

 Part of the  
Whitesales Group



[www.rynogroup.co.uk](http://www.rynogroup.co.uk) 01358 726000

High quality, durable  
roof finishing systems  
for flat and pitched  
roof applications.



**RYNO**  Trim

**RYNO**  Vent

**RYNO**  Drain

**RYNO**  Ridge



## GROUND-BREAKING FINISHING SYSTEMS

Ryno is an innovative company, bringing ground-breaking finishing solutions to the construction sector. Every product within the Ryno family is designed to make life easier, safer and better for you.

Not only do we help you meet day-to-day challenges, but we're always looking ahead to develop breakthrough products that revolutionise the industry.

As long as there are challenges out there, Ryno will meet them head-on, with clever solutions that you'll love.

**Any questions?**  
Give us a call on 01358 726000  
or email us at [sales@rynogroup.co.uk](mailto:sales@rynogroup.co.uk)



Ryno Roofing brings together everything you need to complete your roofing project successfully.

Each product is designed to balance ease of fit and lasting quality, with low maintenance and cost-efficiency.

RYNO Trim

RYNO Drain

RYNO Vent

RYNO Ridge

## **RYNO**Trim

### Roof trims

Our range of RYNOTrim products is manufactured to the highest specification. Simple to handle and install, each system offers high resilience to adverse weather and atmospheric conditions.



GRP Roof Edge Trims

PAGES 6-7

Aluminium Roof Edge Trims

PAGES 8-9

GRP & Aluminium Termination Bars

PAGE 10

Fixings and Bespoke Options

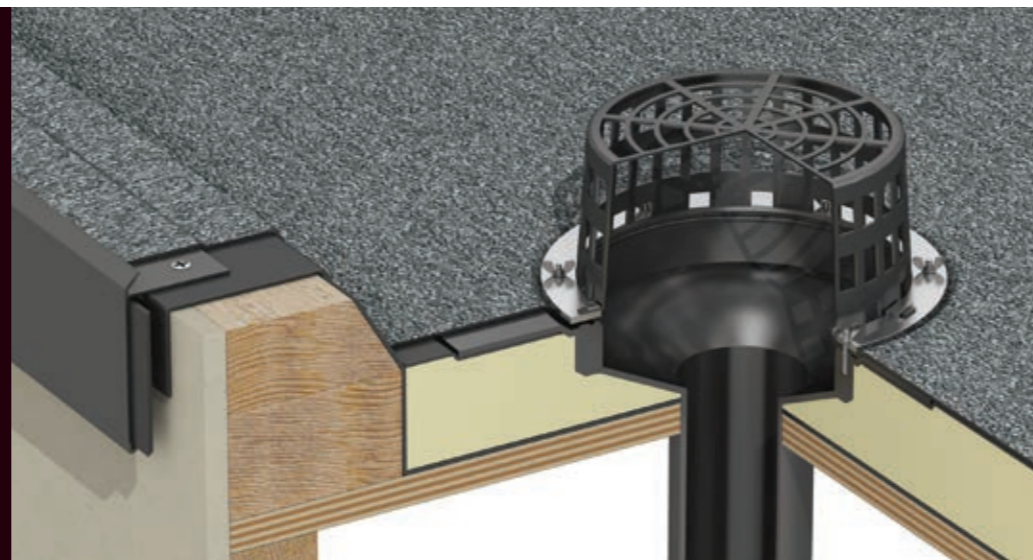
PAGE 11

**RYNO**Trim

## **RYNO**Drain

### Flat roof rainwater outlets

The RYNODrain range of versatile flat roof drainage outlets offers a wide variety of cost-effective systems to suit all forms of flat roof.



Flat Flange Outlets

PAGE 12

Sump Flange Outlets

PAGE 13

Mechanical Fix Flange Outlets

PAGE 14

Horizontal Outlets

PAGE 15

**RYNO**Drain

## **RYNO**Vent

### Roof vents

From breather vents to pipe sleeves, our RYNOVents range offers a wide choice of quality roofing ventilation systems, designed with ease of fit and long-life in mind.



Flat Roof Breather Vents

PAGE 16

Flat Roof Pipe Sleeves

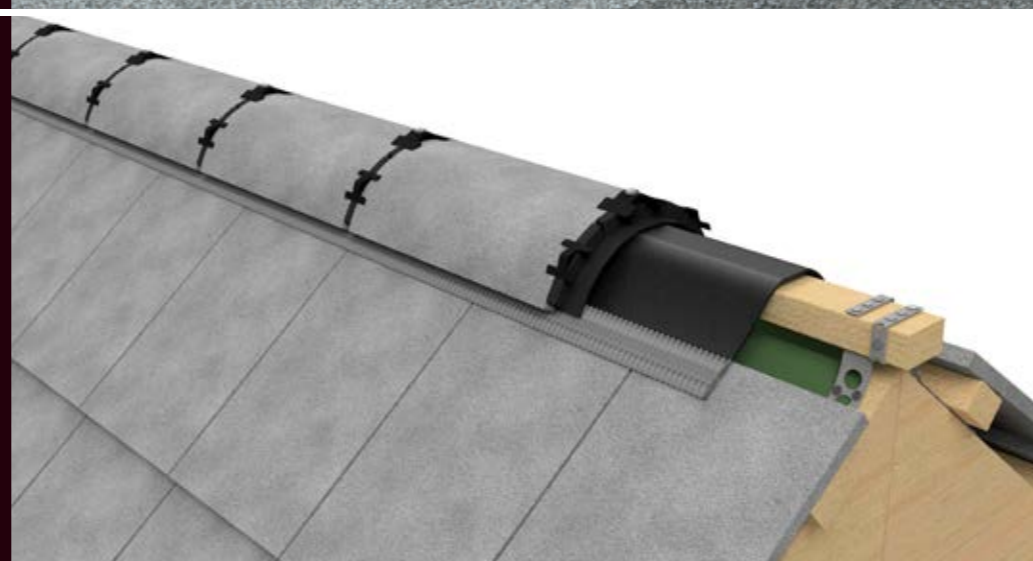
PAGE 17

**RYNO**Vent

## **RYNO**Ridge

### Pitched roof accessories

Unlike traditional sand and mortar mixes, our Dry Fix Ridge System is easy to transport, handle and apply — making modern-day ridge installation faster, safer and more cost-effective.



Dry-Fix Ridge System

PAGE 18

**RYNO**Ridge

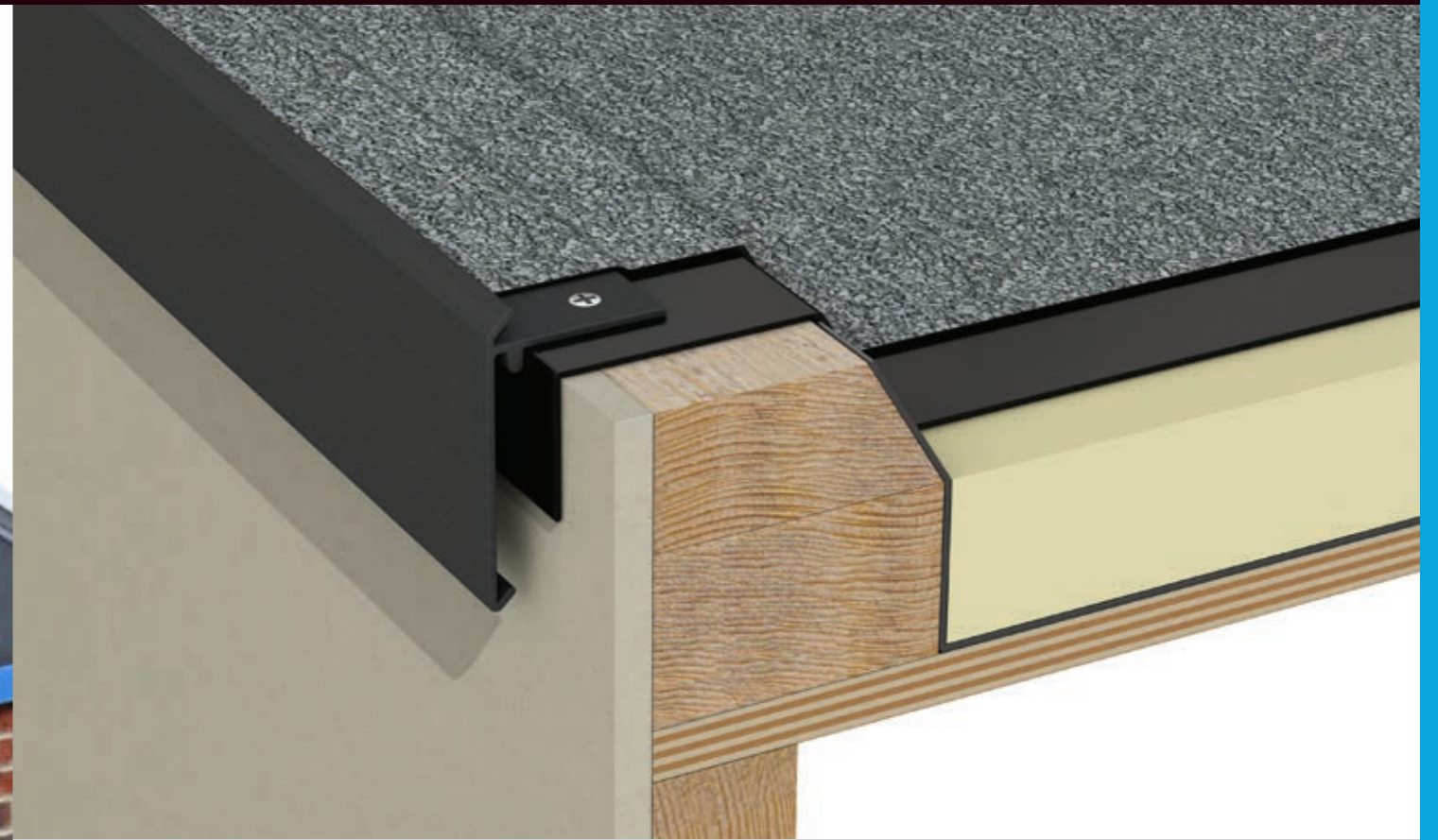
## GRP Roof Edge Trims

This high quality, durable roof edge trim is manufactured from glass fibre reinforced polyester.

These trims will create a neat, unobtrusive and durable finish for the edge of any flat roof.

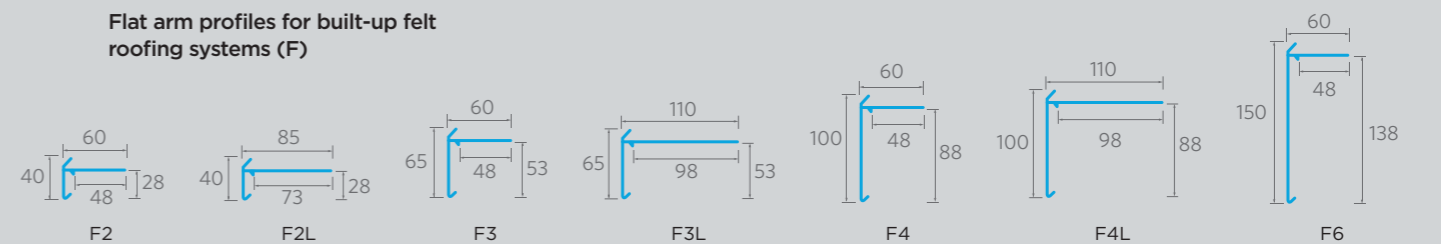
### Features:

- Supplied in 3m lengths
- Hides untidy roof details
- 17 standard profiles
- Simple to handle, work and install
- Will not corrode, rust or dent
- From stock in black, white or grey; bespoke options available
- Suitable for use with most waterproofing types
- Negligible coefficient of expansion, eliminating problem of membranes tearing at trim joint
- Preformed corners available
- UV protected
- Maintenance free

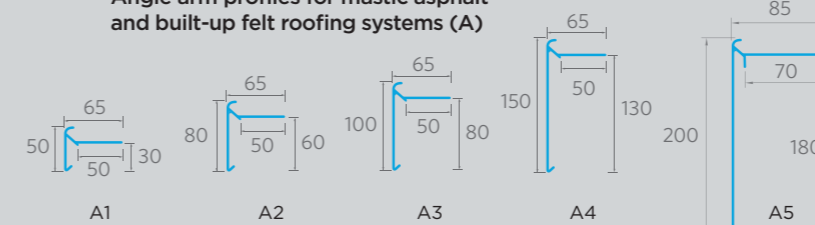


### Profiles:

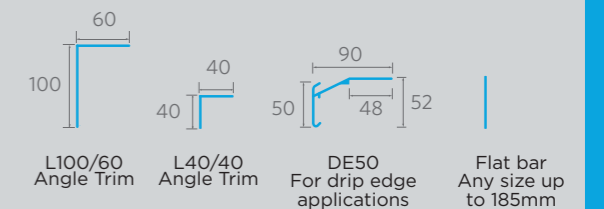
Flat arm profiles for built-up felt roofing systems (F)



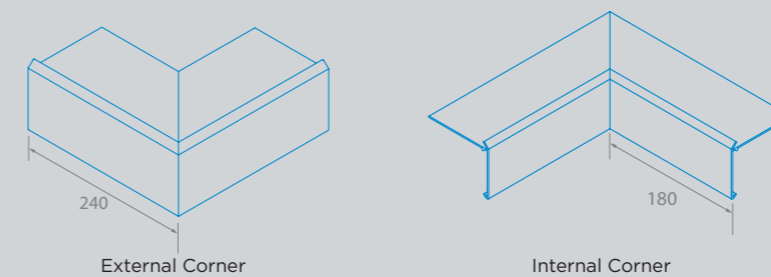
Angle arm profiles for mastic asphalt and built-up felt roofing systems (A)



Drip edge profiles



Preformed corners available on all profiles



All profiles are available in any specified RAL colour.



## Aluminium Roof Edge Trims

Manufactured from extruded aluminium, this high-quality, economical roof edge trim brings a neat finish to any flat roof.

Use it to create a tough, resilient maintenance-free result.

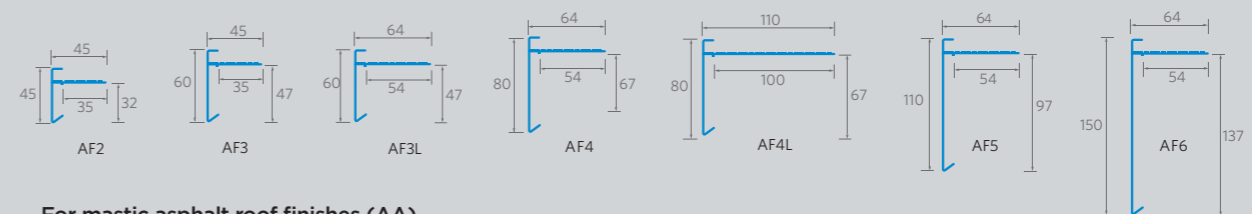
### Features:

- Supplied in 3m lengths
- Economical system
- Simple to handle, work and install
- Hides untidy roof details
- 9 standard profiles
- Mill finish
- Preformed corners available
- Suitable for use with most waterproofing types
- High strength-to-weight ratio
- Maintenance free

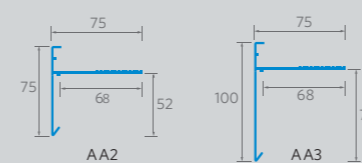


### Profiles:

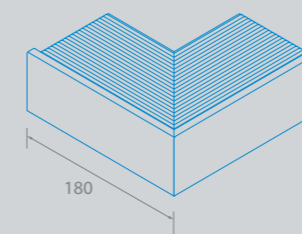
#### Flat built-up felt roofing systems (AF)



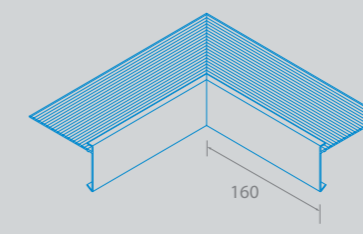
#### For mastic asphalt roof finishes (AA)



#### Preformed corners available on all profiles



External Corner



Internal Corner

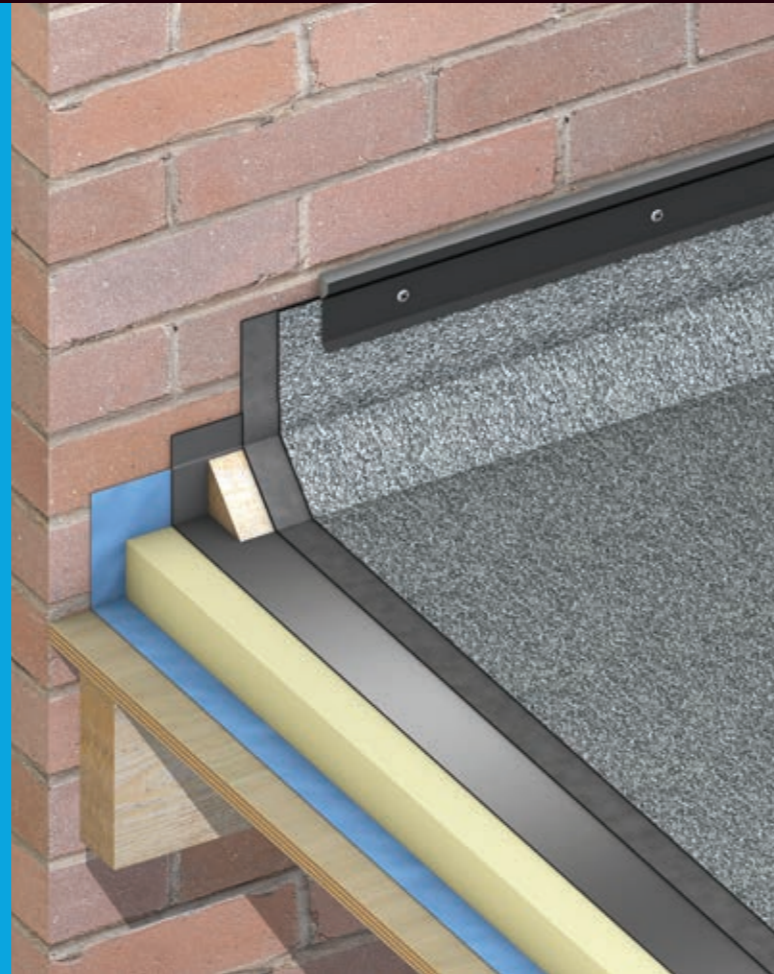
All profiles are available in any specified RAL colour.



## GRP & Aluminium Termination Bars

These top quality durable termination bars are manufactured from either glass fibre reinforced polyester or mill finished aluminium.

A neat and efficient means of terminating roofing and waterproofing membranes at wall abutments, they require no chases to be cut for installation.



## Fixings & Bespoke Options

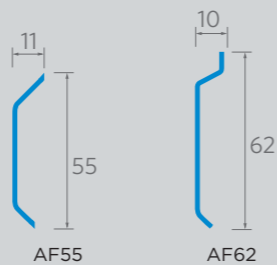
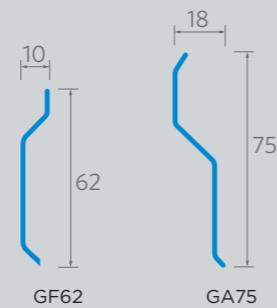
A complimentary range of fixings, sealant and drill bits is available to assist in the correct installation of trim and termination bar products.



### Features:

- Supplied in 3m lengths
- Economical alternative to lead flashing; no need to cut chases
- Neat, unobtrusive appearance
- Fast and easy to install
- 4 standard profiles
- Choose GRP or aluminium
- Suitable for all waterproofing types
- Fix through or cover flashing type available
- Full range of fixings and mastic sealants available
- Maintenance free

### Profiles:



### Fixings, sealant and drill bits

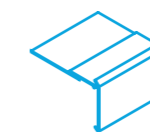
Description	Size	Box quantity
Self tapping screws	4 x 18mm	100
Self tapping screws	5.2 x 45mm	100
Hammer fixings	6 x 40mm	100
Black sealant	—	12
SDS Drill bits	6 x 110mm	N/A

### Specialist applications

Roof trims are available modified to suit specific applications - some examples of modified trims are shown here.



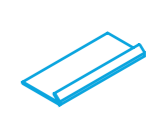
**Notched fixing arm**  
For curved applications



**Extended fixing arm**  
For extra fixing strength



**Top lip removed**  
For drip edge applications

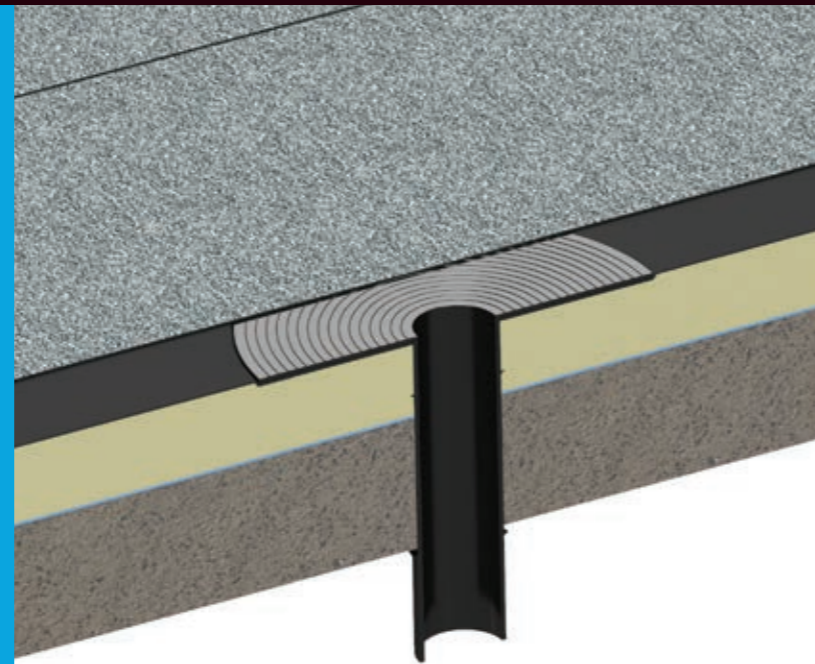


**Felt stop**  
Where no trim face is required

## Flat Flange Outlets

Versatile flat roof drainage outlets, available in six sizes.

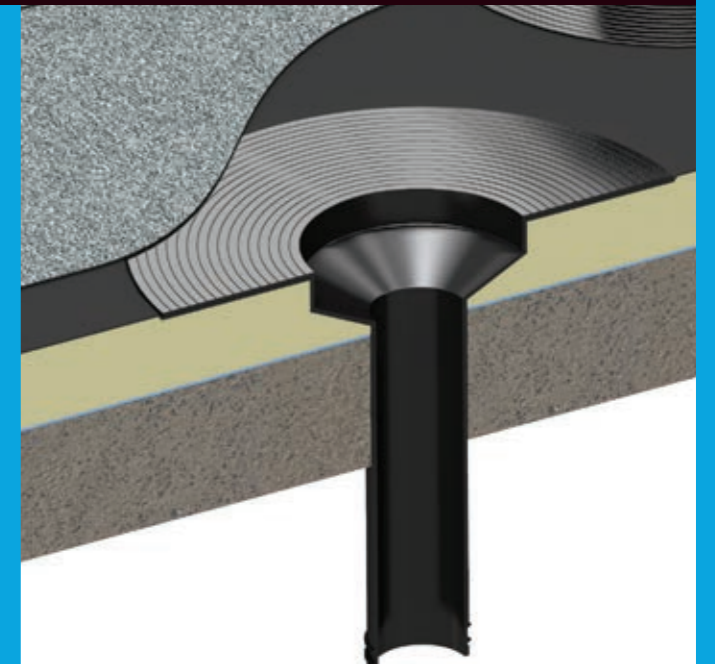
Extremely cost-effective, they are ideal for use in new build or refurbishment applications.



## Sump Flange Outlets

Manufactured to the same technical specification as the flat flange outlet.

Suitable for all types of flat roofing, and also for new build or refurbishment applications.



### Features:

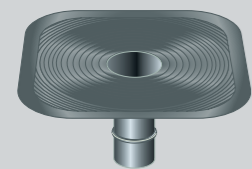
- Available in EPDM for felt or asphalt applications, PVC for PVC membranes, PP for TPO membranes
- Suits all forms of flat roof
- Ribbed push-in downpipe provides a completely leakproof connection to pipework
- Suitable for use within wide temperature ranges
- Leaf guard and gravel grate available

Ref	To suit down pipe size (mm)	Actual External Pipe Size (mm)	Available in
TPF1/50	50	50	EPDM, PVC
TPF2/62.5	62.5	54	EPDM, PVC
TPF2/75	75	66	EPDM, PVC
TPF2/100	100	92	EPDM, PVC
TPF2/110	110	100	EPDM, PVC
TPF2/150	150	148	EPDM, PVC
TPF/LG (leaf guard for flat flange outlet)	—	—	—
TPF/MS (mounting spigot for leaf guard)	—	—	—
TPF/MR (mounting ring for leaf guard)	—	—	—
TPF/BG (balloon guard)	—	—	—

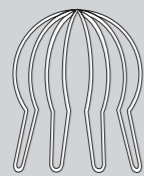
### Features:

- Sump flange increases rate of rainwater flow into the drain
- Available in EPDM for felt or asphalt applications, PVC for PVC membranes, PP for TPO membranes
- Suits all forms of flat roof
- Long downpipe makes it ideal for installation in deep roof slabs
- Leaf guard and gravel grate available

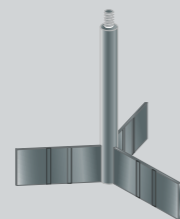
Ref	To suit pipe size (mm)	Available in
TPS/75	75	EPDM, PVC, PP
TPS/100	100	EPDM, PVC, PP
TPS/LG (leaf guard for sump flange outlet)	—	—
TPS/MR (mounting ring for leaf guard)	—	—



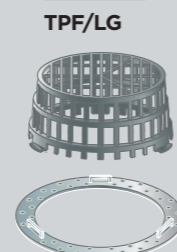
TPF



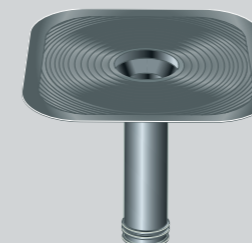
TPF/BG



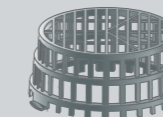
TPF/MS



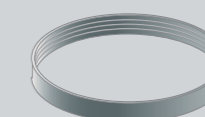
TPF/MR



TPS



TPS/LG

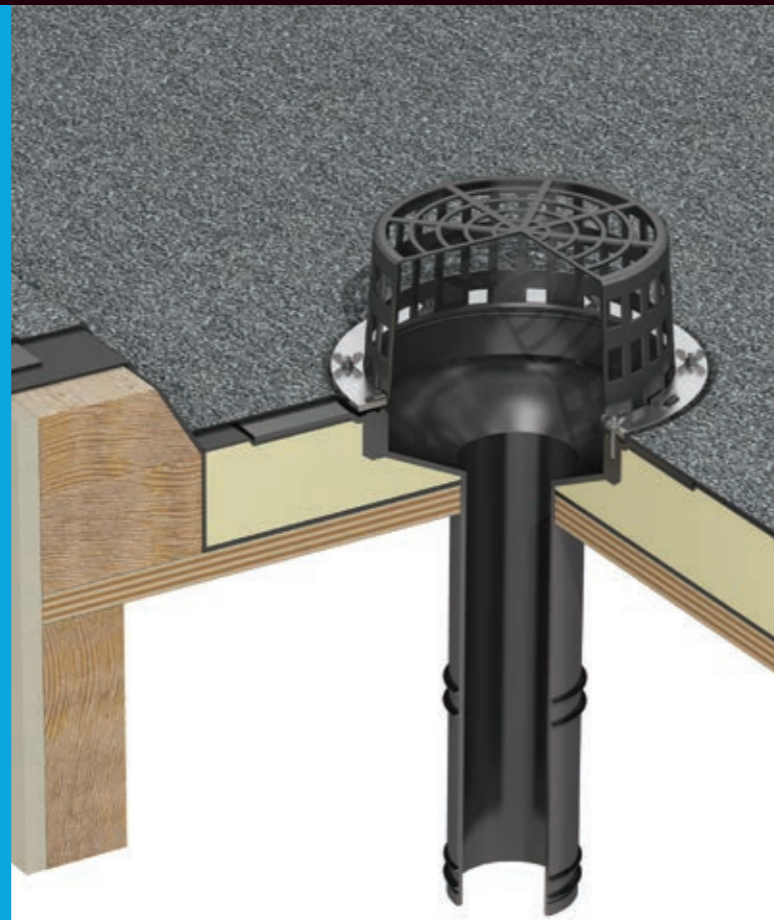


TPS/MR

## Mechanical Fix Flange Outlet

Manufactured to the highest specification, incorporating a clamping ring that creates a secure, leakproof seal between the roofing membrane and rainwater outlet.

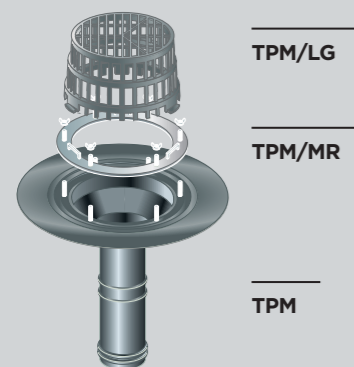
The roofing membrane is dressed over the outlet flange and secured by the mechanically fixed clamping ring which engages over threaded stainless steel studs. The leaf guard simply clips onto the clamping ring.



### Features:

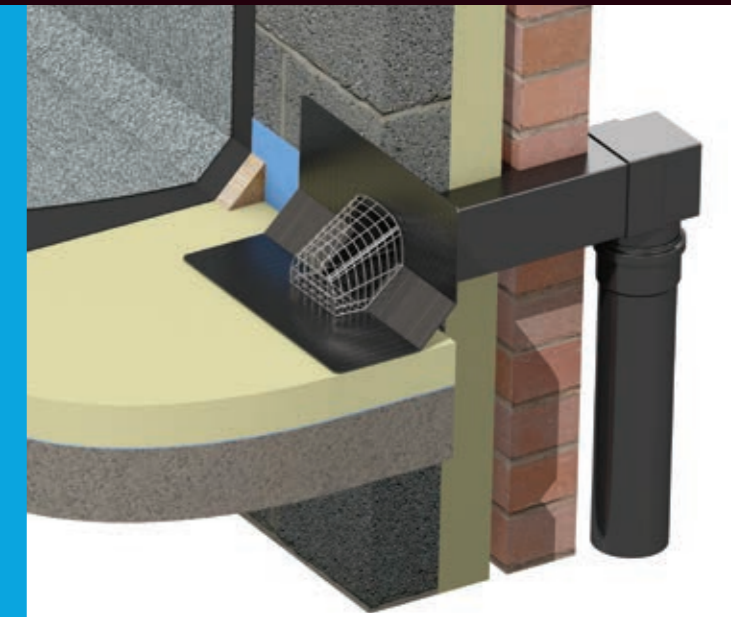
- Creates a secure, leakproof seal between roofing membrane and rainwater outlet
- Highly durable
- Suitable for all atmospheric conditions
- Remains flexible even at low temperatures
- Leaf guard and gravel grate available

Ref	To suit pipe size (mm)	Available in
TPM/75	75	EPDM
TPM/100	100	EPDM
TPM/150	150	EPDM
TPM/LG (leaf guard for mechanical outlet)	—	—



## Horizontal Outlets

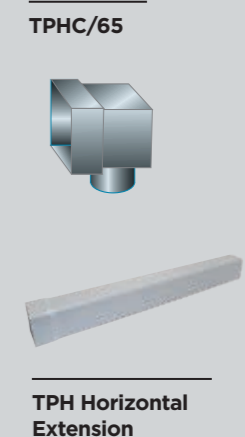
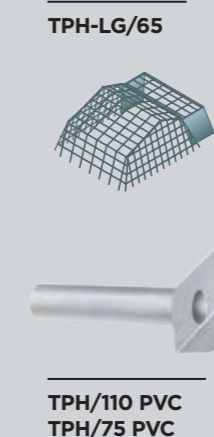
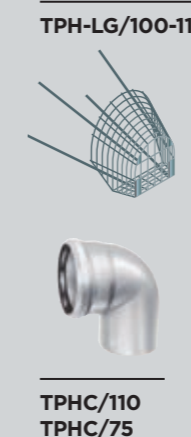
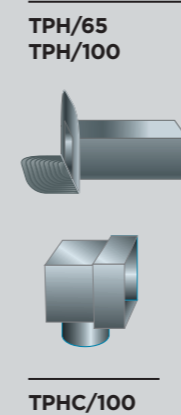
Designed for application at the angle of two intersecting surfaces – for example, where a roof or balcony meets a parapet wall. They can be installed to provide either vertical or horizontal take-off.



### Features:

- Available in EPDM for felt or asphalt applications, PVC for PVC membranes, PP for TPO membranes
- Suits all forms of flat roof
- Leaf guards and gravel grates available

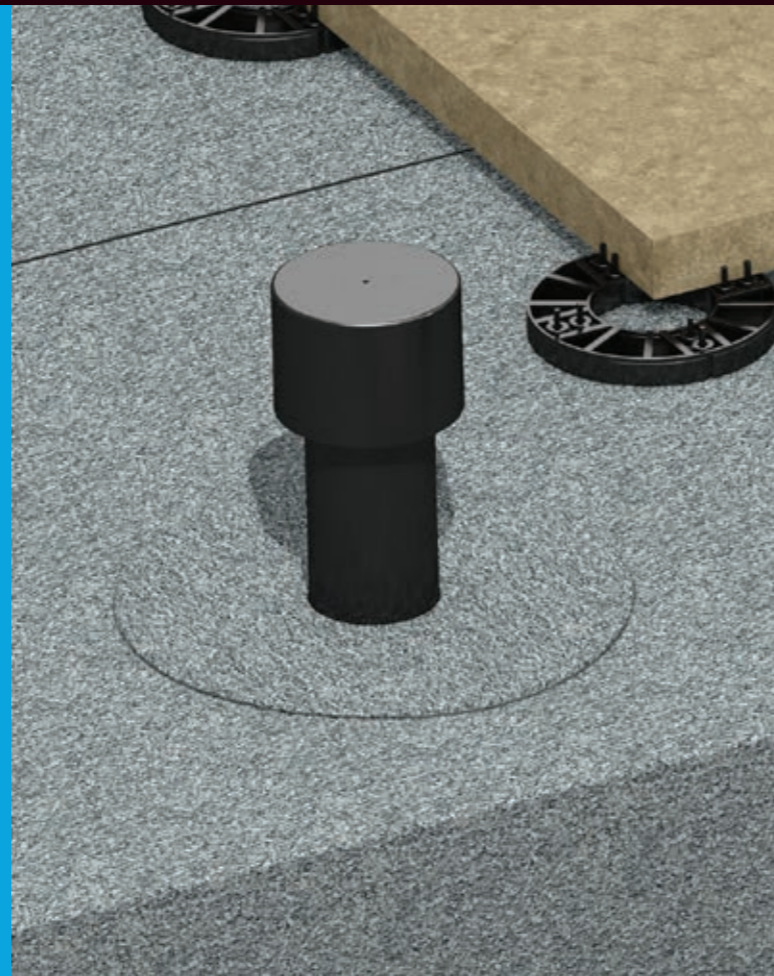
Ref	To suit pipe size (mm)	Available in
TPH/65	65x100	EPDM, PVC, PP
TPH/100	100x100	EPDM, PVC
TPH/75 (round)	75 dia	EPDM, PVC
TPH/110 (round)	110 dia	EPDM, PVC
TPH-LG/65 (leaf guard for TPH-65)	—	—
TPH-LG/100 (leaf guard for TPH-100)	—	—
TPHC/65 (downpipe connector for TPH-65)	—	—
TPHC/100 (downpipe connector for TPH-100)	—	—
TPHC/75 (downpipe connector for TPH-75)	75 dia	EPDM, PVC
TPHC/110 (downpipe connector for TPH-110)	—	—
TPH Horizontal Extension 1000mm	100x100	PVC





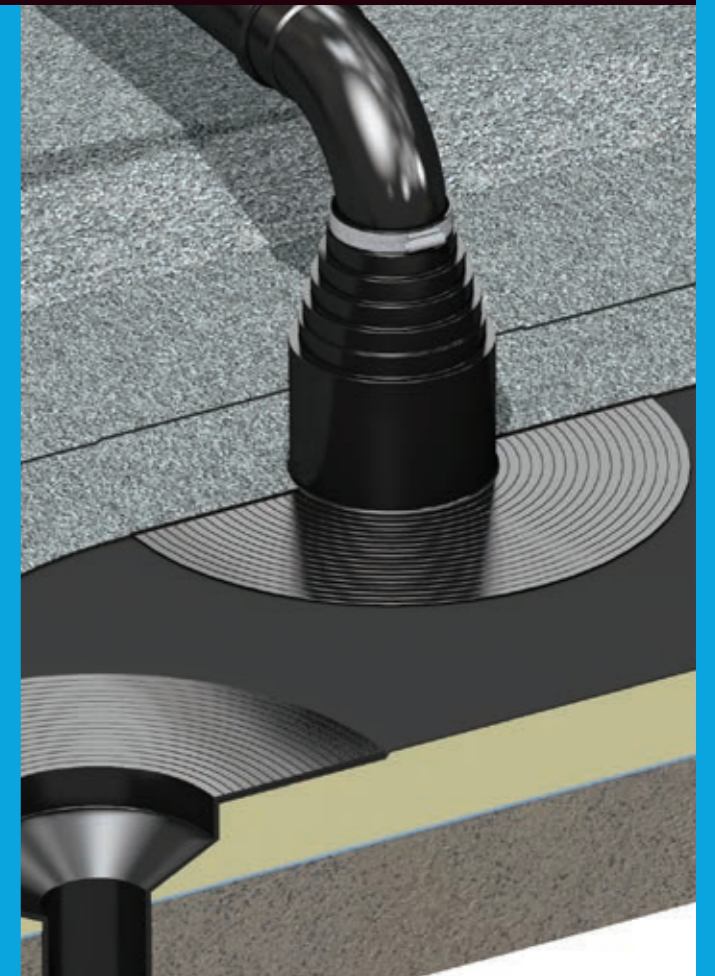
## Flat Roof Breather Vents

Vents are normally required when roofing membranes are laid on concrete screeds in which moisture may be retained from the construction process. The vents release vapour pressure, thus avoiding blistering of the membrane.



## Flat Roof Pipe Sleeves

Pipe sleeves are used where pipework passes through the roof structure. They are a simple and effective means of bonding the pipe to the membrane.



### Features:

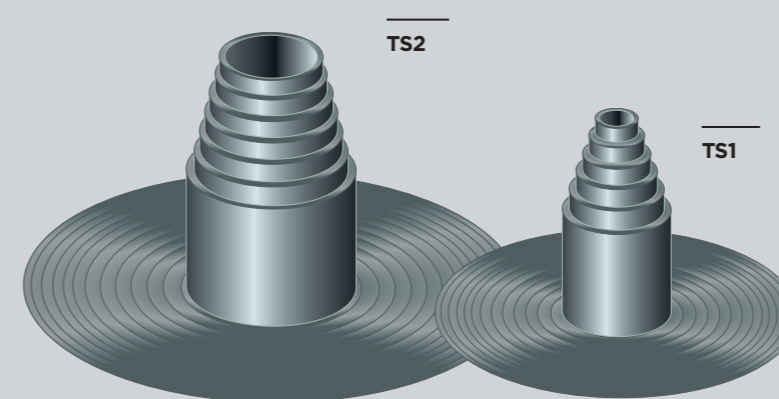
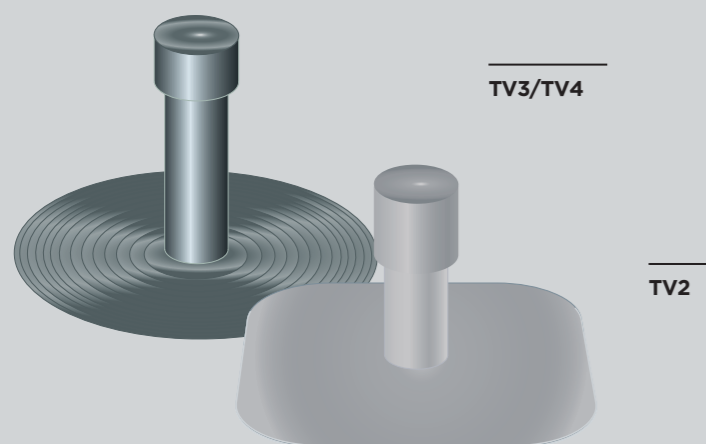
- Breather vents available in EPDM for felt or asphalt applications, PVC for PVC membranes
- Allow water vapour to escape from the structure, avoiding blistering of the membrane

Ref	Diameter (mm)	Available in
TV2	75	PVC
TV3	75	EPDM
TV4	110	EPDM

### Features:

- Available in EPDM for felt or asphalt applications, PVC for PVC membranes

Ref	To suit pipe size (mm)	Available in
TS1	34-90	EPDM, PVC
TS2	75-125	EPDM, PVC



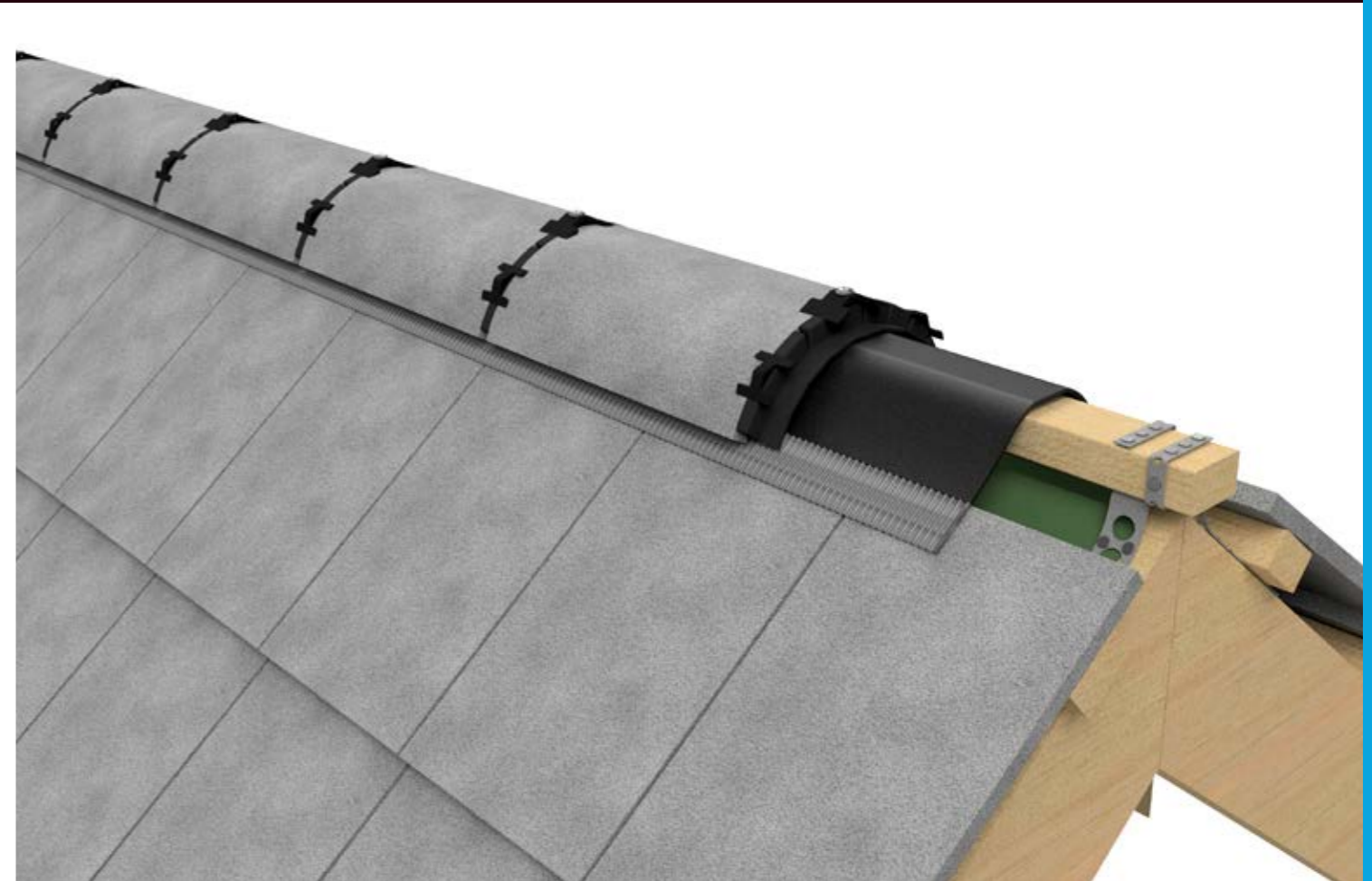
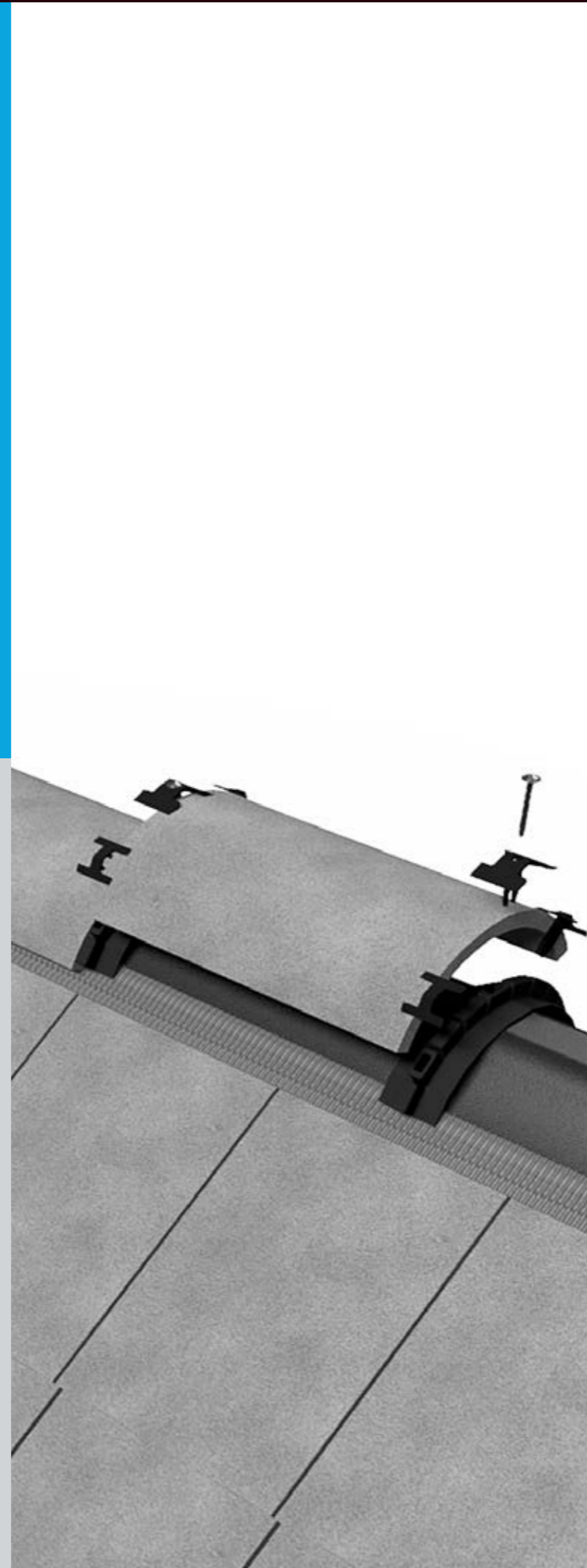
## Dry-Fix Ridge System

This fully compliant Dry-Fix Ridge System can be installed in all weathers. Developed for faster and safer ridge tile installation and simple to install, it creates less mess and has none of the problems that come with mortar.

More extreme weather has led to a change in roofing advice. The latest BS5534 standards recommend dry fixing for ridge tiles. It's safer for building owners, more dependable for roofers, and means no more customer calls to fix common mortar problems.

### Features:

- Faster and easier to achieve perfectly level, secure ridge tiles
- Suitable for ventilated and unventilated roof spaces
- 2 colour choices depending on roof aesthetic and tile colours (RAL 7021 Anthracite & RAL 8019 Brown)
- Complete compliance with NHBC, BS5534 and BS8612 standards
- In stock for next-day delivery from stock throughout the UK
- 1200mm Hip trays are available
- Extra fixing packs available to fit clay tiles (6 per pack)



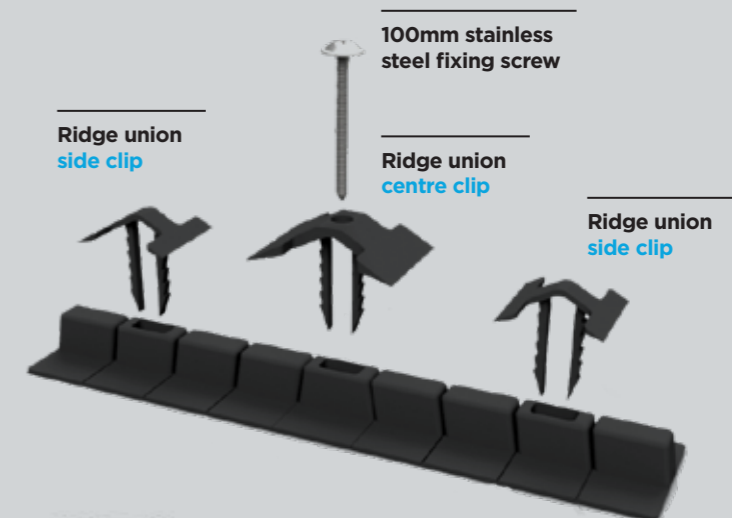
### Components:



Ridge roll



Batten support bracket

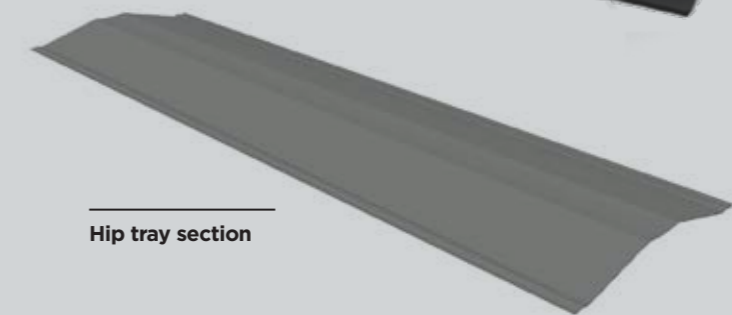


100mm stainless steel fixing screw

Ridge union side clip

Ridge union centre clip

Ridge union side clip



Hip tray section



# **RYNO**<sup>®</sup> ROOFING

ROOF FINISHING SYSTEMS

**Ryno Ltd.**

CastlePoint  
Castle Way, Ellon  
AB41 9RG

01358 726000  
sales@rynogroup.co.uk  
[rynogroup.co.uk](http://rynogroup.co.uk)

 Part of the  
Whitesales Group

**RYNO**  Trim

**RYNO**  Vent

**RYNO**  Drain

**RYNO**  Ridge