

Uniclass L5:P7113			
Cl/SfB	(4-)	Hn7	01/20

Swish[®]
BUILDING PRODUCTS

Installer's Handbook

Pocket Guide to Roofline & Cladding Installation



BS 7619
Licence No. KM33730



www.greenbookkive.com



FS 681825



EMS 681826



OHS 690332



ENMS 620926

The Specifier's Choice for
Cellular PVC Roofline & Cladding

CONTENTS

	Page No.
General Information	3 - 4
Access Systems	
Health & Safety	
Asbestos	
Storage & Handling	
Cutting and Shaping	
Off-cuts	
Fascia Boards	
Fixing Centres	
Expansion Gaps	
Sealants	
Ventilation Guidelines	
Roofline Range	5 - 7
25mm, 20mm and 16mm Profiles	
Corners and Joints	
Soffit Boards	
Over Fascia Ventilation	
General Trims	
Decorative Options	8
Decorative Elements	
Roof Spires	
Bracing Bars	
Cladding Range	9
Cladding Profiles	
Cladding Trims	
Roofline Installation Details	10 - 13
Preparation Check List	
Sequence of Work	
Box End Construction	
Gable Construction	
Decorative Roofline	
Fascia for Flat Roofs	
Cladding Installation Details	14 - 15
Sequence of Work	
Trim Options	

Access Systems

SAFETY FIRST!

Never attempt to access the work area with an unsupported ladder or without a stable deck. Always use a full scaffold platform or a purpose made cantilevered deck system with guard rails in place.

Health and Safety

Full health and Safety information is available on request.

Asbestos

By law all asbestos materials must be removed by trained operatives under strictly controlled conditions. If you suspect that asbestos is present you should consult your Local Authority.

Storage & Handling

Load and unload by hand and support both ends of a 5m length when handling. Stack no higher than 1m, in packing sleeve on a flat base. Avoid contact with solvents, paint, creosote, bitumen etc.

Cutting/Shaping

Use conventional carpentry tools including fine toothed saws. Power tools may be run at speeds appropriate for timber. Nail and screw holes do not require pre-drilling.

Off-Cuts

Contractors for new build and refurbishment works should be aware that larger off-cuts from some boards may have been scheduled for use in other areas of the installation and should be handled carefully until their use is established.

Fascia Boards - Load Bearing

Swish 20mm and 16mm thick boards are able to support the weight of the lower row of tiles without the need for a tilt fillet or kick plate.

Fixings

Swish A4 grade stainless steel plastic headed nails or capped screws.

Board	Fixing	Code	Size	Qty	Max Centres
Fascias	All Nail	C083	65mm	2	
	25mm Screw	C073	65mm	2	
	20mm Screw	C072	50mm	2	White 600mm
	16mm Screw	C072	50mm	2	Foiled 400mm
Polo & Gee Pee	Nail	C081	40mm	2	Colours 400mm
	Screw	C071	40mm	2	
Cappit (9mm)	Nail	C082	50mm	2	White Only 600mm
	Screw	C071	40mm	2	
Cladding*					
White**	Nail	C204	30mm	1	600mm to 2 storeys 400mm 2 to 3 storeys
300mm max for 300mm plank					
Foiled**	Nail	C204	30mm	1	400mm

*Designed for use up to 3 storeys (18m max) and 1m from boundaries.

**Note: Ensure plank ends are always nailed

Expansion Gaps

Always leave a minimum 4mm expansion gap at the end of each board, ie where two boards meet leave 8mm overall.



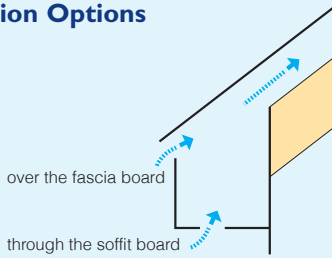
Sealants

Use Swish low modulus silicone. Use a primer when bonding to GRP, stainless steel, aluminium or untreated wood. Do not use with polycarbonate sheet.

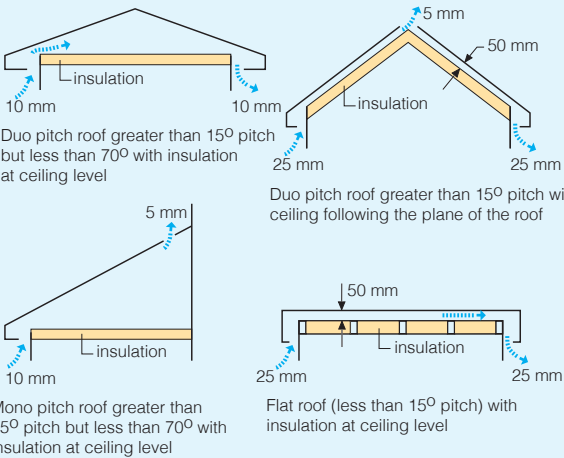
Ventilation

IMPORTANT - Roof voids must be ventilated in order to stop warm air condensing on cold surfaces. Condensation encourages rot and mould growth.

Ventilation Options



These diagrams show the minimum air path dimensions required under the current Building Regulations



Compliance with these ventilation standards is required on all buildings, except those that were constructed without ventilation provision or predate the Buildings Regulations. However Swish recommends that adequate ventilation is provided on all refurbishment projects regardless of age.

For further information on UK Building Regulations please contact the Swish Technical Department on 01827 317200

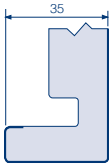




ROOFLINE RANGE

Replacement Fascia Boards

Jumbo™



Square Jumbo™



Ogee Jumbo™

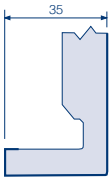


Bullnose Jumbo™



Tudor Board

16mm Thick Fascias



Square



Ogee



Bullnose



Flat

Refurbishment Fascia Boards



Cappit™



Ogee Cappit™

Corners & Joints



External Corner



Internal Corner



Joint



Joint



Square External Corner



Face Fix Corner



Face Fix Joint



Internal Joint 135°



External Joint 135°





ROOFLINE RANGE

Soffit Boards



Gee Pee™



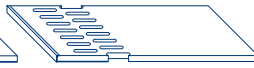
300mm Fluted



TeeGee™ Cladding



Polo™ (10mm air path)



Polo™ (25mm air path)



150mm Open V Polo™



125mm TeeGee Polo™



Ventilators (air path)



Angle Ventilator
(10 & 25mm)



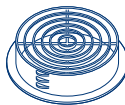
Soffit/Wall
(10mm)



Soffit/Soffit
(10 & 25mm)



Fascia/Soffit
(25mm)

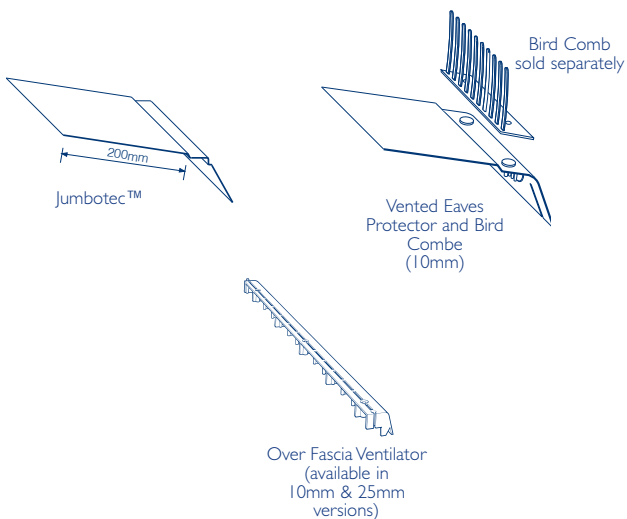


Circular Soffit Ventilator

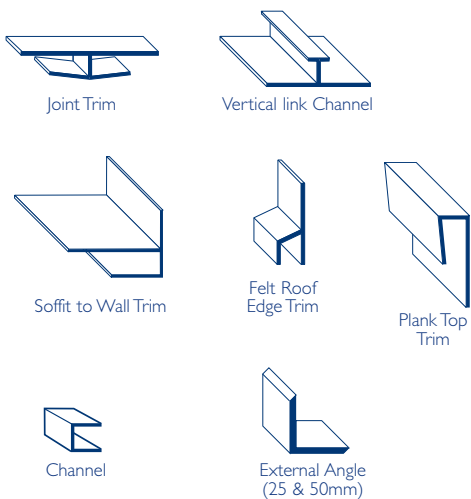




ROOFLINE RANGE Over Fascia Protection & Ventilation



General Purpose Trims





ROOFLINE RANGE

Decorative Roofline



Decorative Roofline Convex (16mm thick)



Decorative Roofline Concave (16mm thick)



Roofstyle Convex 450mm



Roofstyle Concave 450mm

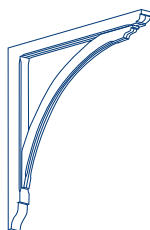
Gallows & Dentils



Feature Corbel



Small Gallows Bracket



Large Gallows Bracket

Decorative Elements



Spire
Flat back



Spire
3D



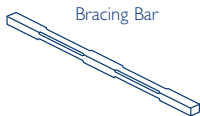
Spire
Flat back



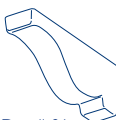
Ball
Finial



Apex



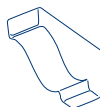
Bracing
Bar



Dentil 01



Dentil 02



Dentil 03

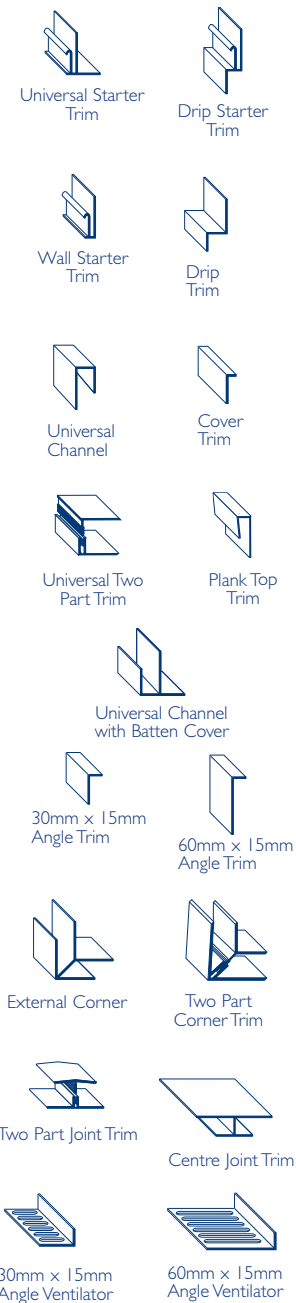
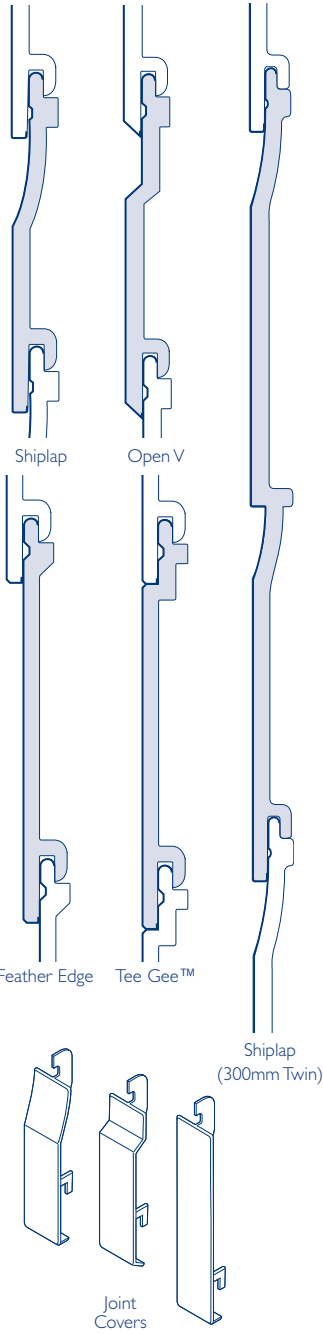


Dentil 04



CLADDING RANGE

Cladding Trims



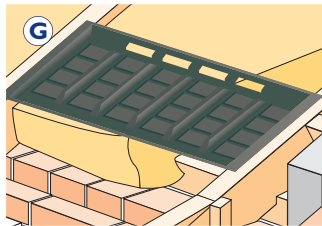
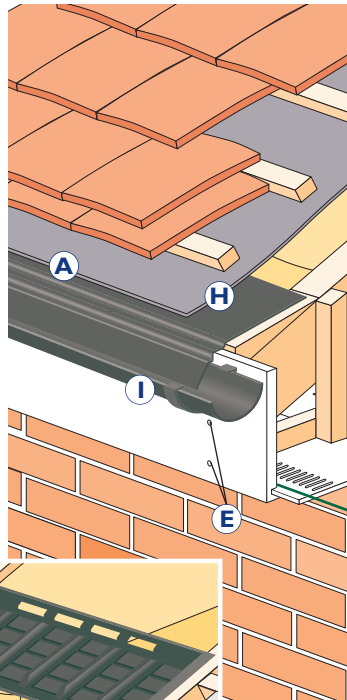
Roofline Installation

Preparation Checklist

- Use safe access equipment (p3).
- Inspect for asbestos (p3).
- Push back lower rows of tiles.
- Remove enough gutter, fascia, and soffit for one day's work only.
- Inspect rafters/laths and replace rotted timbers.
- Ensure fixing points available at maximum centres: white 600mm, foiled/colours 400mm.
- Check proposed ventilation system (p4).

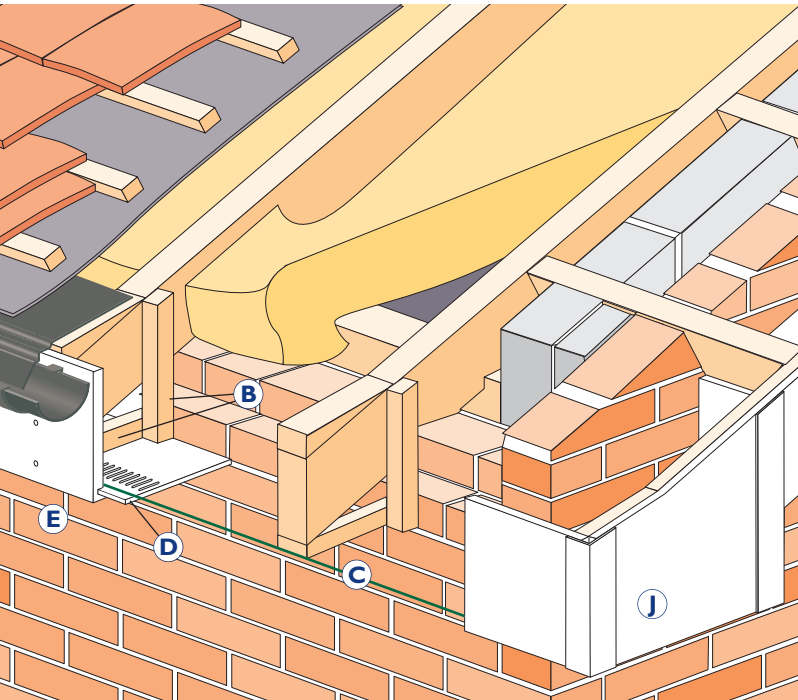
Sequence of Work

- A.** Cut back rotted felt to a clean edge.
- B.** Fit suitable timber hangers (preservative treated) to support soffit boards. Screw to rafter sides checking for level. Deep soffits must be nailed every 200mm max. across their depth. Set up support at hipped corners.
- C.** Set up string lines to check vertical/horizontal faces of rafter feet and hangers for straight and level.
- D.** Nail soffit board to hanger. Inner edge of soffit abuts to wall or sits on bricks. Outer edge of soffit should over hang by 10mm to fit groove in back of fascia board.
- E.** Nail fascia board to rafter feet with sufficient height to create tile kick. Allow for height of over fascia ventilator if required.
- F.** Make soffit and fascia joints between rafters.
- G.** Eaves ventilation trays may be required to ensure air flow past roof insulation material.
- H.** Underdress existing felt with DPC material or Jumbotec. New material must dress into the gutter.
- I.** Fit gutter brackets directly to replacement fascias of 16mm and above, in accordance with manufacturer's recommendations. Ensure correct gradient (fall) in the gutter to the down pipe.
- J.** Box end construction, see p12.

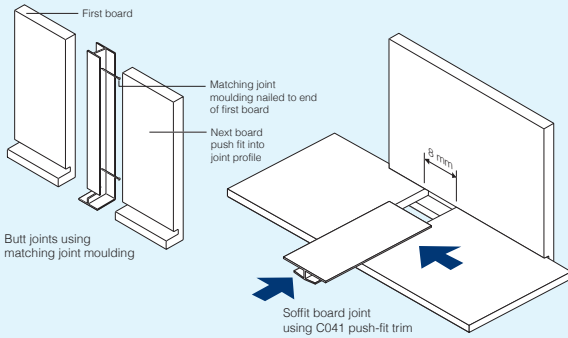


Notes for Over-Capping

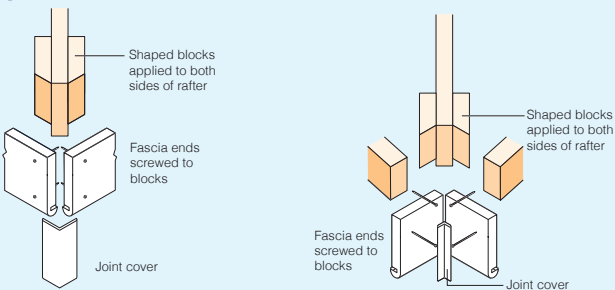
1. The expansion gaps and fixing centres detailed on page 3 apply.
2. All over-capped timber must be sound.
3. The existing timber fascia must support the weight of tiles at the eaves.



F Joints



B Support blocks at hipped corners

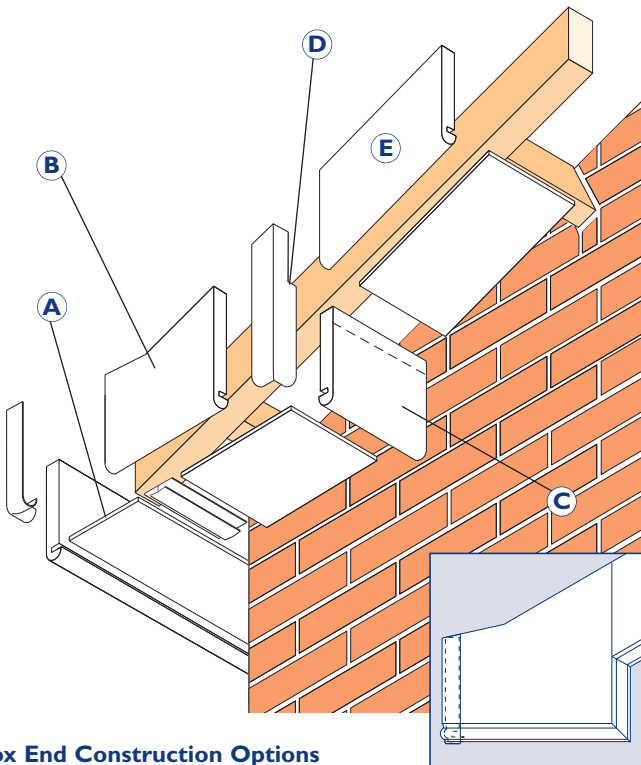


Box End Construction

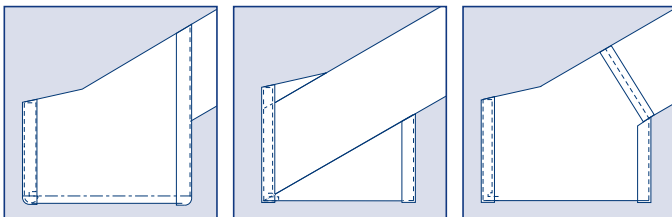
- A.** Finish fascia level with the face of the rafter gable. Soffit should over hang by 10mm and may be cut square or mitred.

Note: Timber hangers should be installed as required to locate box end structure.

- B.** Measure and cut box end from a deep board. Front edge should tilt up to match height of fascia board.
- C.** Measure and cut fascia to form the return to gable wall.
- D.** Remove section from corner joint to fit around rafter.
- E.** Fix bargeboard directly to gable rafter.

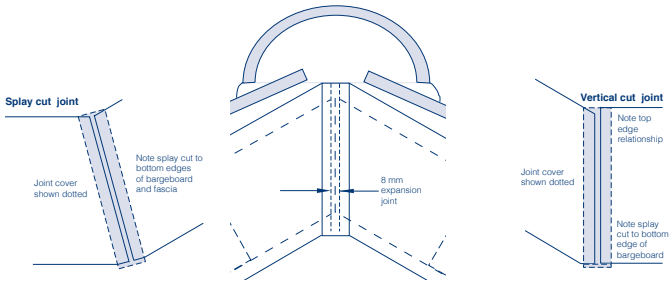


Box End Construction Options



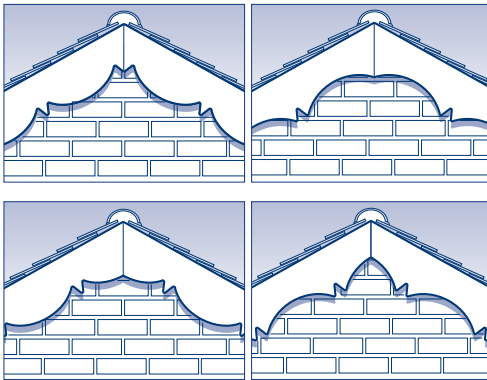


Gable/In-line Gable Construction



Bargeboard/Gable detail with vertical and splay cut joint options.

Decorative Roofline

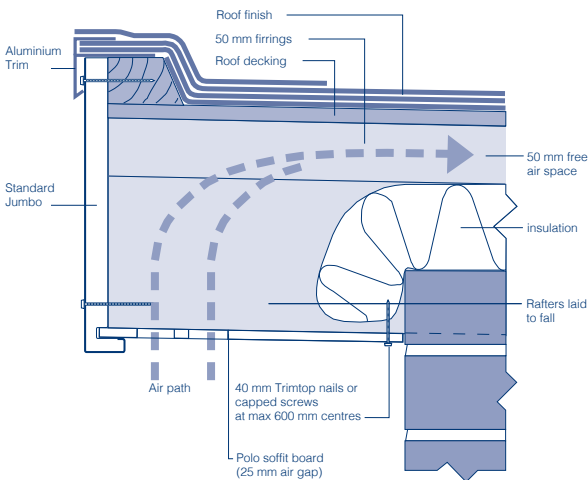


The decorative edge of the concave and convex boards allows flexibility of design at the apex.

Note - The chamfered edge of the board faces to the rear.



Fascia for Flat Roofs



Cladding Installation

Sequence of Work

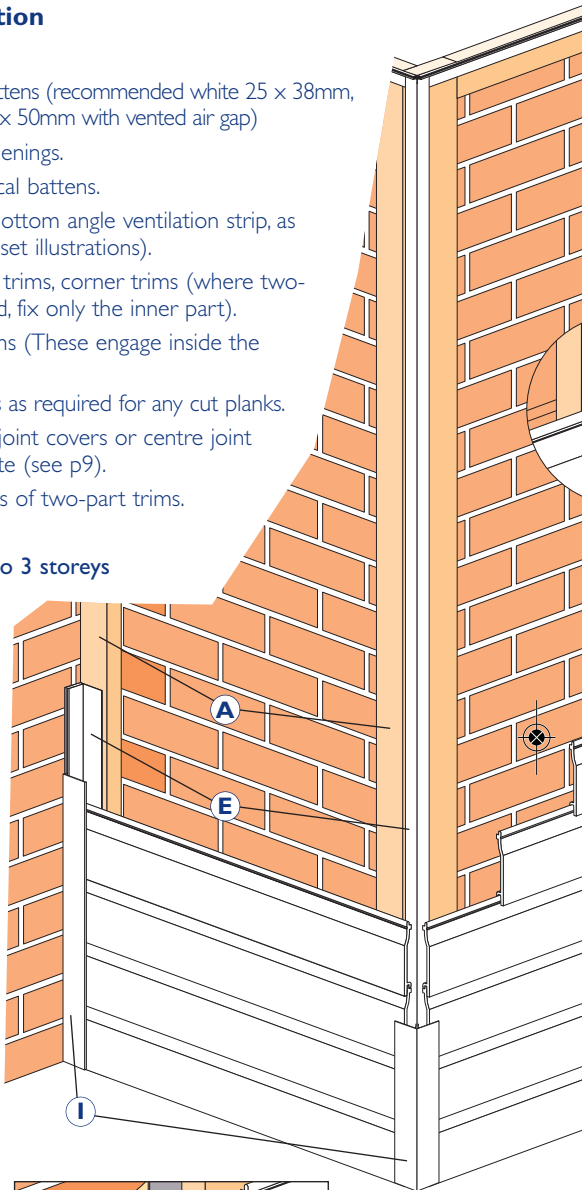
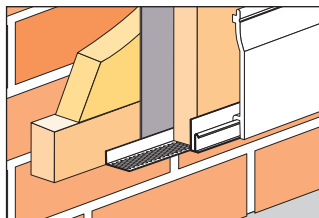
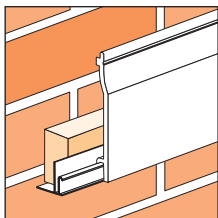
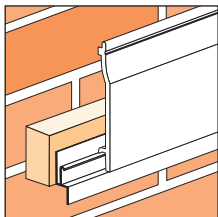
- A.** Perimeter frame battens (recommended white 25 x 38mm, foiled & colours 50 x 50mm with vented air gap)
- B.** Battens around openings.
- C.** Intermediate vertical battens.
- D.** Starter trims (or bottom angle ventilation strip, as appropriate, see inset illustrations).
- E.** Vertical perimeter trims, corner trims (where two-part trims are used, fix only the inner part).
- F.** Top perimeter trims (These engage inside the vertical trims).
- G.** Packings to battens as required for any cut planks.
- H.** Plank profiles and joint covers or centre joint trims as appropriate (see p9).
- I.** Outer components of two-part trims.

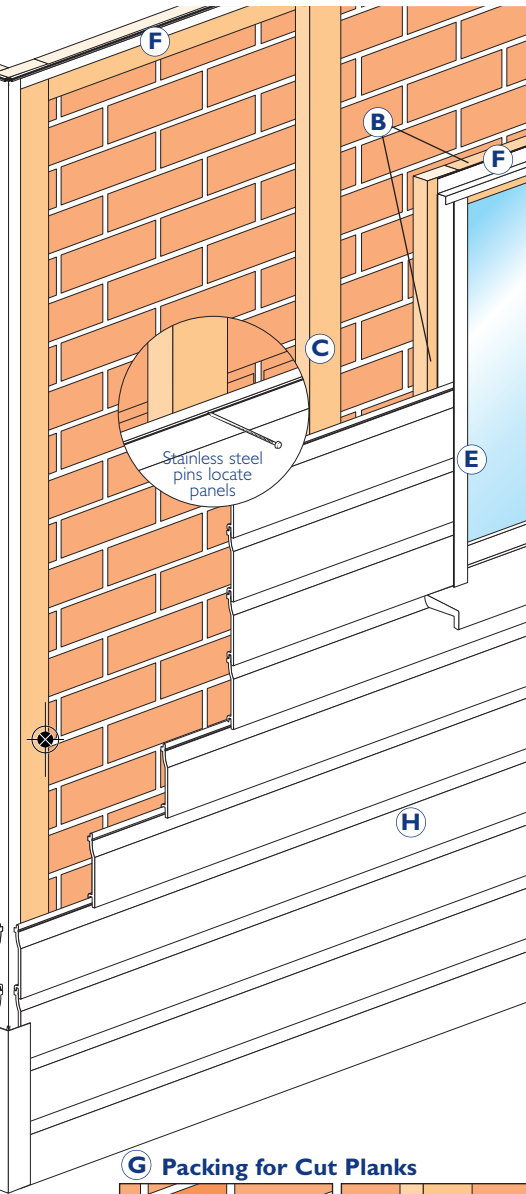
Note:

Designed for use up to 3 storeys
(18m max) and
1m from boundaries.

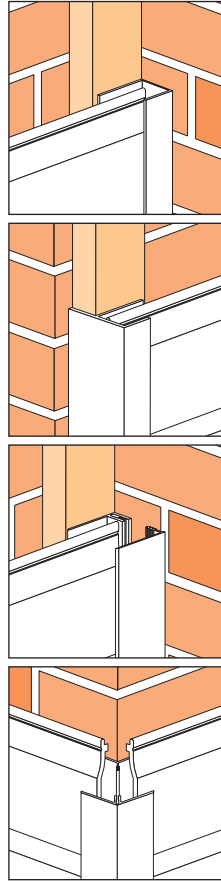
For maximum fixing
centres see p3.

D Starter Trims

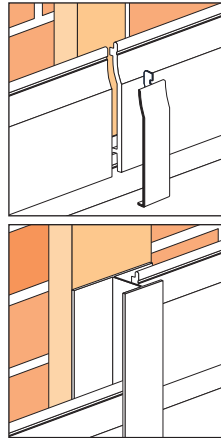




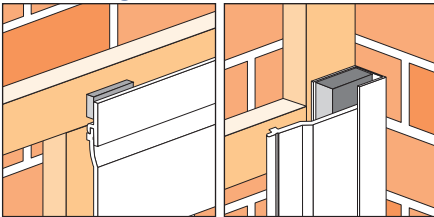
E Trim Options



H Joint Options



G Packing for Cut Planks



This installation guide is intended to provide a basic outline of the methods employed in installing Swish PVC Roofline and Cladding Products. For a comprehensive guide please consult the Swish Design & Specification Guides:

**Roofline (A227)
Cladding (A226)**

Swish[®]
BUILDING PRODUCTS

Pioneer House, Lichfield Road Ind. Estate,
Tamworth, B79 7TF

Tel: (01827) 317200 Fax: (01827) 317201
e-mail: information@swishbp.co.uk
www.swishbp.co.uk

Swish, Tee Gee, Polo, Jumbo and Jumbotec
are all registered trademarks

Ref. A430