



# Here to help

## UNIVERSAL EAVES VENT SYSTEMS

Marley Universal Eaves Ventilation Systems are designed to provide a continuous 10mm or 25mm free ventilation path at low level. The 10mm PLUS system is ideal for maintaining a continuous ventilation path for roofs with a low pitch and deep insulation.



## Tell me more

Call 08705 626400  
Email [info@marley.co.uk](mailto:info@marley.co.uk)  
Or visit [marley.co.uk](http://marley.co.uk)

Marley, Lichfield Road, Branston,  
Burton upon Trent, DE14 3HD

December 2018

### Fascia height settings (mm) for Universal 10mm eaves vent system and eaves vent system PLUS (without gutter spacer)

Pitch	12.5°	15°	17.5°	20°	22.5°	25°	27.5°	30°	32.5°	35°	37.5°	40°	42.5°	45°	47.5°	50°	55°
Anglia	-	-	16	16	16	16	16	16	16	16	16	16	16	16	16	16	16
Ashmore	-	-	-	-	28	28	28	28	28	28	28	28	28	28	28	28	28
Double Roman	-	-	15	15	15	15	15	15	15	15	15	15	15	15	15	15	15
Edgemere range	-	-	21	21	21	21	21	21	21	21	21	21	21	21	21	21	21
Ludlow Major	-	-	16	16	16	16	16	16	16	16	16	16	16	16	16	16	16
Ludlow Plus	-	-	15	15	15	15	15	15	15	15	15	15	15	15	15	15	15
Lincoln	-	-	16	16	16	16	16	16	16	16	16	16	16	16	16	16	16
Maxima	-	-	36	36	36	36	36	36	36	36	36	36	36	36	36	36	36
Melodie	25	25	25	25	25	25	25	25	25	25	25	25	25	25	25	25	25
Mendip	-	14	14	14	14	14	14	14	14	14	14	14	14	14	14	14	14
Modern/Duo Modern	-	-	29	29	29	29	29	29	29	29	29	29	29	29	29	29	29
Plain	-	-	-	-	-	-	-	26	26	26	26	26	26	26	26	26	26
Wessex	-	22	22	22	22	22	22	22	22	22	22	22	22	22	22	22	22

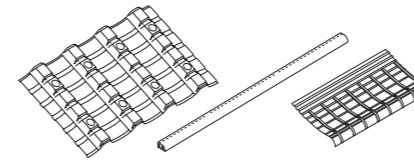
### Fascia height settings (mm) for Universal 25mm eaves vent system (without gutter spacer)

Pitch	12.5°	15°	17.5°	20°	22.5°	25°	27.5°	30°	32.5°	35°	37.5°	40°	42.5°	45°	47.5°	50°	55°
Anglia	-	-	1	1	1	1	1	1	1	1	1	1	1	1	1	1	1
Ashmore	-	-	-	-	9	9	9	9	9	9	9	9	9	9	9	9	9
Double Roman	-	-	-1	-1	-1	-1	-1	-1	-1	-1	-1	-1	-1	-1	-1	-1	-1
Edgemere range	-	-	5	5	5	5	5	5	5	5	5	5	5	5	5	5	5
Ludlow Major	-	-	2	2	2	2	2	2	2	2	2	2	-6	-6	-6	-6	-6
Ludlow Plus	-	-	0	0	0	0	0	0	0	0	0	0	0	0	0	0	0
Lincoln	-	-	1	1	1	1	1	1	1	1	1	1	1	1	1	1	1
Maxima	-	-	17	17	17	17	17	17	17	17	17	17	17	17	17	17	17
Melodie	14	14	14	14	14	14	14	14	14	14	14	14	14	14	14	14	14
Mendip	-	0	0	0	0	0	0	0	0	0	0	-10	-10	-10	-10	-10	-10
Modern/Duo Modern	-	-	12	12	12	12	12	12	12	12	12	12	12	12	12	12	12
Plain	-	-	-	-	-	-	-	8	8	8	8	8	8	8	8	8	8
Wessex	-	8	8	8	8	8	8	8	8	8	8	8	8	8	8	8	8

### Fascia height settings (mm) for Universal 25mm eaves vent system (with gutter spacer)

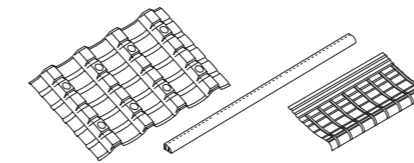
Pitch	12.5°	15°	17.5°	20°	22.5°	25°	27.5°	30°	32.5°	35°	37.5°	40°	42.5°	45°	47.5°	50°	55°
Anglia	-	-	2	2	2	2	2	2	2	2	2	-8	-8	-8	-8	-8	-8
Ashmore	-	-	-	-	7	7	7	7	7	7	7	7	7	7	7	7	7
Double Roman	-	-	-4	-4	-4	-4	-4	-4	-4	-4	-4	-4	-4	-4	-4	-4	-4
Edgemere range	-	-	3	3	3	3	3	3	3	3	3	3	3	3	3	3	3
Ludlow Major	-	-	0	0	0	0	0	0	0	0	0	-8	-8	-8	-8	-8	-8
Ludlow Plus	-	-	2	2	2	2	2	2	2	2	2	-10	-10	-10	-10	-10	-10
Lincoln	-	-	2	2	2	2	2	2	2	2	2	-8	-8	-8	-8	-8	-8
Maxima	-	-	14	14	14	14	14	14	14	14	14	14	14	14	14	14	14
Melodie	8	8	8	8	8	8	8	8	8	8	8	8	8	8	8	8	8
Mendip	-	-4	-4	-4	-4	-4	-4	-4	-4	-4	-4	-12	-12	-12	-12	-12	-12
Modern/Duo Modern	-	-	18	18	18	18	18	18	18	18	18	18	18	18	18	18	18
Plain	-	-	-	-	-	-	-	3	3	3	3	3	3	3	3	3	3
Wessex	-	4	4	4	4	4	4	4	4	4	4	4	4	4	4	4	4

### Components



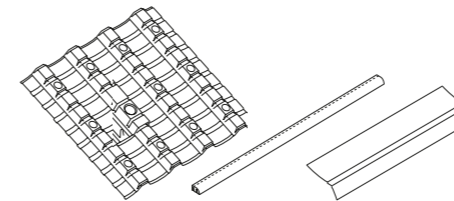
10mm eaves vent pack (6 metres)  
(code 46350)

Packs contain: 6 No. over fascia ventilators (10mm), 1 No. continuous rafter roll, 10 No. felt support trays.



25mm eaves vent pack (6 metres)  
(code 46351)

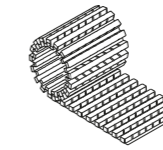
Packs contain: 6 No. over fascia ventilators (25mm), 1 No. continuous rafter roll, 10 No. felt support trays.



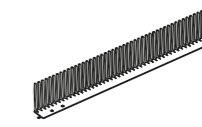
10mm eaves PLUS vent pack (6 metres)  
(code 46354)

Packs contain: 6 No. over fascia ventilators (10mm), 1 No. continuous rafter roll (600mm depth), 7 No. felt support trays.

### Ancillary components

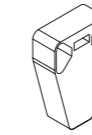


Continuous rafter roll pack (2 x 6m)  
(code 46323)



Comb filler strip pack (6 x 1m)  
(code 30425)

For use with profiled tiles



Gutter spacers  
(20 per pack)  
(code 46353)

## FIXING INSTRUCTIONS

# Universal Eaves Vent Systems



## Installation

Before commencing work, check that fascia or tilting fillet is fixed to correct height for type of tile and rafter pitch being used, taking into account height of over fascia ventilator and comb filler strip (if required). Ensure that eaves course tiles are laid in the same plane.

Note: 25mm warm roof constructions (when ventilating the roof space). Dependent on gutter type, consideration should be given to maintaining a sufficient airpath behind the gutter. This can be achieved using gutter spacers (available separately). Contact the technical advisory service for further information.

1 Roll out continuous rafter roll over full length of eaves rafters so that wall plate is as close as possible to the centre of the roll.

2 Pull and adjust to correct rafter centres and twice nail, using 25mm long aluminium nails (Fig 1).

Note: The continuous rafter roll fits rafters from 400-600mm centres. Ensure that insulation extends over wall plate into eaves, to prevent cold bridging. To ensure insulation does not block the ventilation path, it may be necessary to:

- Use two courses of rafter roll (additional rafter roll can be purchased separately)

OR

- Use the 10mm Universal Eaves Vent PLUS system which comes with a 600mm wide rafter roll and robust underlay support tray as standard.

3 Place over fascia ventilator (OFV) on top of fascia board or tilting fillet with location stop hard up against front of board.

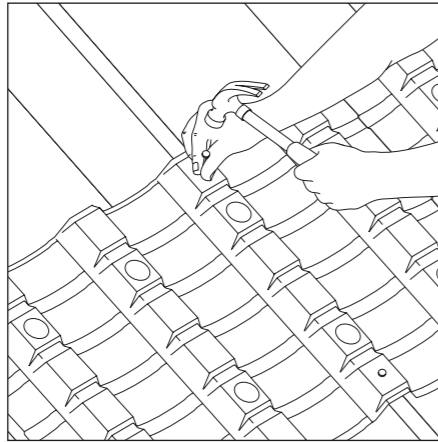


Fig 1

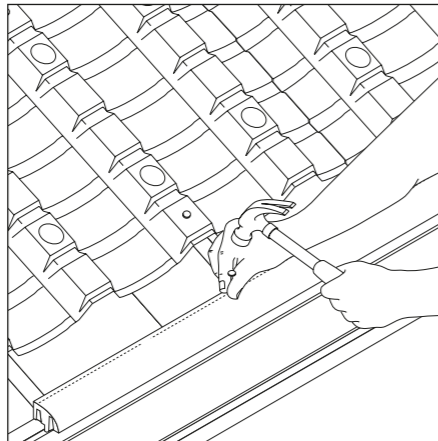


Fig 2

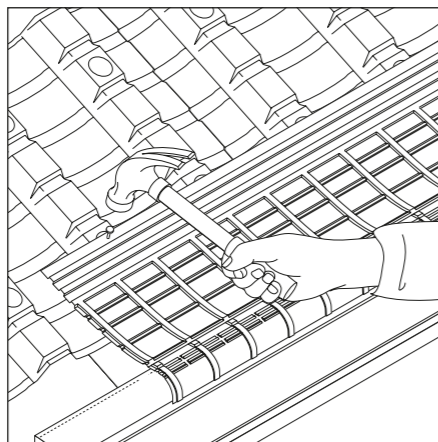


Fig 3

4 Nail to top of fascia or tilting fillet using 45mm x 3.35mm (10mm OFV) or 60mm x 3.35mm (25mm OFV) aluminium nails at every nail hole position (Fig 2).

Note: To assist with correct fascia height dimensions, allowance should be made for height of strip ventilator.

5 Place felt support trays over the over fascia vent strips and nail to rafters, using 45mm x 3.35mm (10mm OFV) or 60mm x 3.35mm (25mm OFV) nails. (Fig 3).

6 For 10mm and 25mm standard kits, the underlay support tray should be laid so that the curved front edge dresses down over the fascia vent unit towards the gutter (each tray provides 600mm effective cover) (Fig 4).

For the 10mm Eaves Vent System PLUS, align the flat section of the extruded underlay support tray with the top of the over-fascia ventilator (Fig 5).

7 Lay the underlay over the support tray stopped approx. 25mm from the top of the front edge of the felt support tray. (Fig 6).

Underlays with integrated tape – such as those supplied by Marley – should be adhered to the support tray (Fig 7).

8 When profiled tiles are used, fit a comb eaves filler strip to prevent ingress of birds and vermin into roof void or batten space. Locate over the felt support tray such that the eaves comb is directly above the OFV strip.

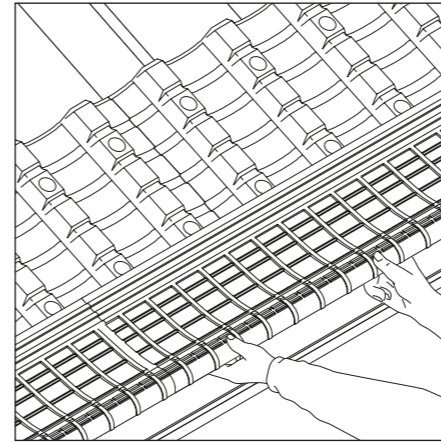


Fig 4

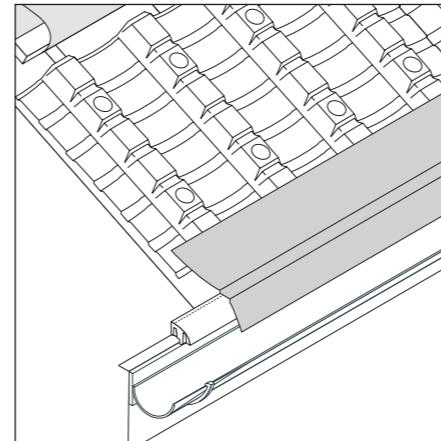


Fig 5

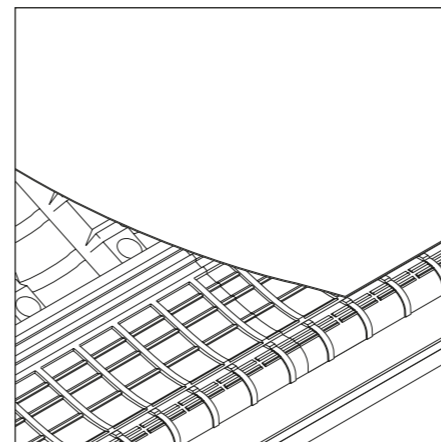


Fig 6

9 Nail comb eaves filler strip to top of fascia board using 45mm x 3.35mm (10mm OFV) or 60mm x 3.35mm (25mm OFV) aluminium nails at every nail hole position (Fig 8).

10 Where eaves course tiles require fixing with clips, nail appropriate eaves clip through OFV strip and into fascia board, using 45mm x 3.35mm (10mm OFV) or 60mm x 3.35mm (25mm OFV) nails.

## Ventilating the batten cavity using 25mm eaves vent system

1 Install the roofing underlay over the rafters, ensuring sufficient drape into the gutter (Fig 9).

Notes: Timber fillets or plywood strip should be fitted at each rafter to provide support for the underlay into the gutter. Underlay support trays are not required for this type of construction. Use only suitable UV resistant membranes at the eaves.

2 Install counter battens on top of the underlay at each rafter. Roofing battens should then be installed as normal on top of the counter battens.

3 Install over fascia ventilator on top of fascia board, using 60mm x 3.35mm nails at every nail hole position.

4 When profiled tiles are used, install a comb filler strip.

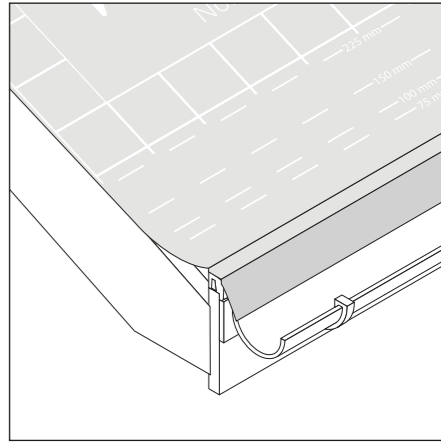


Fig 7

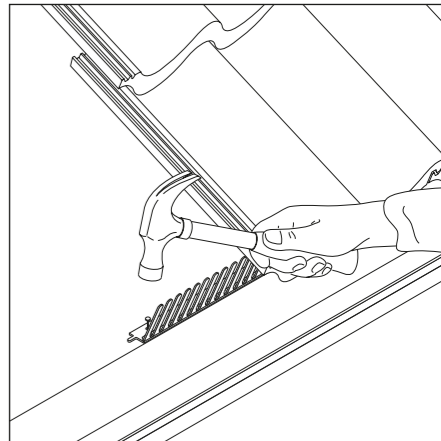


Fig 8

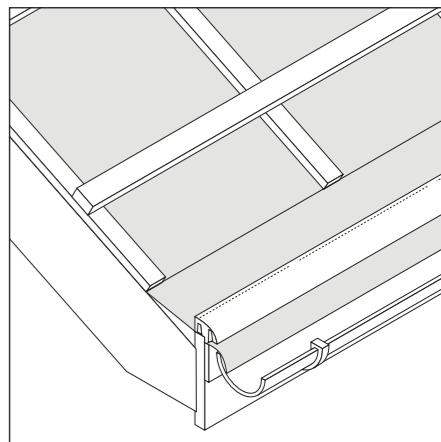


Fig 9 – 10mm Eaves Vent System PLUS