

1

Install the underlay and tiling or slating battens as normal. If ventilating the roof space below the underlay, ensure that top edge of the underlay is sufficiently open to permit the flow of ventilating air; ideally fold back and tack in place.

2

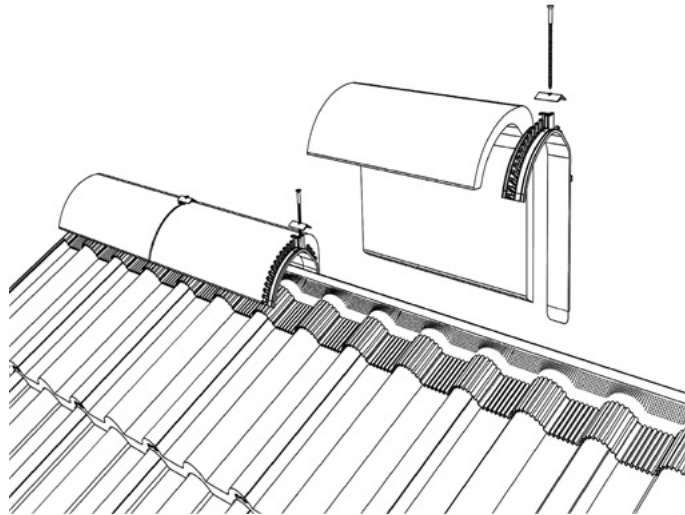
The construction detail and availability of fixing timbers at a mono-ridge line may vary for different installations. It may be necessary to install a continuous timber batten or rail along the ridge line at a suitable height to facilitate the screw and plate fixing of the ridge tiles. Any timbers for ridge tile fixing should be screwed or fixed securely to prevent uplift using the metal straps and nails.

3

Fix the top tiling or slating battens and complete the tiling or slating in the usual manner ensuring that a ventilation gap is maintained where required.

4

Lay the Rollflex strip along and parallel to the ridge line ensuring that there is no sag where any water may collect, and that ventilating air path is maintained through the ventilating holes in the strip. The ridge tile edges should sit on corrugated metal edges of the Rollflex strip leaving no more than 10 to 15mm exposed beyond the tile. The opposite side of the Rollflex edge should be tacked or adhered using the adhesive strip to the vertical face of the wall behind to prevent any flapping of the centre fabric section in high winds.



5

Peel off the protective tape from the adhesive strip on the Rollflex and press down firmly onto a clean, dry and dust free tile or slate surface. For profiled tiles, care should be taken to ensure that the Rollflex follows the tile profile closely to provide continuous surface contact. Subsequent lengths should be overlapped by 100mm. At the gable end, the Rollflex should be trimmed down the face of the verge for a cloaked or dry fix application or trimmed back by approximately 50mm where a bedded verge is used.

Supplementary fixing kit is available HD MONO DFRK/1X:
60x Mono Uni-Ridge Gaskets
60x 100mm Stainless Steel Screws
60x Ridge Fixing Plates

To find out more, visit our website.

6

Place the ridge tiles along the ridge and join using the flexible gasket, screw and plate provided by fixing through the Rollflex and into the ridge timbers ensuring that the ridges are butted up tight to the gasket. The gasket length is designed for universal use therefore ends may be trimmed where they protrude when using smaller ridge tile types. The mono ridge tiles should also be fixed through the vertical leg of the tile into a ridge batten, fascia board or wall in accordance with the tile manufacturers recommendations.

7

At the ends of the ridge, whether using a block-end ridge or ridge end cap, the last ridge tile should be drilled and an additional screw and plate used to secure the tile to the ridge timbers.

NOTES:-

The Rollflex should be stored at temperatures not exceeding 35°C.

It is recommended that the installation of the Rollflex strip be suspended when external temperatures fall below 5°C or exceed 30°C.

The tile or slate surface to be adhered to by the Rollflex strip should be clean and dry and free from dust, debris, grease and other contaminants.

The Rollflex strip should be installed ensuring that the ventilating membrane is not stretched and that both the membrane and the adhesive strips are not exposed to direct UV solar radiation.

