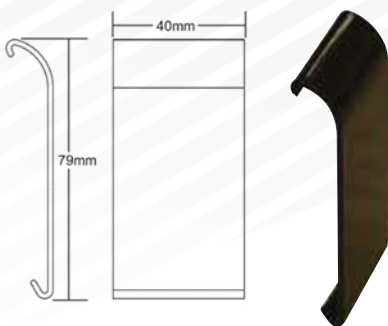


TRIM ACCESSORIES

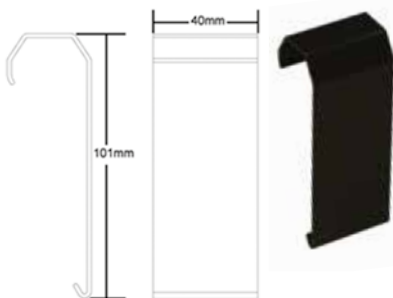


FIX-R Gutter Trim Cover Clip

- Smooth, hi-gloss finish - exact colour match to the trims
- No need for pinning into place
- Manufactured to give a perfect fit to the trims

Description

Designed to simply clip over the gutter front plate. The bottom edge hooks under the trim and the top is simply clipped over the top of the gutter front plate. This is universal for both batten back plate and standard FIX-R Gutter Trim.



FIX-R Check Kerb Cover Clip

- Smooth, hi-gloss finish - exact colour match to the trims
- No need for pinning into place
- Manufactured to give a perfect fit to the trims

Description

Designed to simply clip over the FIX-R Check Kerb Trim. The bottom edge hooks under the trim and the top is simply clipped over the top of the FIX-R PVC Perimeter Trim.

Typical Properties & Characteristics

Material	u-PVC
Colour	Black or white

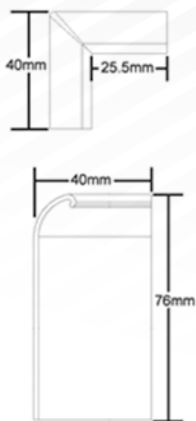


FIX-R Gutter Trim Corners - Internal

- Smooth, hi-gloss finish - exact colour match to the trims
- No need for pinning into place
- Manufactured to give a perfect fit to the trims
- Low profile to give a seamless finish

Description

Designed to match the profile of the FIX-R Gutter Trim. These simply fit over the top of the trims and are adhered in place with superglue.



FIX-R Gutter Trim Corners - External

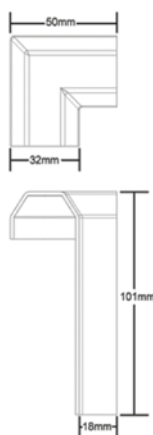
- Smooth, hi-gloss finish - exact colour match to the trims
- No need for pinning into place
- Manufactured to give a perfect fit to the trims
- Low profile to give a seamless finish

Description

Designed to match the profile of the FIX-R Gutter Trim. These simply fit over the top of the trims and are adhered in place with superglue.

Typical Properties & Characteristics

Material	u-PVC
Colour	Black or white

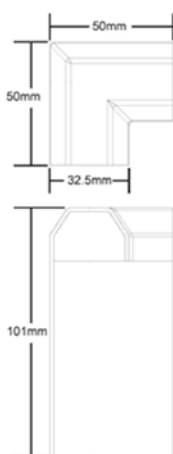


FIX-R Gutter Trim Corners - Internal

- Smooth, hi-gloss finish - exact colour match to the trims
- No need for pinning into place
- Manufactured to give a perfect fit to the trims
- Low profile to give a seamless finish

Description

Designed to match the profile of the FIX-R Check Kerb Trim. These simply fit over the top of the trims and are adhered in place with superglue.



FIX-R Gutter Trim Corners - External Corner/Stop Ends

- Smooth, hi-gloss finish - exact colour match to the trims
- No need for pinning into place
- Manufactured to give a perfect fit to the trims
- Low profile to give a seamless finish

Description

Designed to match the profile of the FIX-R Check Kerb Trim. These simply fit over the top of the trims and are adhered in place with superglue.

These are universal corners with removable blanking plates that allow the component to be either a corner & a left or right stop end.

Typical Properties & Characteristics

Material	u-PVC
Colour	Black or white