

Duracoat Multi Angle Ridge

Product Technical Information Sheet

Size of Unit 457 x 250 x 90mm

Minimum Coverage of Roof Tile 75mm

Colours:
 Antique Slate
 Red Multi
 Natural Red

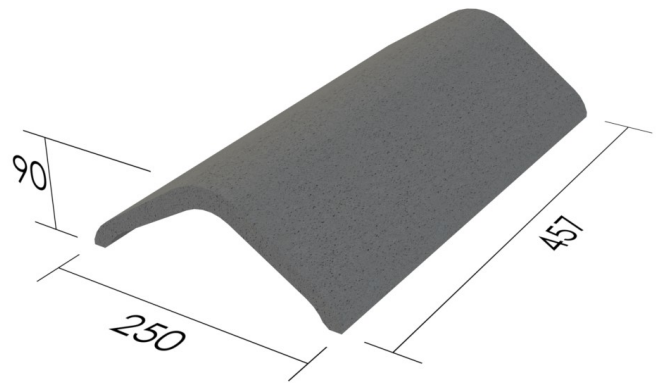
Weight Per Ridge 5.35kg

Weight Per Pallet 856kg

Quantity Per Pallet 160

Quantity Per Band 5

Material Concrete



Compatible Accessories

Profile Ridge System

Roll Ridge System

Roll Hip System

Ridge End Cap

Mortar Bedded Ridge Fixing Kit

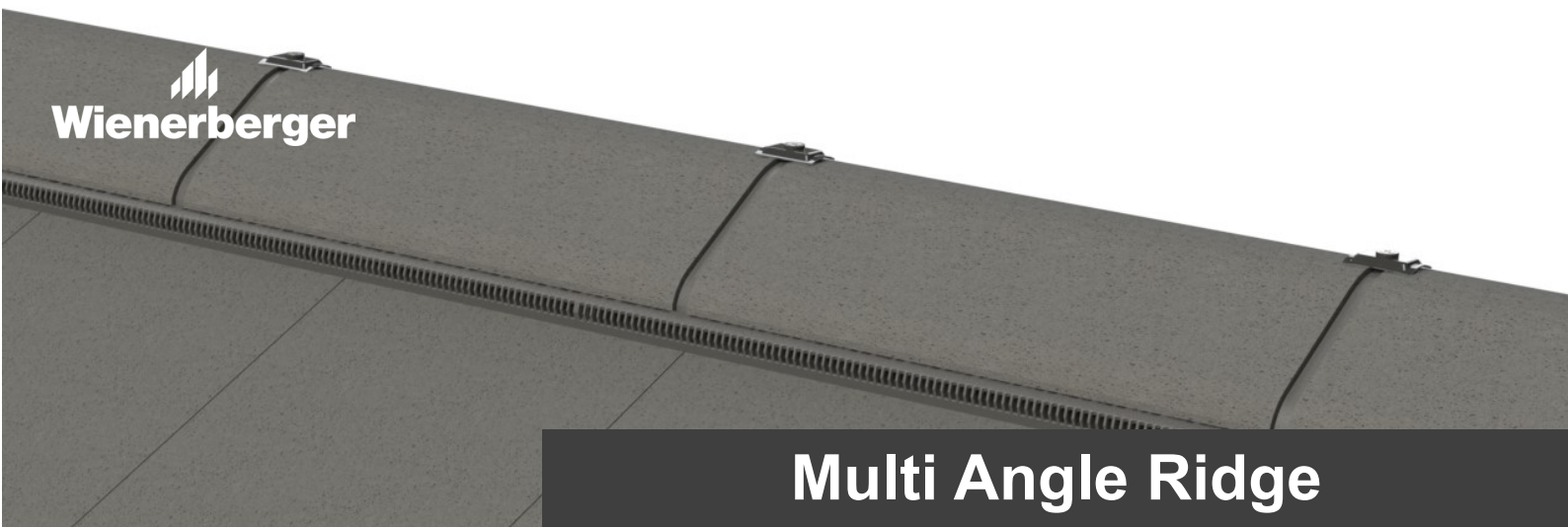
Profile Mono Ridge System

Multiversal Ridge & Hip system

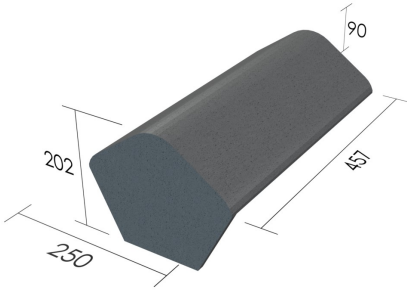
Decorative Ridges



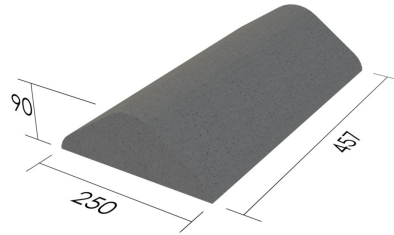
Different combinations of end pieces, decorative crests and/or finials are available to suit this ridge profile.



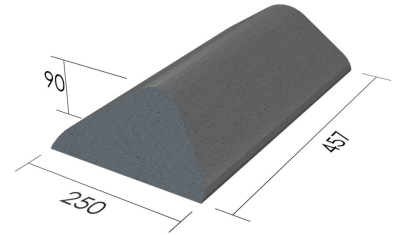
Multi Angle Ridge



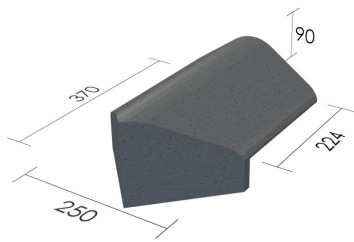
Block End



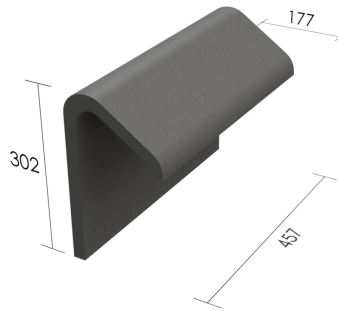
Gable Stop



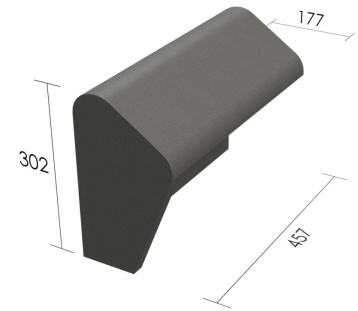
Hip End



Hip Starter



Mono Ridge



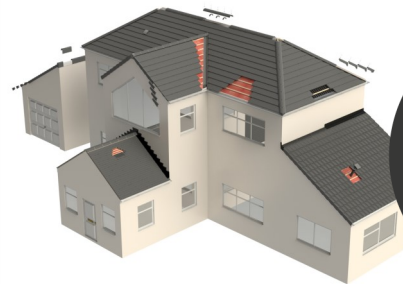
Mono Ridge Block End

(Available in Left and Right Hand.)

Multi Angle Max Roof Pitches

Max Pitch	Profile Ridge	Roll Ridge	Mortar Bedded
Calderdale Edge / Dual Calderdale Edge	45	45	50
Britlock	45	45	50
Britslate	45	45	50
New Cassius	45	45	50
New Rivius	45	45	50
Balmoral	45	45	50
Dual TLE / TLE	45	45	50

Maximum pitches shown are based on rafters meeting at an apex in perfect conditions. We strongly recommend you check that the ridge tile achieves the correct coverage of the roof tile, preferably at the design stage and certainly before installation begins. If used with a tile not shown above please contact Sandtoft technical.



BIM Objects Download



For projects with a pitch greater than stated maximum pitches, or unequal pitches, contact Sandtoft technical for support. All Sandtoft ridge tiles must be mechanically fixed in accordance with BS5534, either with an adequate dry fix system or a mortar bedded ridge fixing kit. Product specification is subject to change and will be updated accordingly

Issue Date: 16/06/2021