



# ROOFING SYSTEM ACCESSORIES

TAKE A CLOSER **LOOK**



# EVERYTHING YOU NEED UNDER ONE ROOF

From roof tiles and underlay to eaves systems and ridges, we have a comprehensive range of roof products. All elements of our roofs are carefully designed, tested and manufactured to give value, visual appeal and long-lasting weathertight performance.



## CONTENTS

About Us	2-3
Our Services	4-5

<b>Underlay</b>	
Spirtech 400 2S & Underlay Support Tray	6-7

<b>Insulation</b>	
Rapid Loft Board Insulation	8-9

<b>Eaves Systems</b>	
RedVent EavesVent	10-11
RedVent 25 Over-Fascia Vent	12-13
Rapid Eaves Vent System	14-15

<b>Verge Systems</b>	
Cloaked Verge	16-17
Ambi-Dry, Rapid and Slate 10 Dry Verge Systems	18-19

<b>Hip Systems</b>	
Dry Hip System	20-21
Continuous Hip System	22-23
Uni-Vent Rapid Ridge/Hip	40-41
Cambrian Mitred Hip System	24-25
Hip End Cap	62

<b>Valley Systems</b>	
125 and Cambrian GRP Valleys	26-27
Dry Valley	28-29
Bonding Gutter	30-31

<b>Abutment Systems</b>	
Side Abutment GRP Secret Gutter	32-33
Top Edge Abutment Ventilation System	34-35



<b>Ridge Systems</b>	
DryVent Ridge System	36-37
Continuous Ridge System	38-39
Uni-Vent Rapid Ridge/Hip	40-41
Ridge Vent Terminal	42-43
Gas Flue Ridge Terminal	44-45
DryVent Monoridge System	46-47
Ridge End Cap	63



<b>Ventilation Tiles</b>	
RedLine Vent Tile	48-49
ThruVent Tile	50-51
Rapid RoofVent Tile	52-53



<b>Accessories</b>	
Wakaflex Rapid Flashing	54-55
Rapid Roof Putty	56
Rapid Roof Paint	57
Mortar Bedded Fixing Kit	58-59
Kro-Clip	60
Innofix Clip	61
Hip End Cap	62
Ridge End Cap	63
Outlet Adaptors	64-65



<b>Solar Photovoltaic Roofing Systems</b>	
InDaX PV System	66-67



<b>Ornamental Tiles, Ridges and Finials</b>	68-69
---	-------

<b>Product Codes and Fittings Colour Ranges</b>	70-83
---	-------

# NATURALLY REDLAND

*“At Redland it is our aim to deliver high-quality roofs that are easy to specify, buy, install and own.”*

Redland is a brand of the worldwide Braas Monier Building Group (BMBG).

With operations in 50 countries and over 100 production sites, BMBG is the leading worldwide supplier of pitched roofing materials. Our goal is to deliver high-quality roofing solutions that perfectly meet our customers' expectations.

Redland draws on the expertise and experience gathered from nearly 100 years as an industry leader. Our range of tiles, slates, renewable energy systems, fittings and accessories, combined with market-leading technical support services, enable us to deliver total pitched roofing solutions you can rely on.



# INDUSTRY SUPPORT AND TRAINING



Chances are you know someone who has been on one of our courses.

## REDLAND TECHNICAL SOLUTIONS SERVICE

SpecMaster is a free roof specification service and guarantee that provides NBS-based specification clauses. Easily integrated into your own working document, a SpecMaster specification will save you time, and comes with the added reassurance of a comprehensive 15-year design liability and roof weathertightness guarantee.

## REDLAND TECHNICAL SOLUTIONS

Staffed by industry experts with both the technical and real world knowledge of designing with Redland systems, our Technical Solutions team's service will help you bring your project to fruition with industry-leading knowledge every step of the way.

## CPD AND TRAINING

Our purpose-built Redland National Training Centre at South Cerney in Gloucestershire is where Redland personnel, customers, suppliers and specifiers regularly undertake in-depth classroom and practical training. Since it was established in 1983, more than 45,000 people have been trained at the Centre.

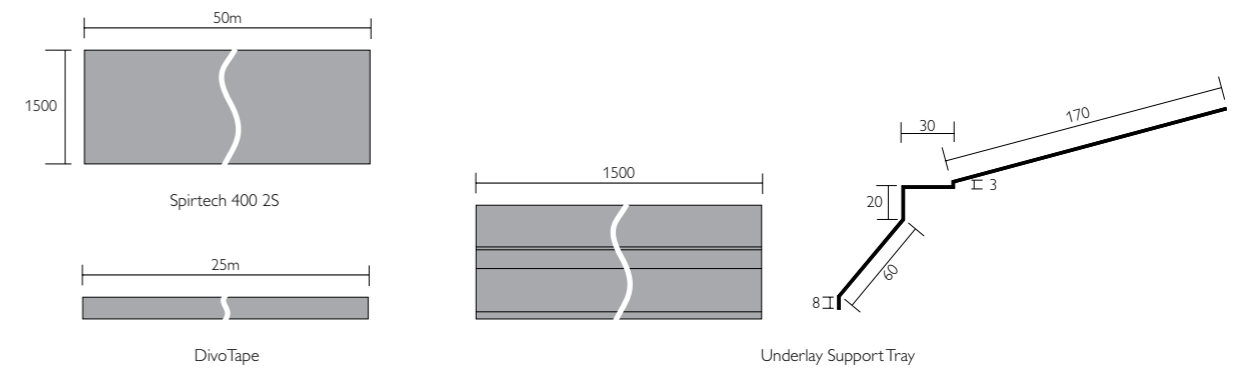
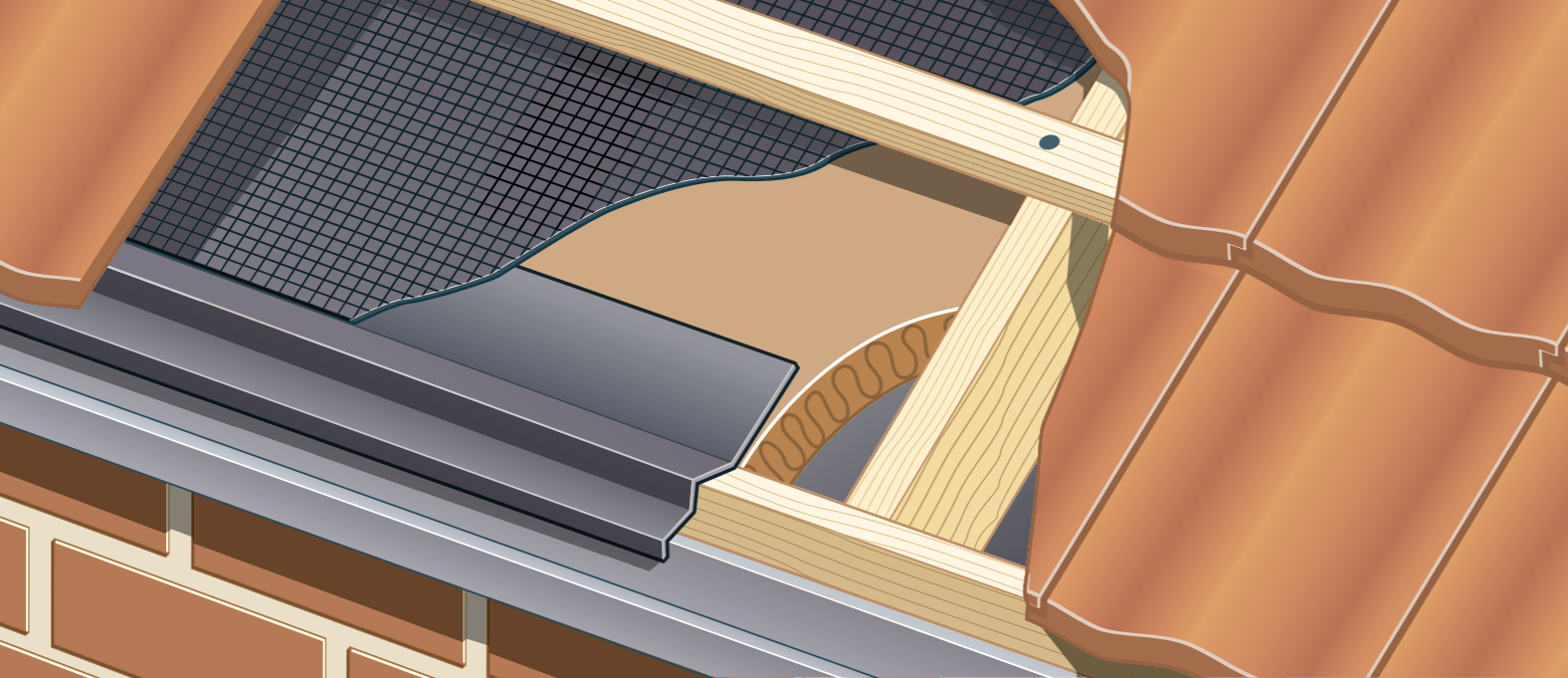
As a member of the RIBA CPD Providers Network, we are also able to deliver training sessions, using accredited materials, at customers' own premises.



As well as an unrivalled range of roof tiles and systems, Redland has developed a comprehensive range of free technical services to save you time and provide complete peace of mind in your roofing project.

- 
**SpecMaster**  
 Complete guaranteed roof specification service with NBS-based clauses
- 
**QuantMaster**  
 Redland's bespoke roof materials quantity estimating service
- 
**DesignMaster**  
 Comprehensive CAD library of over 4,000 quality roofing drawings
- 
**ViewMaster**  
 The online visualisation software that enables you to 'try before you buy'
- 
**FixMaster**  
 Fixing specification service tailored to each customer's needs
- 
**EcoMaster**  
 Guaranteed specification service for projects using solar photovoltaic systems

Visit [www.redland.co.uk/services](http://www.redland.co.uk/services) for further information on these services



## SPIRTECH 400 2S AND UNDERLAY SUPPORT TRAY

A heavy-duty underlay with a unique glue strip system that provides raintight overlap and passes the BS 5534:2014 wind uplift requirements for use anywhere in the UK. The robust Underlay Support Tray provides both a continuous support for the underlay at the eaves and a UV-resistant drip into the gutter.

### FEATURES

- Strong, durable heavy-duty underlay system with grid reinforcement
- Superior abrasion and tear resistance
- Unique 2-strip gluing system for horizontal laps makes joints easy to bond and eliminates need for battens over the horizontal laps
- Glue strips suitable for both high and low outside temperatures
- Provides windtight, sealed roof system for warm and hybrid roofs, improving energy efficiency, as well as for traditional cold roofs
- Can be used without eaves ventilation when used in conjunction with a well-sealed ceiling and ridge or other high level ventilation
- Underlay Support Tray replaces the need for a timber tilting fillet and additional length of UV-resistant underlay
- Complies with BS 5534:2014 wind uplift resistance requirements for underlays everywhere in the UK for all batten gauges up to 345mm

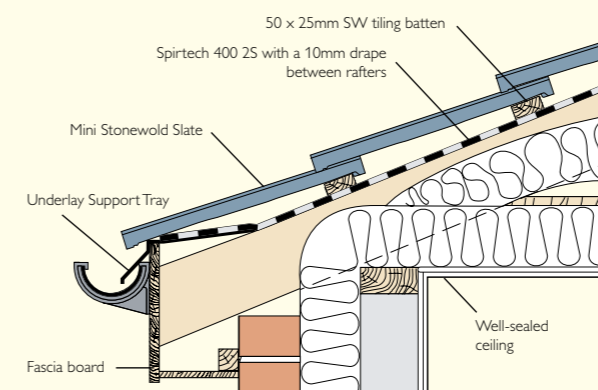
### COMPATIBILITY

- Spirtech 400 2S and Underlay Support Tray can be used with the complete Redland range of tiles
- Eaves Clips and Eaves Comb can be easily fixed through the Underlay Support Tray
- Suitable for use with all pitched roofs

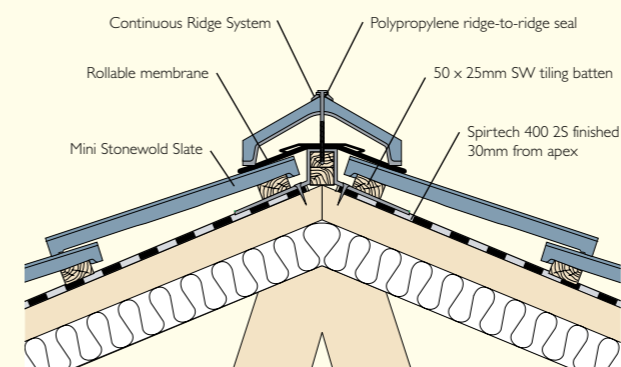
### PERFORMANCE

- Outstanding protection against falling objects
- Best in class watertightness after abrasion
- Suitable for use in all zones throughout the country under BS 5534:2014
- Awarded British Board of Agrément Certification, certificate number 05/4283

### SPIRTECH 400 2S ON EAVES (MINI STONEWOLD)



### SPIRTECH 400 2S ON RIDGE (MINI STONEWOLD)



### GUIDANCE NOTES

- Not adversely affected by any of the standard construction materials used in the roof or by any of the commonly used timber preservatives.
- Fix Underlay Support Trays to top of fascia board at centres not greater than 300mm with adjacent trays abutting each other and with rear edge resting on the insulation or rafter, below the line of first tiling batten.
- Use DivoTape to seal vertical laps to create a windtight system where laps do not occur at a rafter.
- For Cambrian, DuoPlain and Plain Tiles remove section of Underlay Support Tray by cutting along the score line.

### COMPONENTS

Sold individually

#### SPIRTECH 400 2S

Roll Size	1.5 x 50m
Roll Area	75m <sup>2</sup>
Weight	240g/m <sup>2</sup>
Material	Dark grey, 4-layer, spun bond polypropylene

#### UNDERLAY SUPPORT TRAY

Tray Length	1.5m
Material	Recycled PVC
Pack Quantity	25

### ACCESSORIES

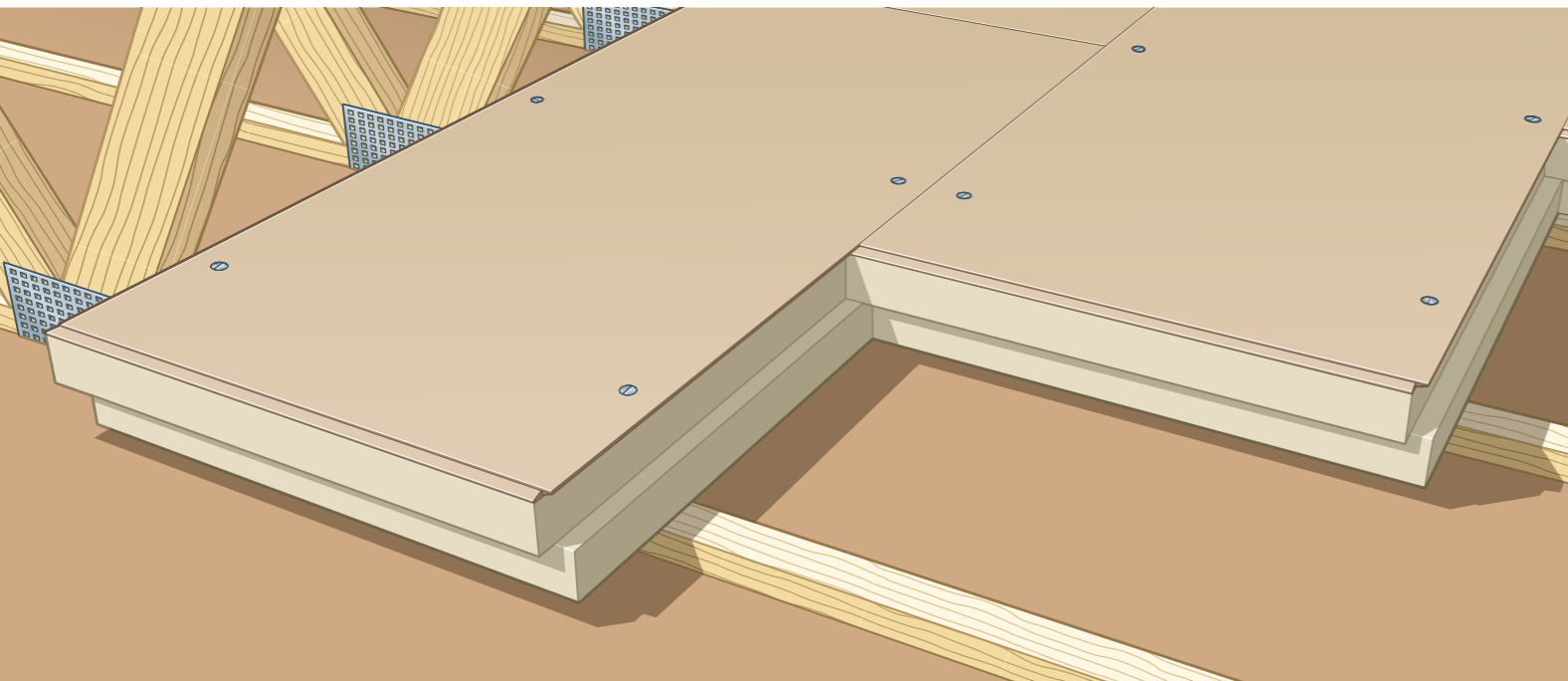
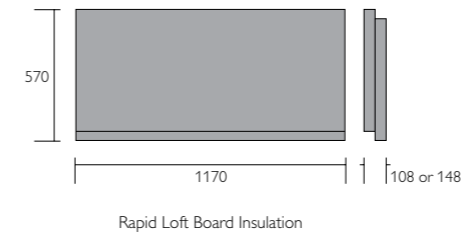
#### DIVOTAPE

Roll Length	25m
Material	UV-resistant polyethylene foil with mesh reinforcement



# RAPID LOFT BOARD INSULATION

A straight-forward and high-performance way to create a loft platform. Rapid Loft Board's extremely efficient insulating layer and sturdy 8mm OSB facing can turn roof spaces into practical storage areas.



Property Insulation	Description	Standard
<b>Material</b>	PIR (Polyisocyanurate) Rigid Foam Aluminium Film Surfaces 8mm Chipboard (Class P5)	
<b>Thermal Conductivity</b>	$\lambda = 0.023 \text{ W / m.K}$ Declared Value ( $\lambda = 0.024 \text{ W / m.K}$ Top Rating)	BS EN 13165
<b>Dimensions</b>	1170 x 570mm (Outer) 1150 x 550mm (Fitted)	
<b>Coverage</b>	0.67m <sup>2</sup> per board (Outer) 0.63m <sup>2</sup> per board (Fitted)	
<b>Thickness</b>	100 or 140mm (+8mm board)	
<b>Diffusion</b>	System Vapour-tight sd-value 1500	BS EN 12086
<b>Compressive Strength</b>	>100kPa	BS EN 826
<b>Youngs Modulus</b>	6.0 N/mm <sup>2</sup>	
<b>Fire Rating</b>	Class E	BS EN 13501-1
<b>Interlock</b>	Shiplap (PIR) Tongue & Groove Connection	

## GUIDANCE NOTES

- Should not be used as a structural floor.
- Low and high level loft ventilation should be used in accordance with BS 5250:2011.
- Where Rapid Loft Board Insulation meets adjoining structures, gaps should be allowed for thermal expansion. These gaps should be filled with breathable insulation material such as mineral fibre.
- In ceilings measuring 20m or more, an expansion joint should be provided in the centre of the platform.
- A gap of 12mm should be left around hot water pipes and 75mm around hot flues.

## COMPONENTS

Sold by the pallet

<b>Quantity per Pallet</b>	20 boards (100mm); 16 boards (140mm)
<b>Coverage per Pallet</b>	12.7m <sup>2</sup> (100mm); 10.1m <sup>2</sup> (140mm)

## FEATURES

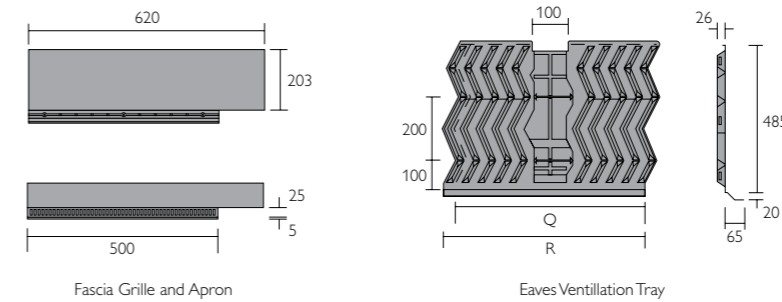
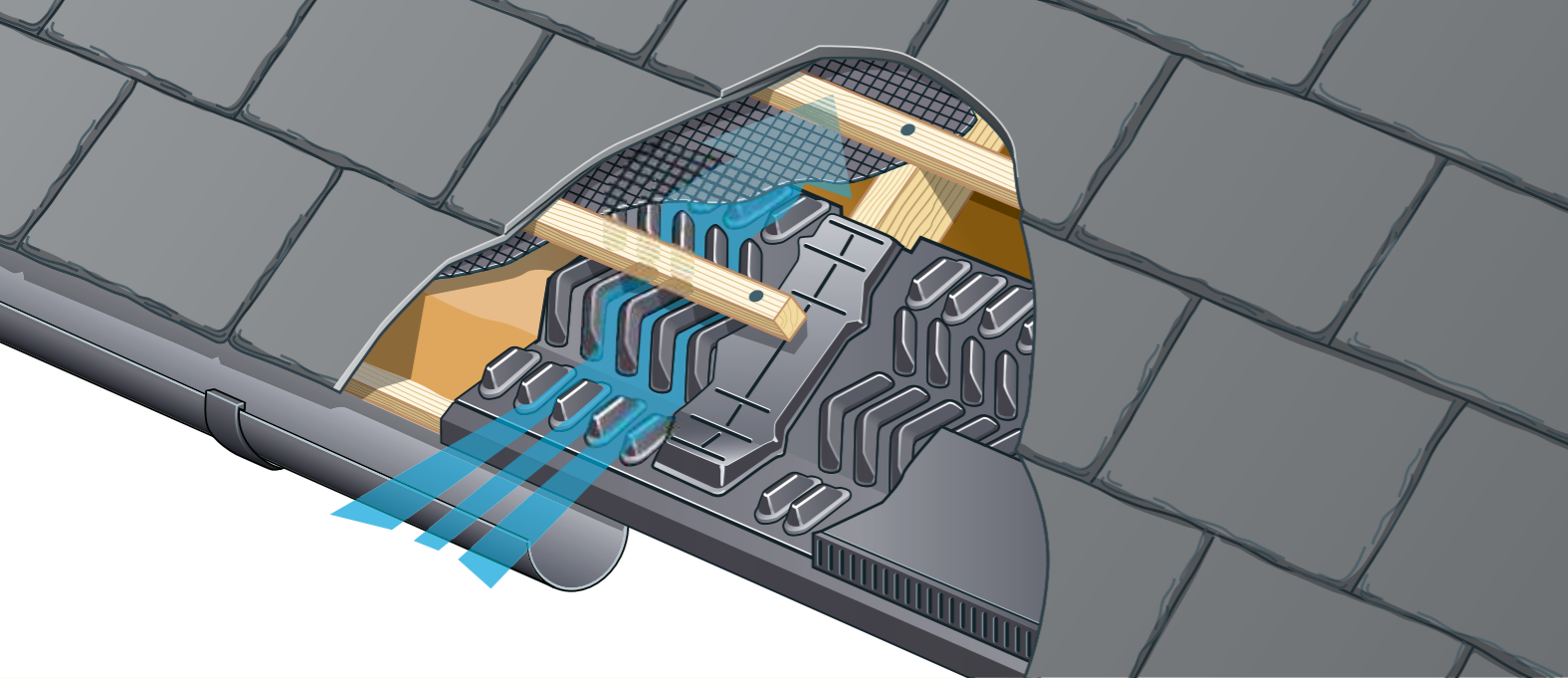
- Conveniently sized to fit through the loft hatch
- Available in two thicknesses: 100mm and 140mm (+8mm board)
- Easy to fit using standard tools and fixings
- Tongue and groove board and shiplap on the foam

## COMPATIBILITY

- Suitable for use with cold pitched roofs

## PERFORMANCE

- Designed to meet a U-value of 0.16W/m<sup>2</sup>K or better when laid alone or in conjunction with existing insulations
- Complies with BS EN 13165:2012+A1:2015 Thermal insulation products for buildings, factory-made rigid polyurethane foam products



## REDVENT EAVESVENT

The RedVent EavesVent provides continuous over-fascia eaves ventilation. For use when insulation is laid between or on top of the horizontal ceiling joists.

### FEATURES

- Ventilates to comply with BS 5250:2011, therefore reducing the risk of harmful condensation in the roof
- Suitable for rafter spacing between 350-600mm centres (subject to pack used)
- Removes the need for unsightly grilles in the soffit board which over time could become clogged
- Eliminates the need for a tilting fillet and reduces the required height of the fascia board
- Can be installed with or without a soffit board
- 350-450mm pack is sufficient to cover 6 metres of eaves at 450mm rafter centres and 4.9 metres at 350mm centres
- 450-600mm pack is sufficient to cover 6 metres of eaves at 600mm rafter centres and 4.5 metres at 450mm centres

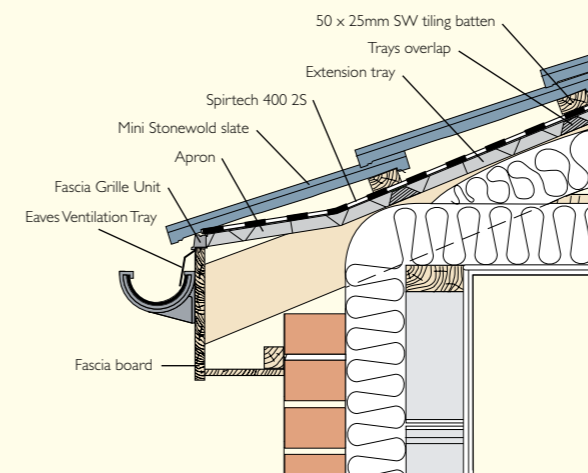
### COMPATIBILITY

- Suitable for use with most pitched roofing materials
- Compatible with all of the Redland range of Eaves Clips
- Where Eaves Clips or Eaves Comb are required for use with a particular tile profile, it is acceptable to fix them through the Fascia Grille of the RedVent EavesVent

### PERFORMANCE

- Minimum pitch will depend on the minimum pitch of the roof covering
- Maximum pitch varies with tile used. Please contact Technical Solutions on 03708 702595
- The effective ventilation area per metre run of eaves is 14,600mm<sup>2</sup>
- Mechanically fix all tiles at the eaves
- Fit to straight and level softwood fascia

### REDVENT EAVESVENT (MINI STONEWOLD)



### GUIDANCE NOTES

- Use extension trays where the top of the insulation is greater than 450mm from the fascia when measured up the rafter. Where this distance is greater than 830mm, use two rows of extension trays.

### COMPONENTS

#### Each RedVent EavesVent pack contains:

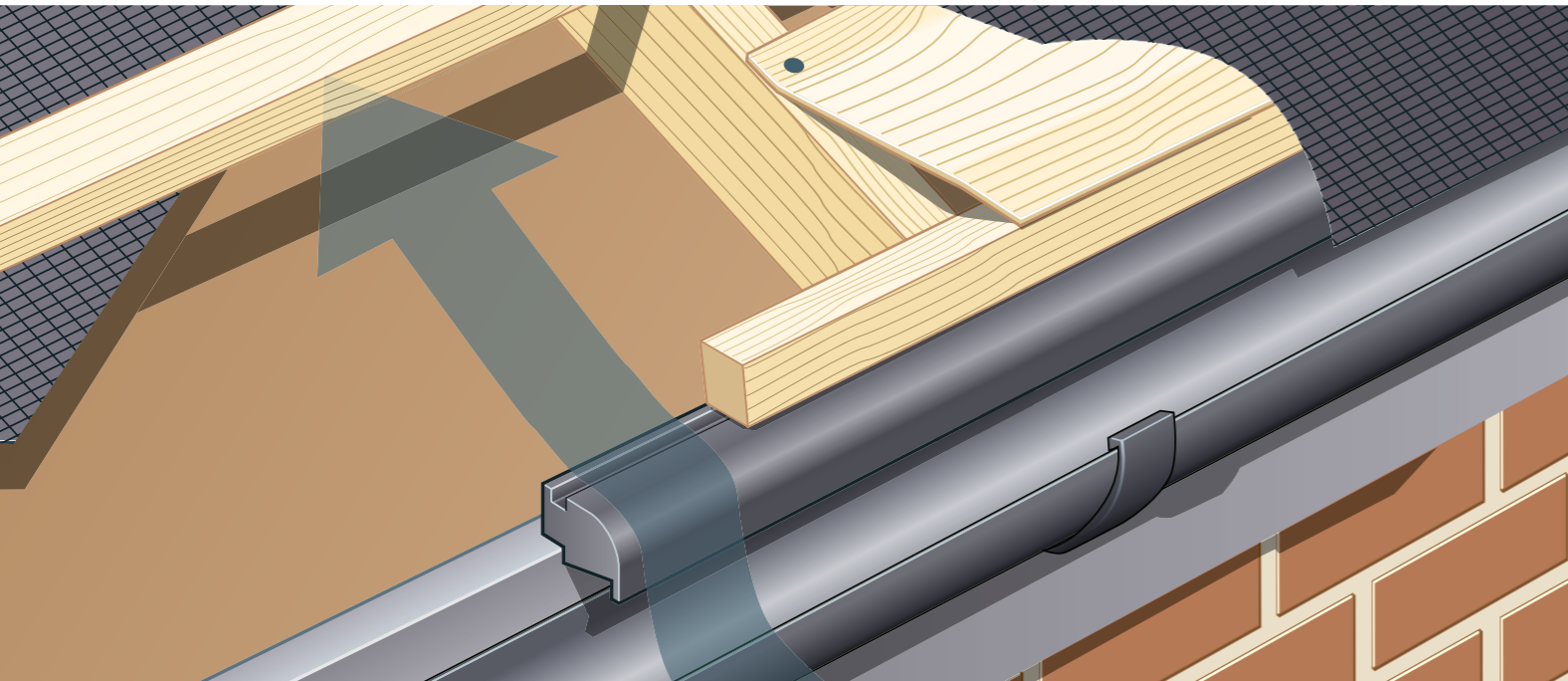
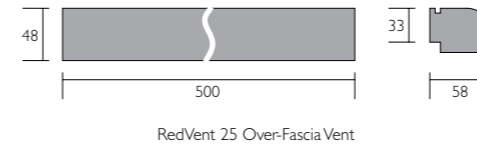
- 12 Fascia Grilles with attached apron (PVC – black)
- 10 Eaves Ventilation Trays in the 450-600mm pack  
14 Eaves Ventilation Trays in the 350-450mm pack (PVC – black)
- Aluminium Alloy nails (45 x 2.35mm)

#### Each Extension Tray pack contains:

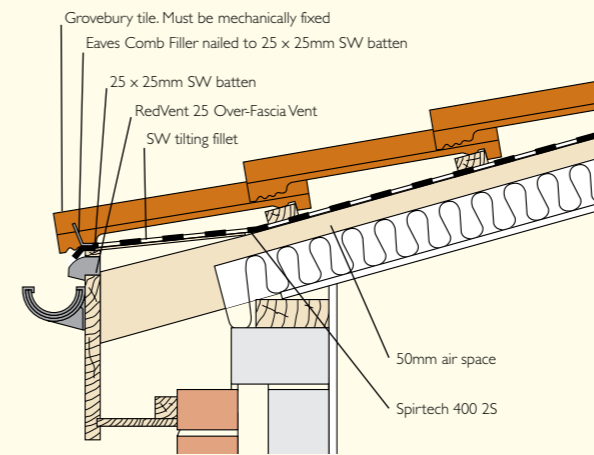
- 10 trays in the 450-600mm pack
- 14 trays in the 350-450mm pack

## REDVENT 25 OVER-FASCIA VENT

The RedVent 25 Over-Fascia Vent provides unobtrusive continuous ventilation at the eaves for use where the insulation is installed either between or above the rafters.



### REDVENT 25 OVER-FASCIA VENT (GROVEBURY)



### GUIDANCE NOTES

- Install a 4mm thick tilting fillet with a positive fall to support underlay over the fascia vent.
- Do not extend underlay into the gutter unless 25mm spacer blocks are positioned behind the gutter brackets.
- Suitable for softwood fascia boards 25mm thick and above.
- No rafter tray required when underlay is fully supported by insulation.
- For fascia board heights contact Technical Solutions on 03708 702595.
- The gutter's size and position will need to be calculated to ensure that rainwater discharges directly into it.

### COMPONENTS

- Each RedVent 25 Over-Fascia Vent pack contains:
- 12 Fascia Grilles (Polypropylene – black) sufficient for 6 metres of eaves

### FEATURES

- Ventilates to comply with BS 5250:2011, therefore reducing the risk of harmful condensation in the roof
- Used for any combination of rafter spacing
- Can be installed with or without a soffit board
- Eaves closure is achieved for Regent, Grovebury, Landmark Double Pantile, Fenland Pantile, Cathedral Clay Pantile and Old Hollow Clay Pantile by using Eaves Comb

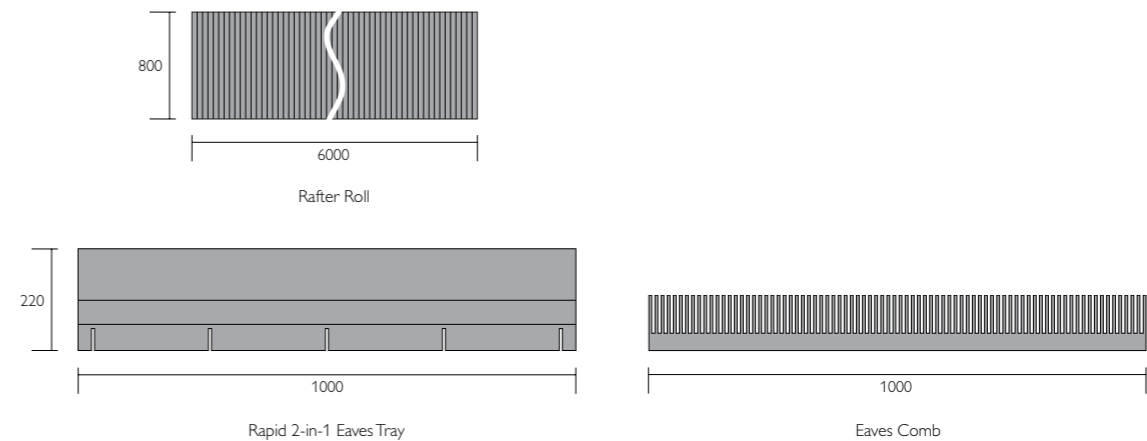
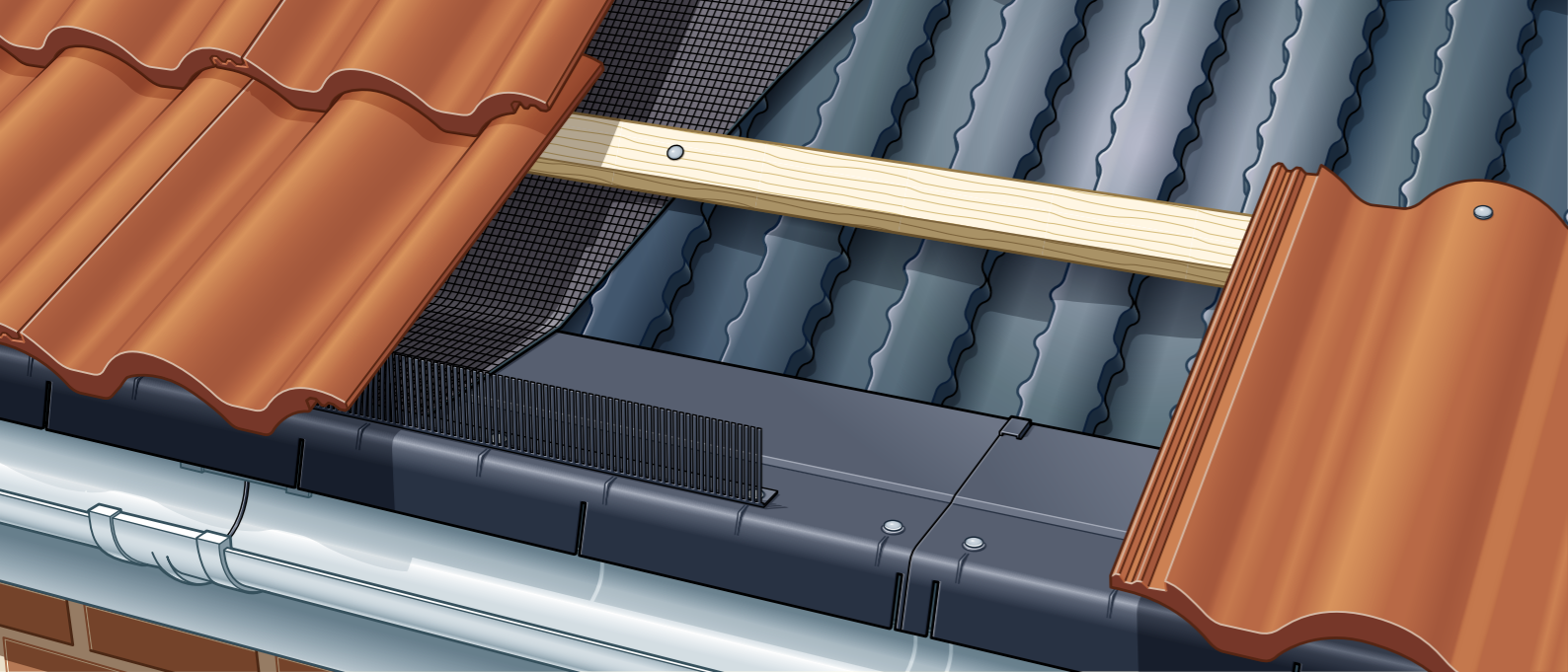
### COMPATIBILITY

- Suitable for use with most pitched roofing materials
- Where Eaves Clips, Eaves Comb or Underlay Support Trays are required, a 25 x 25mm softwood clip batten should be secured through the RedVent 25 Over-Fascia Vent into the fascia board with 100 x 4mm galvanised nails
- Suitable for uPVC fascias with additional timber fillet behind the fascia board

### PERFORMANCE

- Minimum pitch will depend on the minimum pitch of the roof covering
- Maximum pitch varies with tile used. Please contact Technical Solutions on 03708 702595
- The effective ventilation area per metre run of eaves is 25,000mm<sup>2</sup>





## RAPID EAVES VENT SYSTEM

The Rapid Eaves Vent system is designed for use in cold pitched roofs as a means of introducing low-level roof space ventilation.

### FEATURES

- 3-part system, sold separately:

**Rapid 2-in-1 Eaves Tray** – provides continuous ventilation over the fascia while supporting the underlay at the eaves to ensure a positive fall of the underlay into the eaves gutter

**Rafter Roll** – a semi-rigid, wide roll-out rafter ventilation tray that maintains an uninterrupted air ventilation gap between the underlay and ceiling-level insulation in the loft space

**Eaves Comb** – used to prevent birds, large insects, rodents etc. from entering the roof space. Eaves Combs are required for the following Redland tiles: Landmark Double Pantile, Grovebury, Regent, Fenland Pantile, Cathedral Clay Pantile, Old Hollow Clay Pantile

- Maintenance-free
- Quick and easy to install
- Can be used with either a non-breather or vapour permeable underlay
- Complies with BS 5250:2011

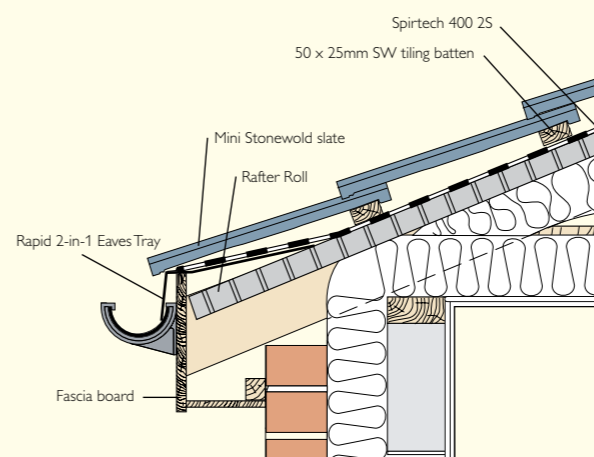
### COMPATIBILITY

- Works with any Redland slate / tile or similar
- Suitable for use with most pitched roofing materials
- Compatible with timber fascias up to 25mm thick
- Suitable for uPVC fascias with an additional timber fillet behind the fascia board
- Suitable for rafter centres up to 600mm

### PERFORMANCE

- Rafter pitch range is 15 - 70°
- The effective ventilation area per metre run of eaves is 10,000mm<sup>2</sup>

### RAPID EAVES VENT SYSTEM (MINI STONEWOLD)



### GUIDANCE NOTES

- Rafter Roll to be secured to the rafters using 25 x 2.65mm clout nails at every rafter intersection, both at the top and bottom of the roll.
- Lay the 2-in-1 Eaves Tray over the fascia board using the lugs to locate the correct position.
- With a timber fascia, nail the 2-in-1 Eaves Tray into place through the nail bosses with 60 x 3.35mm Aluminium Alloy nails and then fix Eaves Comb if required.
- With a uPVC fascia either nail the 2-in-1 Eaves Tray at every rafter intersection or nail into a timber fillet installed immediately behind the uPVC fascia. Nail with 60 x 3.35mm Aluminium Alloy nails.
- Ensure trays are interlocked correctly before fixing.

### COMPONENTS

3-part system sold separately

#### RAFTER ROLL

Roll Size	6m x 0.8m
Material	PVC

#### RAPID 2-IN-1 EAVES TRAY

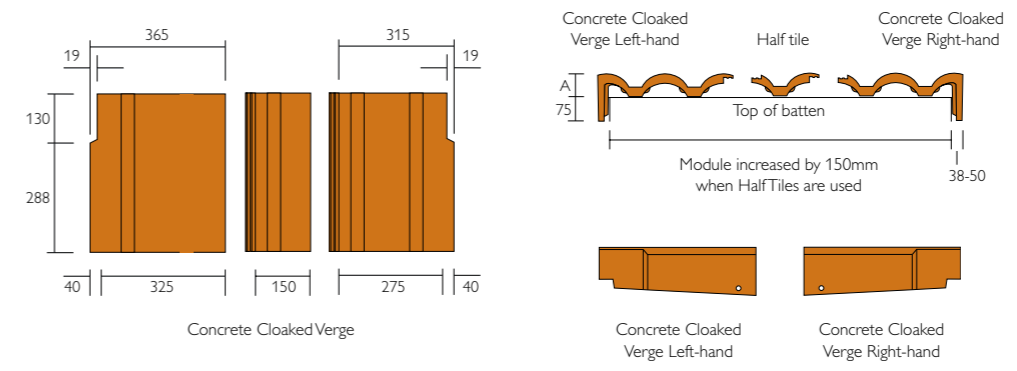
Tray Length	1m
Material	Polypropylene

#### EAVES COMB

Comb Length	1m
Material	Polypropylene

# CLOAKED VERGE

The Cloaked Verge continues the tiling over the gable end using a one-piece concrete tile. The system has very high resistance to storm damage and, with no mortar required, it removes concerns about mortar failure.



Product Measurements (mm)	
Profile	A
Cathedral Clay Pantile	65
Landmark Double Pantile	47
Landmark Double Roman	37
Regent	49
Grovebury	47
50 Double Roman	37
Renown	30

## FEATURES

- Easy to lay as it interlocks to the next tile
- The quickest and easiest method of installing profiled verge tiles
- Provides a neat finish to the verge
- Complies with BS 5534:2014 requirements for mechanical fixing

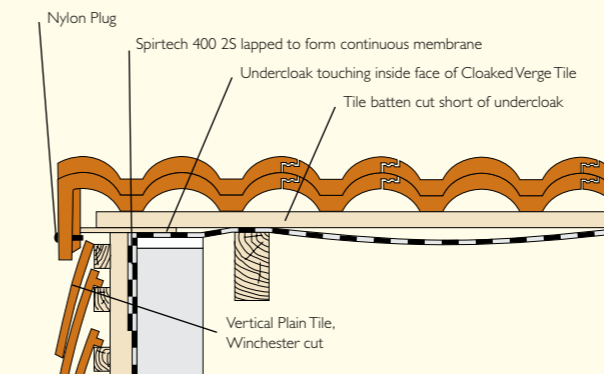
## COMPATIBILITY

- Available for all our profiled tiles in all available colours except Fenland Pantile, Redland 49, Postel Clay Tile and Old Hollow Clay Pantile

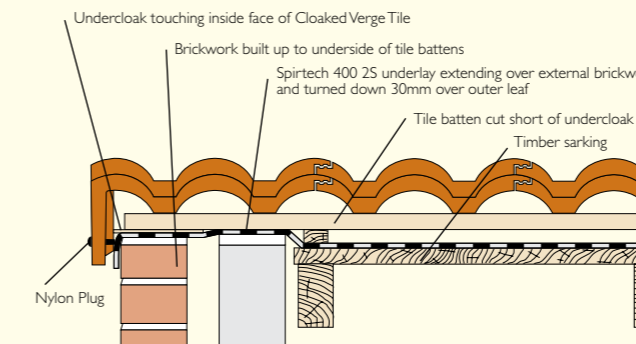
## PERFORMANCE

- There is no maximum pitch on lean-to roofs or where lead roll details are used
- On duo-pitch roofs above 45° the top cloaked verge tiles must be cut to a mitre
- Minimum pitch will depend upon the minimum pitch for the tile profile and surface finish
- Minimum headlap will depend upon tile profile, surface finish and rafter pitch
- Maximum headlap is 125mm (71mm for Cathedral Clay Pantile)
- Maximum pitch of cloaked verge depends upon maximum pitch of ridge/monoridge system

## CONCRETE CLOAKED VERGE WITH VERTICAL TILING (REGENT)



## CONCRETE CLOAKED VERGE WITH TIMBER SARKING (REGENT)



## GUIDANCE NOTES

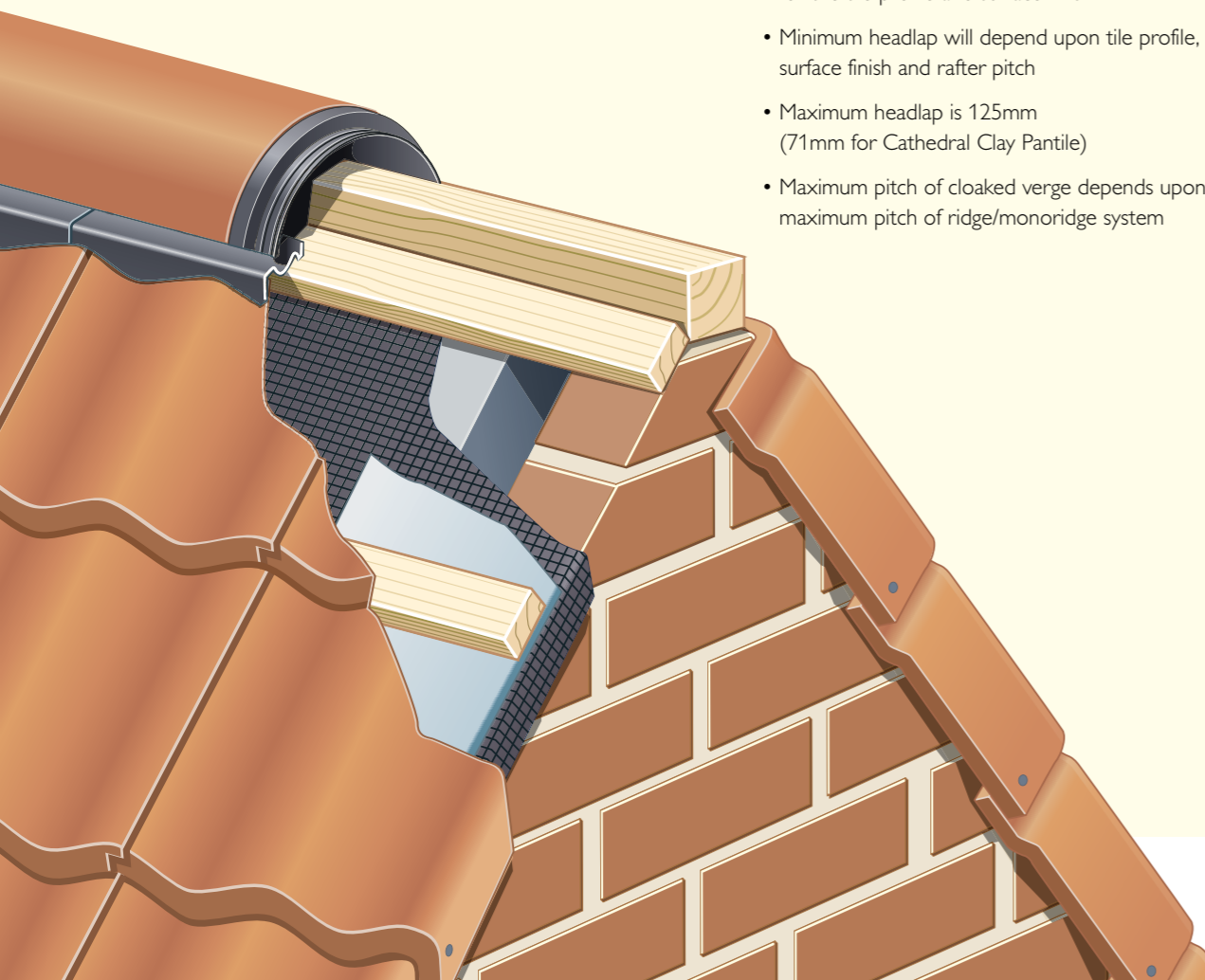
- When setting out the roof, the verge overhang should be the same at both verges. The use of Half Tiles (Two Thirds Tile for Cathedral Clay Pantile) in each course will allow the overhang to be reduced to a minimum. Half Tiles and Two Thirds Tiles are available in all colours as the Cloaked Verge.
- Cloaked Verge Tiles are not suitable for raking verges.
- Every Cloaked Verge Tile must be nail fixed, and the integral nylon plug must interlock with the Cloaked Verge Tile in the course below.
- The left-hand Cloaked Verge Tile on the eaves course must be clipped to the adjacent tile using a C-Clip (9179). This is supplied in every Block-End Ridge Tile pack (not applicable to Cathedral Clay Pantile).
- Finish ridge with Block-End Ridge Tiles or Ridge End Caps.
- An undercloak should be installed between the battens and the structure, touching the inside face of the cloaked verge tile, to prevent bird ingress.
- At top edge abutments, a lead flashing or Wakaflex Rapid Flashing should dress down the face of the cloak to provide a full weathertight covering. For lead, the flashing length will be dependant on the rafter pitch. For Wakaflex Rapid Flashing, the flashing length will be a minimum of 90mm.
- In cases where no batten end fixing is available on roof pitches of 30° and above, a second batten is required to support the main batten. It is essential to secure the second batten over at least two rafters.
- Where timber sarking is used over the main roof area, the tiling battens should rest on the external brickwork or cladding (see detail shown). On overhanging verges, the final counterbatten should be 6mm thinner to allow for undercloak.

## COMPONENTS

CLOAKED VERGE TILE	
Length	418mm (411mm for Cathedral Clay Pantile)
Material	Concrete (Clay to match Redland Cathedral Clay Pantile)
Plug Material	Nylon

## ACCESSORIES

- Half-Tile (concrete tiles)
- Two-Thirds Tile (Cathedral Clay Pantile)
- Block-End Ridge Tile

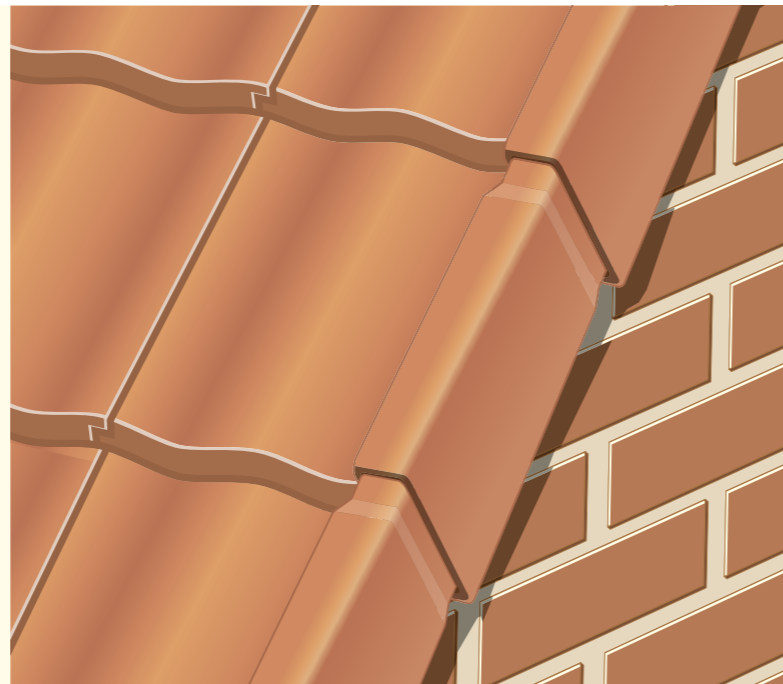


# AMBI-DRY, RAPID AND SLATE 10 DRY VERGE SYSTEMS

These systems provide a neat, maintenance-free verge for most of our slates and profile tiles. With very high resistance to storm damage and with no mortar required, they remove concerns about mortar failure.

## FEATURES

- Secure fixing system provides high resistance to wind uplift for both verge tiles and dry verge system
- Quick to install and can be laid at variable gauges to suit the minimum and maximum headlaps of the tiles
- Ambi-Dry and Rapid Verge are adapted on site to fit either the left or right-hand verge
- Slate 10 Dry Verge is available as dedicated left-hand and right-hand units
- Eliminates the need for an undercloak
- Tried and tested and complies with BS 5534:2014 requirements for mechanical fixing

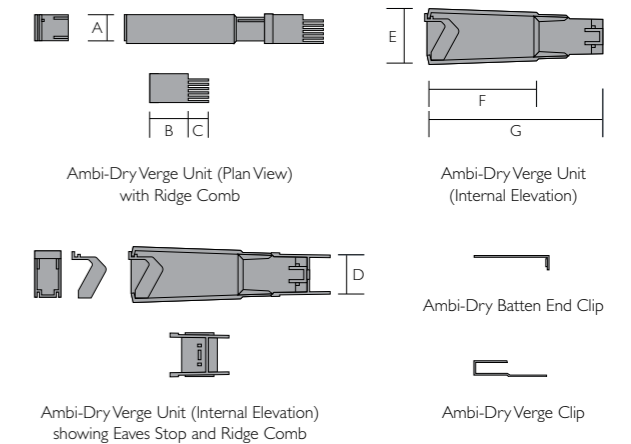


## COMPATIBILITY, PERFORMANCE AND COLOURS

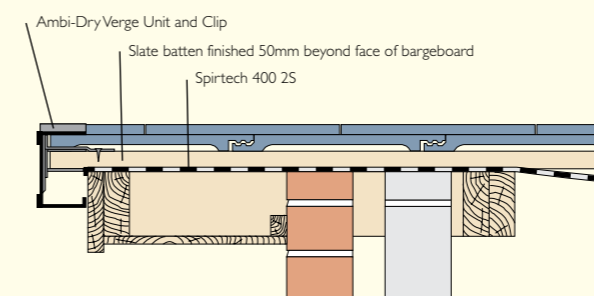
Tile / Slate	Maximum Pitches		Dry Verge System and Colours		
	Duo-pitch Roofs	Mono-pitch Roofs	Ambi-Dry Verge	Slate 10 Dry Verge	Rapid Verge
Cambrian Slate	60°	67.5°	Grey	-	-
Stonewold II	44°	44°	Grey	-	-
Mini Stonewold (inc MockBond)	67.5°	72.5°	Grey / Terracotta / Brown	-	Slate Grey / Rust
Landmark Double Pantile / Grovebury	67.5°	57.5°	Grey / Terracotta / Brown	-	Slate Grey / Rust
Landmark Double Roman / 50 Double Roman	62.5°	67.5°	Grey / Terracotta / Brown	-	Slate Grey / Rust
Regent	67.5°	52.5°	Grey / Terracotta / Brown	-	Slate Grey / Rust
Renown	60°	65°	Grey / Terracotta / Brown	-	Slate Grey / Rust
DuoPlain	60°	47.5°	Grey / Terracotta / Brown / Red	-	-
Slate 10 range	67.5°	72.5°	-	Grey / Terracotta / Brown	-
Redland 49	52.5°	60°	Grey / Terracotta / Brown / Red	-	Slate Grey / Rust
Fenland Pantile	47.5°	67.5°	Grey / Terracotta / Brown / Red	-	Slate Grey / Rust

There is no maximum pitch on lean-to roofs or where lead roll details are used  
Minimum pitch will depend upon the minimum pitch recommended for the roof tiles

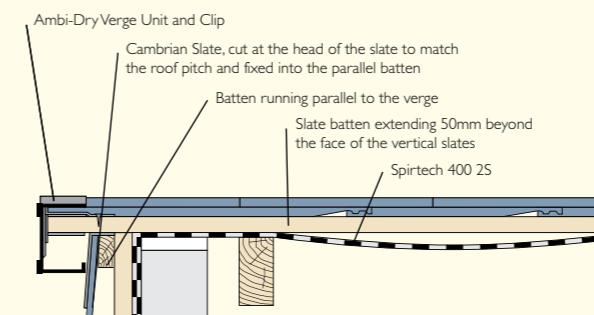
Product Measurements (mm)							
Profile	A	B	C	D	E	F	G
Cambrian Slate	60	55	40	60	85	205	305
Slate 10 range	72	20	60	85	150	255	390
Landmark Double Pantile / Grovebury	72	20	60	85	150	255	390
Landmark Double Roman / 50 Double Roman	72	20	60	85	150	255	390
Regent	72	20	60	85	150	255	390
Renown	72	20	60	85	150	255	390
Mini Stonewold (inc MockBond)	72	20	60	85	150	255	390
Stonewold II	65	45	80	100	145	305	390
DuoPlain	53	25	54	73	115	160	240
Fenland Pantile / Redland 49	57	20	60	85	150	255	355



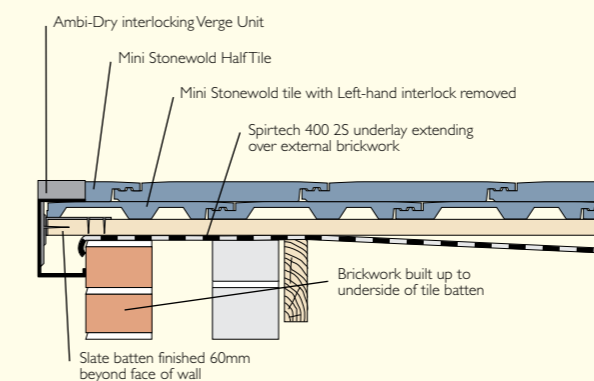
## AMBI-DRY VERGE SYSTEM WITH OVERHANG (CAMBRIAN)



## AMBI-DRY VERGE SYSTEM WITH VERTICAL SLATING (CAMBRIAN)



## AMBI-DRY VERGE SYSTEM (MINI STONEWOLD)



## GUIDANCE NOTES

- To ensure that the system is located correctly, all battens should oversail the bargeboard, brickwork or cladding by 60mm and be sawn off square (see details opposite) except Cambrian Slate and Stonewold II where it is 50mm and DuoPlain, Fenland Pantile and Redland 49 where it is 45mm.
- For Cambrian Slate use Standard Slates and Slate-and-a-Halves alternately on both verges. For all other slates use Standard Slates with interlock removed and Left-hand Half Slates alternately on left-hand verges. Use Standard Slates and Right-hand Half Slates alternately on right-hand verges.
- The systems are not suitable for raking verges.
- At the eaves, an Eaves Closure should be used to prevent both the ingress of water and birds while providing the fixing position for the eaves clip.
- Each Verge Unit is secured at the head by the verge/batten end clip and by lugs locating into channels on the top and bottom, along the length of the unit. It is essential that all three points of contact are engaged.
- When used at a top edge abutment, or similar situation, a lead flashing or Wakaflex Rapid Flashing should be dressed over the head of the top verge unit. For lead, the flashing length will be dependent on the rafter pitch. For Wakaflex Rapid Flashing, the flashing length will be a minimum of 90mm.
- At the ridge, a Ridge Comb should be used to prevent the ingress of birds and a Block-End Ridge tile or Ridge End Cap should be used.
- Where timber sarking is used over the main roof area, the tiling battens should rest on the extreme brickwork or cladding.
- Verge units for Cambrian Slate and Stonewold II are fixed by a Verge Clip included in the pack. Verge units for all other tiles and slates are fixed by a batten end clip included in the pack.

## COMPONENTS

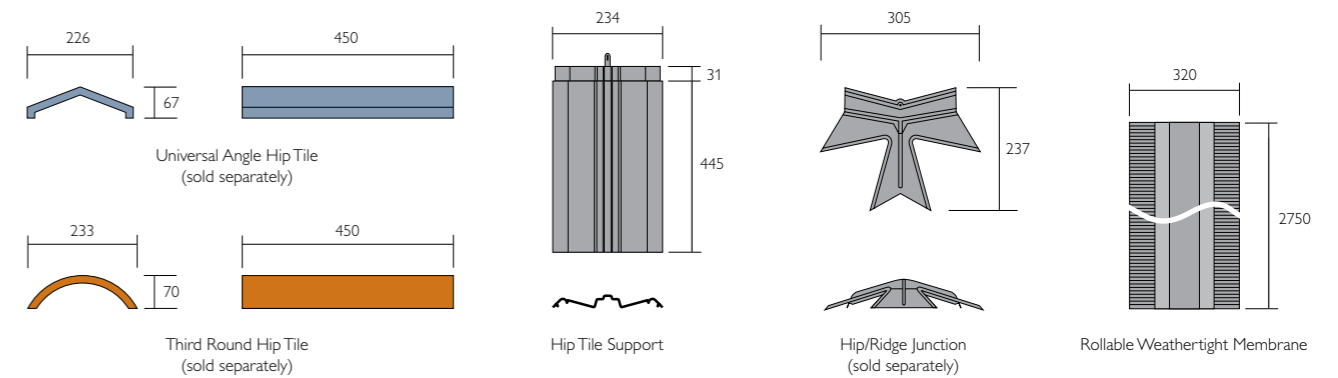
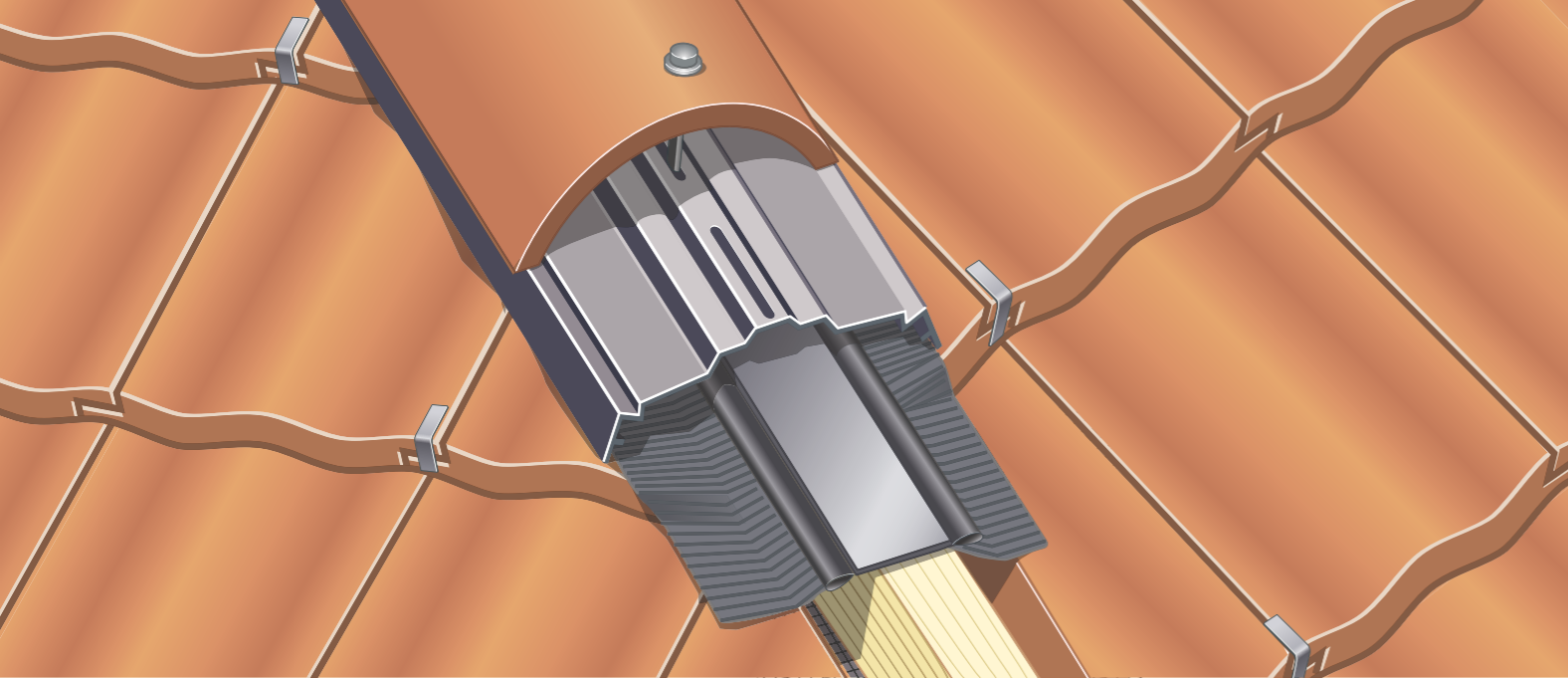
### Each Verge System contains:

- Verge Unit x 10 (uPVC) or for Slate 10: 10 left-hand or 10 right-hand unit
- Verge Clips or batten end clips x 10 (Stainless Steel)

### Additional Eaves/Ridge packs will be required for each installation, which includes:

- Eaves Closure Unit x 1 (uPVC) + Eaves Clip (Stainless Steel)
- Ridge Comb x 1 (uPVC)

- In addition, Block-End Ridge Tiles or Ridge End caps will be required for all ridge situations.



## DRY HIP SYSTEM

The Dry Hip System has delivered years of trouble-free service on tens of thousands of properties throughout the UK. With very high resistance to storm damage, the Dry Hip System has exceptional durability and is designed to last the lifetime of the roof.

### FEATURES

- Provides a neat and attractive finish to the hip line
- Hip Tiles are secured to the appropriate size hip batten using Stainless Steel wood screws, which give exceptional resistance to wind uplift
- Quick to lay and can be used even when bad weather is expected
- Tried and tested and complies with BS 5534:2014 requirements for mechanical fixing

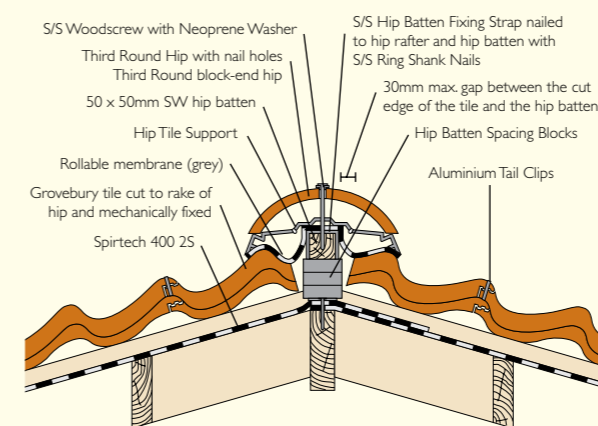
### COMPATIBILITY

- Suitable for use with the DryVent Ridge System
- Suitable for use with Third Round and Universal Angle Hip Tiles. For Hip Tile colour availability, see Fittings Colour Range tables on pages 73, 77 and 82
- Not suitable for use with Cathedral Clay Pantile, Fenland Pantile, Redland 49, Postel Clay Tile and Old Hollow Clay Pantile

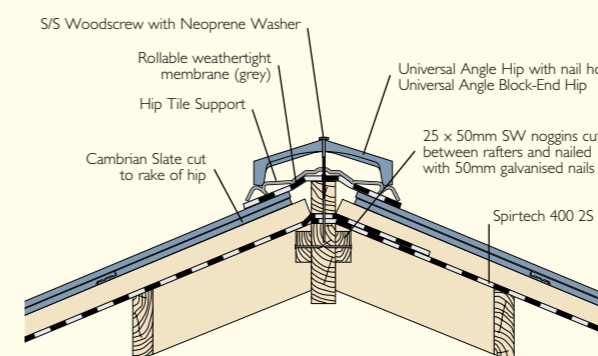
### PERFORMANCE

- Pitch range varies according to plan angle and tile profile. Please contact Technical Solutions on 03708 702595
- Minimum and maximum pitch will depend upon the minimum and maximum pitch of the roof tiles
- This system is designed for use where pitches to either side of the hip are equal. Where the roof pitches are uneven please contact Technical Solutions on 03708 702595

### DRY HIP SYSTEM WITH THIRD ROUND HIP TILE (GROVEBURY)



### DRY HIP SYSTEM WITH UNIVERSAL ANGLE HIP TILE (CAMBRIAN)



### GUIDANCE NOTES

- The Dry Hip System is suitable for traditional timber rafter, timber trussed rafter and rigid sarking constructions at all pitches and plan angles subject to limitations of tile types.
- Dry Hip can be adapted to ventilate the batten cavity when used with Spiritech 400 2S underlay. Hip tile support must be fixed to an additional hip batten fixed over the rollable membrane.
- Care must be taken when using timber sarking that the hip rafter is raised using timber batten(s) to ensure that the wood screw penetrates the hip batten by a minimum of 15mm.
- All profiles require a standard 50 x 50mm hip batten, with the exception of the Slate 10 range when this batten is reduced to 50 x 38mm.
- For Cambrian Slate contact Technical Solutions on 03708 702595.
- The system should start at the eaves with a Block-End Hip Tile.
- For pitches up to 60° (and plan angle is 90°) where two hips intersect with a DryVent Ridge a Hip/Ridge junction should be used.
- For pitches above 60° or where the Dry Hip System does not finish at a conventional ridge intersection with two hips, the Hip/Ridge junction should be completed with a Wvakflex Rapid Flashing saddle.
- Cambrian Double Slates will be required on all courses on either side of each hip below 25°. At pitches greater than this Cambrian Slate-and-a-Halves can be used.

### COMPONENTS

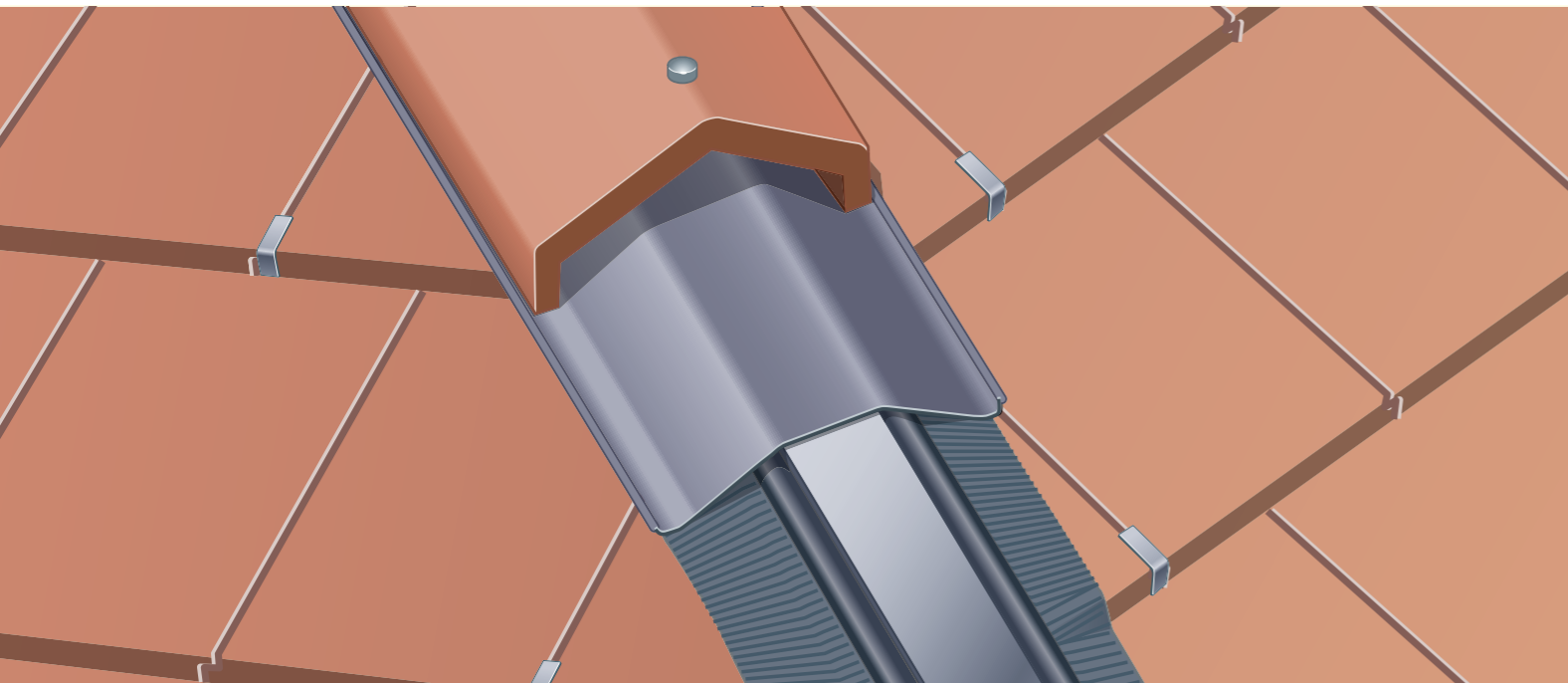
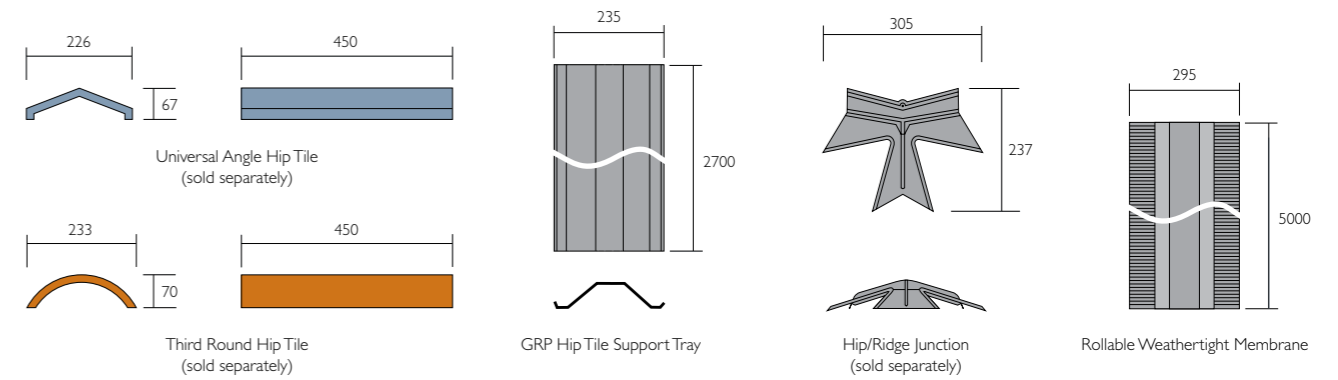
Each Dry Hip System pack contains sufficient components to secure 2.7 metres of concrete Hip Tiles. Each pack contains:

- Rollable Weathertight Membrane (grey) – 320mm x 2.75m
- Hip Tile Supports (Polypropylene – black)
- Hip Batten Straps (Stainless Steel)
- Spacer Blocks (PVC – black)
- Head Clips (Stainless Steel)
- Tail Clips (Aluminium)
- 100mm Woodscrews (Stainless Steel)
- Rafter Nails (Stainless Steel)
- Hip Batten Nails (Stainless Steel)

- In addition, concrete Hip Tiles with nail holes will be required in a colour to suit, with matching Block-End Hip Tiles at the eaves.
- A Hip/Ridge Junction will also be required where appropriate.

# CONTINUOUS HIP SYSTEM

The Continuous Hip System is an easy and quick-to-fit, maintenance-free hip system with very high resistance to storm damage. With no mortar required it removes concerns about mortar failure. The system also ventilates the batten cavity when used with Spirtech 400 2S underlay.



## FEATURES

- Hips are up to a third quicker to complete than when mortar bedded
- Hip Tiles are secured to the appropriate size hip batten using Stainless Steel woodscrews, which give exceptional resistance to wind uplift
- Provides a neat and attractive finish to the hip line
- Easy to install and can be used even when bad weather is expected
- Ventilates the batten cavity to comply with BS 5250:2011, therefore reducing the risk of harmful condensation in the roof (when used with Spirtech 400 2S vapour permeable underlay)
- Tried and tested and complies with BS 5534:2014 requirements for mechanical fixing

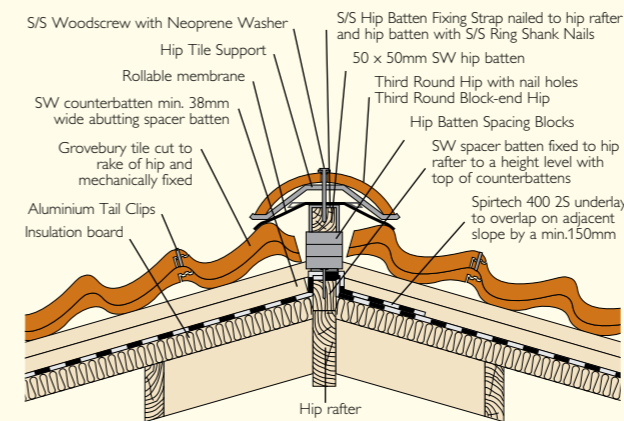
## COMPATIBILITY

- Suitable for use with the Continuous Ridge System and Uni-Vent Rapid Ridge/Hip
- Suitable for use with Third Round and Universal Angle Hip Tiles. For Hip Tile colour availability, see Fittings Colour Range tables on pages 73, 77 and 82
- Suitable for use with the Redland range of tiles and slates

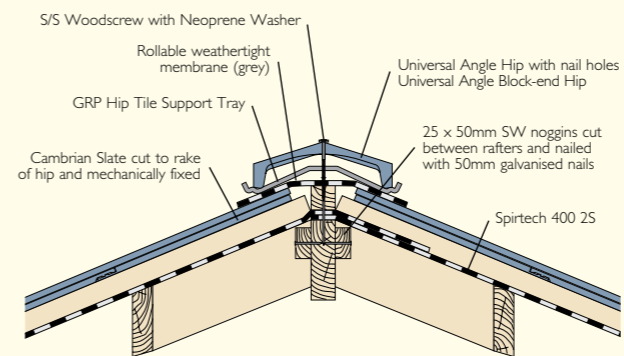
## PERFORMANCE

- Pitch range varies according to plan angle and tile profile. Please contact Technical Solutions on 03708 702595
- Minimum and maximum pitch will depend upon the minimum and maximum pitch of the roof pitches
- This system is designed for use where pitches to either side of the hip are equal. Where the roof pitches are uneven please contact Technical Solutions on 03708 702595

### CONTINUOUS HIP SYSTEM WITH THIRD ROUND HIPTILE (GROVEBURY)



### CONTINUOUS HIP SYSTEM WITH UNIVERSAL ANGLE HIP TILE (CAMBRIAN)



## GUIDANCE NOTES

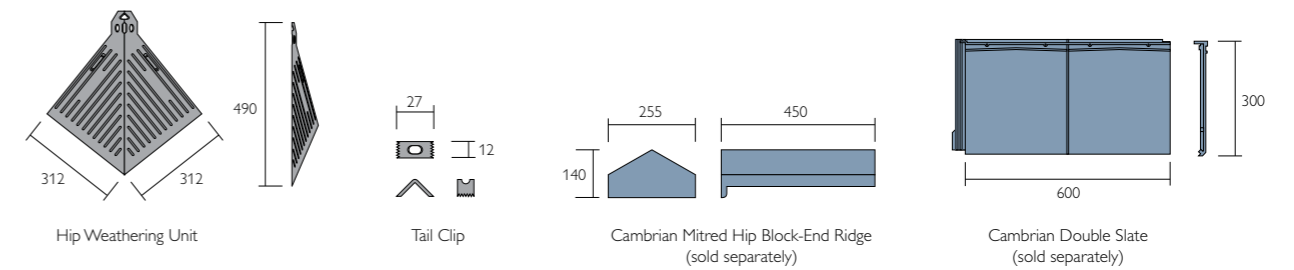
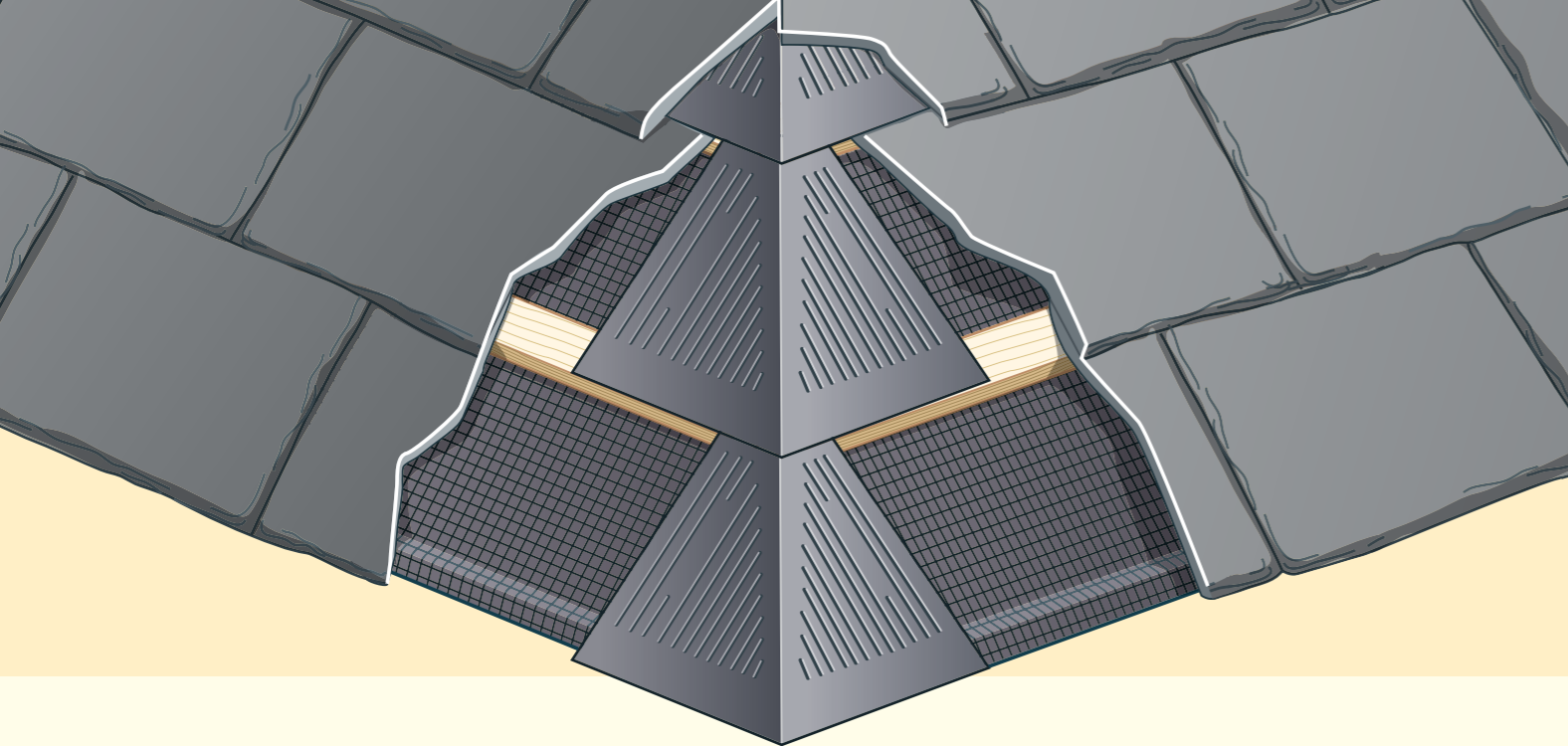
- The Continuous Hip System is suitable for traditional timber rafter, timber trussed rafter and rigid sarking constructions at all pitches and plan angles subject to limitation of tile types. Continuous Hip ventilates the batten cavity when used with Spirtech 400 2S underlay.
- Care must be taken when using timber sarking that the hip rafter is raised using timber batten(s) to ensure that the wood screw penetrates the hip batten by a minimum of 15mm.
- All profiles require a standard 50 x 50mm hip batten, with the exception of the Slate 10 range when this batten is reduced to 50 x 38mm for pitches up to 40° and 50 x 25mm above 40°. (Use a 50 x 38mm hip batten for Cambrian Slates above 25°).
- Ensure that the tile overhang at each eave is the same.
- The system should start at the eaves with a Block-End Hip Tile.
- For pitches up to 60° (and plan angle is 90°) where two hips intersect with a ridge, Hip/Ridge Junction should be used.
- For pitches above 60°, plan angles other than 90° or where the Continuous Hip System does not finish at a conventional ridge intersection with two hips, the Hip/Ridge junction should be completed with a Wvakaflex Rapid Flashing saddle.
- Cambrian Double Slates will be required on all courses on either side of each hip below 25°. At pitches greater than this Cambrian Slate-and-a-halfes can be used.
- For number of spacer blocks and maximum centres required see fixing instructions.

## COMPONENTS

Each Rapid Hip pack contains sufficient components to secure 5 metres of concrete Hip Tiles:

- Rollable Weathertight Membrane (grey) – 295mm x 5m
- GRP Hip Tile Support Tray (grey)
- Hip Batten Straps (Stainless Steel)
- Spacer Blocks (PVC – black)
- Head Clips (Stainless Steel)
- Tail Clips (Aluminium)
- 100mm Woodscrews (Stainless Steel)
- Rafter Nails (Stainless Steel)
- Hip Batten Nails (Stainless Steel)

- In addition, concrete Hip Tiles with nail holes will be required in a colour to suit, with matching Block-End Hip Tiles at the eaves.
- A 50 x 50mm or 50 x 38mm hip batten must be fixed.
- A Hip/Ridge Junction will also be required where appropriate.



## CAMBRIAN MITRED HIP SYSTEM

Specifically designed for use with Cambrian Slates to achieve a neat mitred hip detail, whilst ensuring very high resistance to storm damage over a wide range of rafter pitches and plan angles.

### FEATURES

- Provides a neat and attractive finish to the hip line
- Easy to install and can be used even when bad weather is expected
- Tried and tested and complies with BS 5534:2014 requirements for mechanical fixing

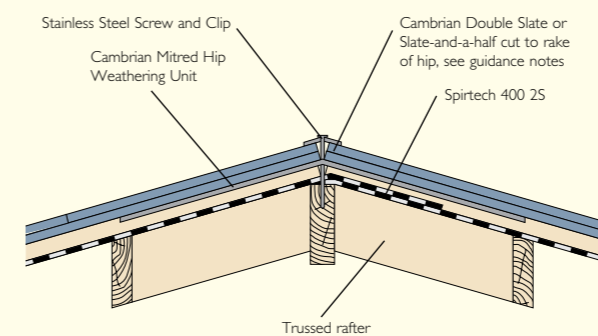
### COMPATIBILITY

- Suitable for use with all Cambrian Slate products

### PERFORMANCE

- At 90° plan angle, the minimum pitch is 15° and the maximum pitch is 80°. For other plan angles, refer to the table adjacent

### CAMBRIAN MITRED HIP SYSTEM



### PLAN ANGLE AGAINST ROOF PITCH SHOWING APPROVED USAGE

Roof Pitch (degrees)	Roof Plan Angle (degrees)															
	90	95	100	105	110	115	120	125	130	135	140	145	150	155		
15	•	-	-	-	-	-	-	-	-	-	-	-	-	-		
17.5	•	•	•	•	-	-	-	-	-	-	-	-	-	-		
20	•	•	•	•	•	-	-	-	-	-	-	-	-	-		
22.5	•	•	•	•	•	•	-	-	-	-	-	-	-	-		
25	•	•	•	•	•	•	•	-	-	-	-	-	-	-		
27.5	•	•	•	•	•	•	•	•	-	-	-	-	-	-		
30	•	•	•	•	•	•	•	•	•	-	-	-	-	-		
32.5	•	•	•	•	•	•	•	•	•	•	-	-	-	-		
35	•	•	•	•	•	•	•	•	•	•	•	-	-	-		
37.5	•	•	•	•	•	•	•	•	•	•	•	•	-	-		
40	•	•	•	•	•	•	•	•	•	•	•	•	•	-		
42.5	•	•	•	•	•	•	•	•	•	•	•	•	•	•		
45	•	•	•	•	•	•	•	•	•	•	•	•	•	•		
47.5	•	•	•	•	•	•	•	•	•	•	•	•	•	•		
50	•	•	•	•	•	•	•	•	•	•	•	•	•	•		
52.5	•	•	•	•	•	•	•	•	•	•	•	•	•	•		
55	•	•	•	•	•	•	•	•	•	•	•	•	•	•		
57.5	•	•	•	•	•	•	•	•	•	•	•	•	•	•		
60-80	•	•	•	•	•	•	•	•	•	•	•	•	•	•		
82.5-90	-	•	•	•	•	•	•	•	•	•	•	•	•	•		

### GUIDANCE NOTES

- The Cambrian Mitred Hip System is suitable for traditional timber rafter, timber trussed rafter and rigid sarking constructions.
- Suitable for hips with an equal pitch on both slopes.
- Care must be taken when using timber sarking that the hip rafter is raised using timber batten(s) to ensure that the wood screw penetrates the hip batten by a minimum of 15mm.
- Cambrian Double Slates will be required on all courses on either side of each hip below 45° pitch. At pitches of 45° and above, Cambrian Slate-and-a-Halves can be used. At pitches of 45° and below use a double slate for the top course at the ridge/hip junction.
- At the junction between two mitred hips and a universal angle duo ridge, a Cambrian Mitred Hip Block-End Ridge (product code 7211) should be used.
- Where a hip starts or finishes at a position other than a duo ridge or eaves, a lead or Wakaflex Rapid Flashing saddle will be required.

### COMPONENTS

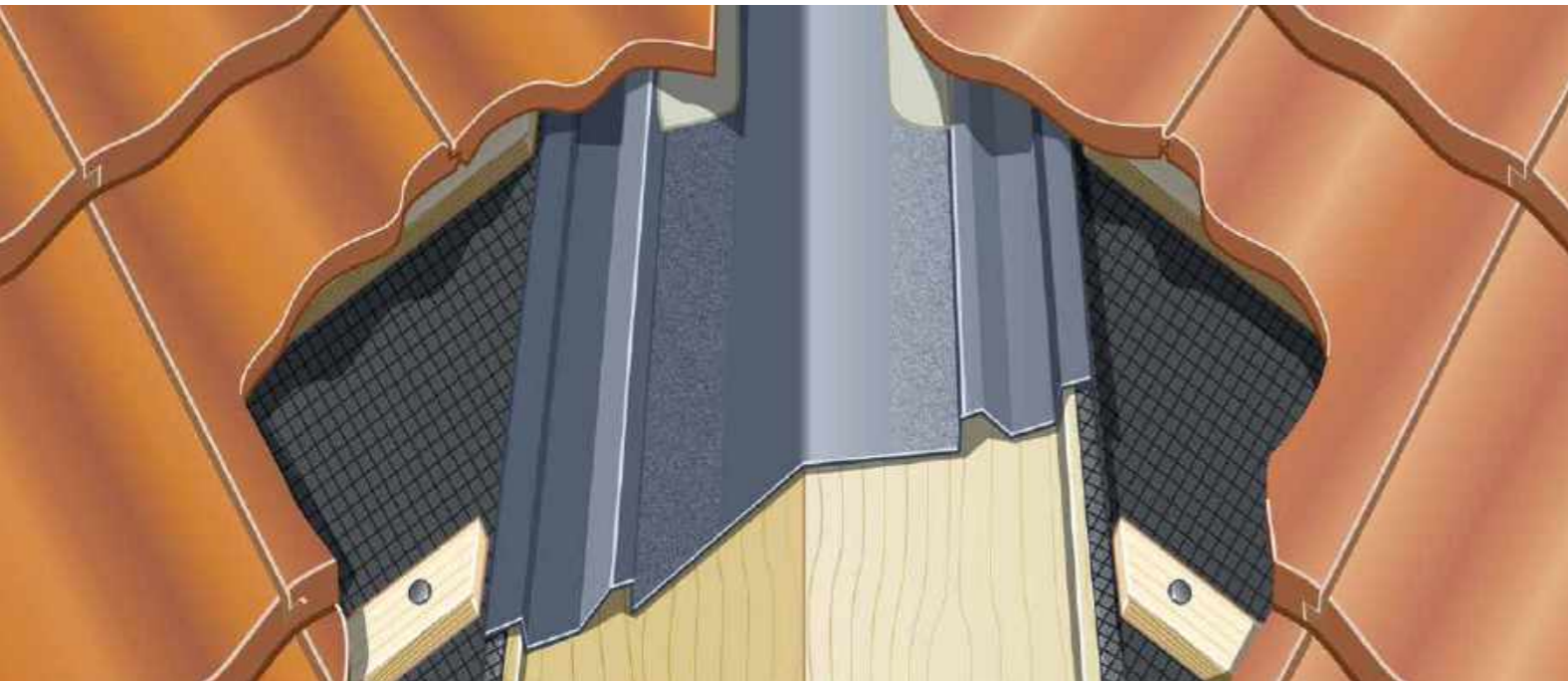
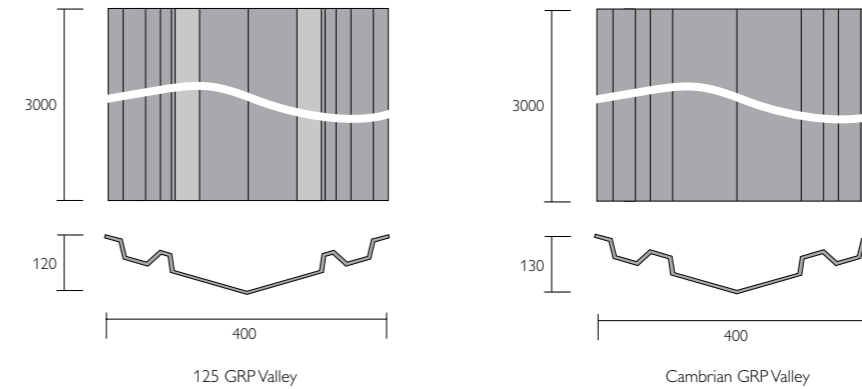
The Cambrian Mitred Hip System contains sufficient components in each pack for ten courses of slates.

#### Each pack contains:

- Hip Weathering Units (Polypropylene – grey) x 10
- Tail Clips and Screws (Stainless Steel) x 10

## 125 AND CAMBRIAN GRP VALLEY

Designed as a cost-effective alternative to lead, the 125 and Cambrian GRP Valleys are easy to fix, durable and lightweight. They are ideal for most types of roof design which have a valley junction between two roof slopes.



### FEATURES

- Easily cut and available in 3 metre lengths
- Tried and tested and complies with BS 5534:2014 requirements for valleys
- Fire tested to BS 476-3:2004
- Manufactured from long-lasting UV-resistant Glass Reinforced Polyester (GRP)

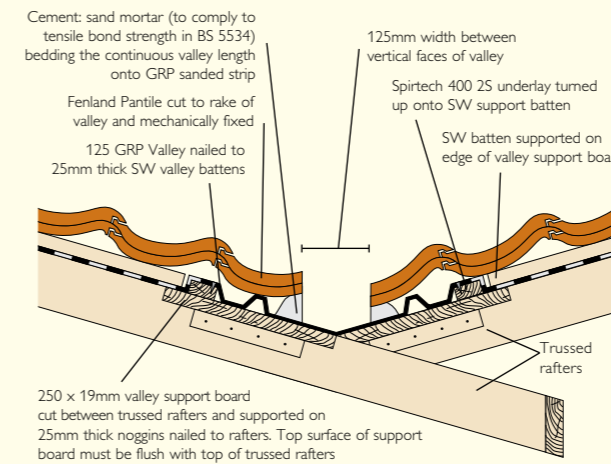
### COMPATIBILITY

- 125 Valley is suitable for all of the Redland range of tiles and slates (except Cambrian Slates for which the Cambrian GRP Valley is used)
- A specific version of this valley is available for natural slate

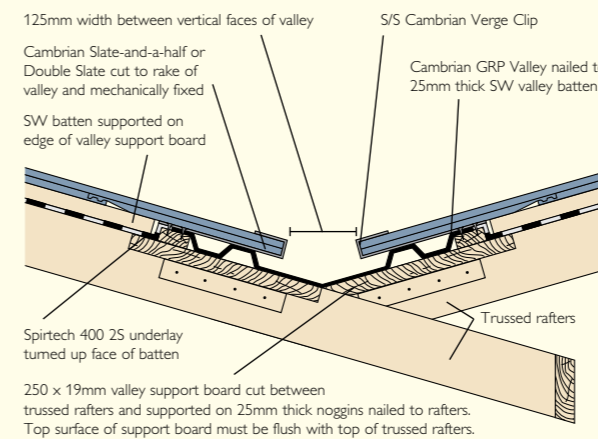
### PERFORMANCE

- Minimum pitch 17.5° at 90° plan angle
- Maximum pitch 45° at 90° plan angle
- For pitch range at plan angles other than 90° please contact Technical Solutions on 03708 702595
- Width of valley gutter 125mm
- Where roof plan area discharging into the valley is greater than 25m<sup>2</sup>, minimum rafter pitch is 30°
- Valley can accommodate a 5° pitch variance between slopes

### 125 GRP VALLEY (FENLAND PANTILE)



### CAMBRIAN GRP VALLEY (CAMBRIAN)



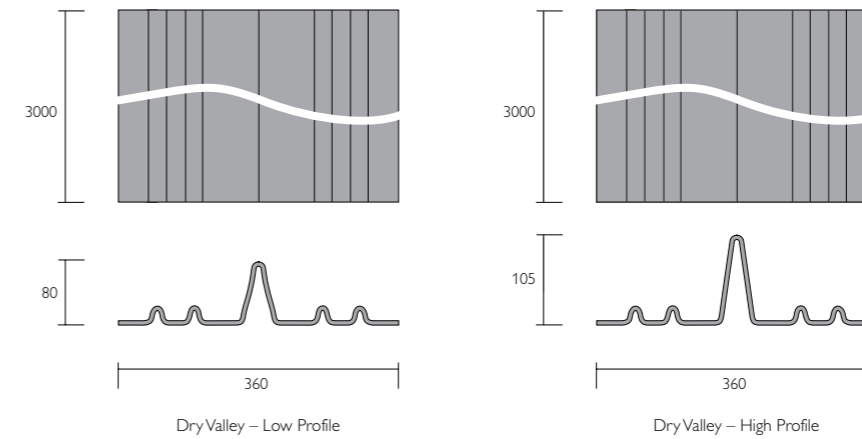
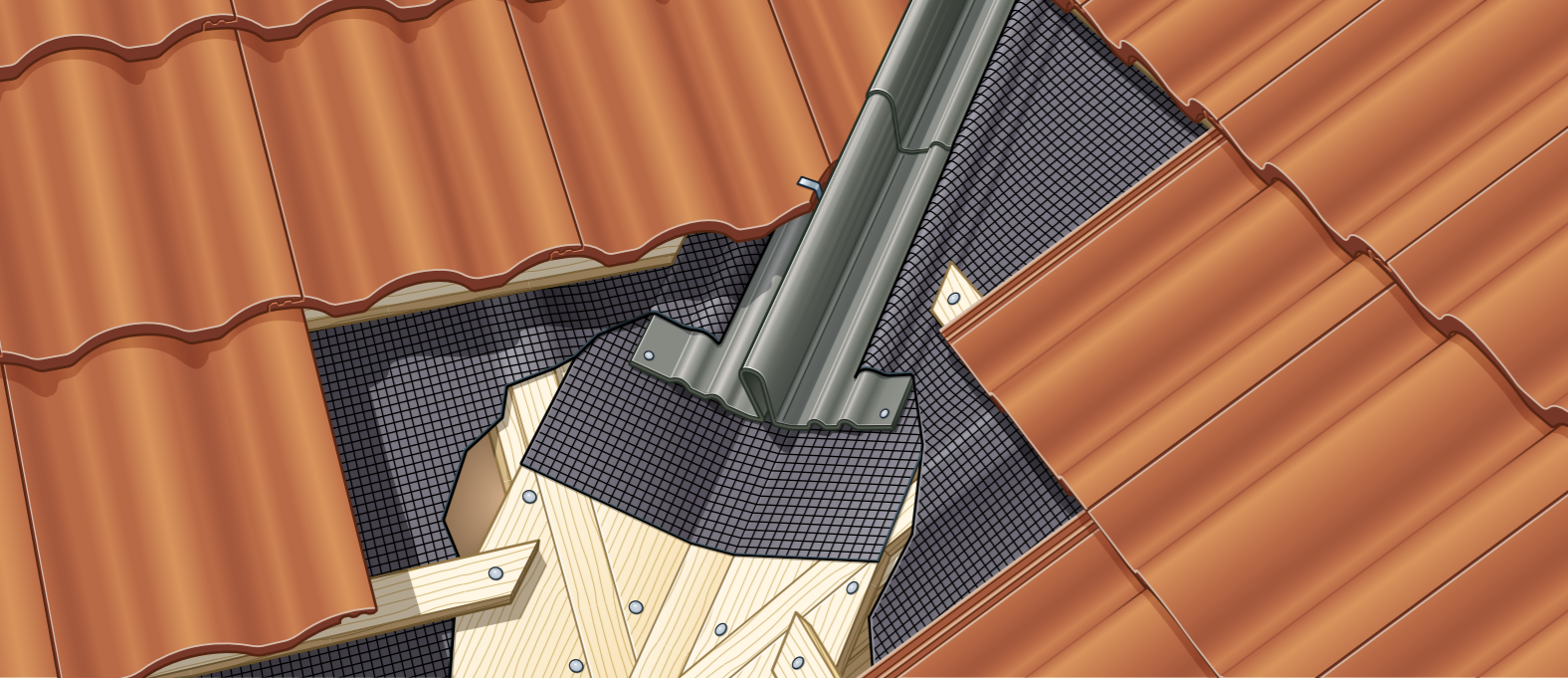
### GUIDANCE NOTES

- Lay the 125 or Cambrian GRP Valley on timber support boards, laid between rafters on noggins.
- At ridge/valley intersections, a lead or Wakaflex Rapid Flashing saddle is required.
- At the eaves, cut the GRP Valley to a 'V' to allow water to flow into gutters. The fascia board will require cutting to suit.
- Where the valley discharges onto tiling, a lead flashing or Wakaflex Rapid Flashing is required.
- Vapour permeable underlay can be laid either under the GRP Valley or up to the edge of the valley support batten.
- Cambrian Double Slates will be required on all courses on both sides of the valley below 25°. At pitches of 25° and above, Cambrian Slate-and-a-Halves can be used.

### COMPONENTS

#### 125 AND CAMBRIAN GRP VALLEY

Valley Size	3m x 0.4m
Material	Glass Reinforced Polyester (GRP)



## DRY VALLEY

Dry Valley is a mortar-free, dry-fix system that is fast to install in all weather conditions providing a neat, close cut and mitred finish.

### FEATURES

- Two products:
  - Dry Valley High Profile** – with a central upstand of 105mm
  - Dry Valley Low Profile** – with a central upstand of 80mm
- Available in standard lead grey colour
- Lightweight and flexible
- Safe and easy to cut
- Manufactured from long-lasting UV-resistant Glass Reinforced Polyester (GRP)

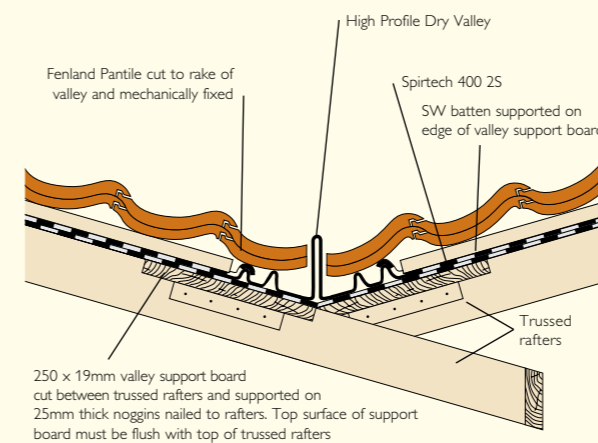
### COMPATIBILITY

- Designed to fit directly onto either existing or new valley support boards
- Dry Valley High Profile is compatible with Plain Tile, Heathland, Rosemary Clay plain tiles and all Redland profiled tiles
- Dry Valley Low Profile is compatible with natural slates, fibre-cement slates, all Redland slate appearance tiles, DuoPlain and Fontenelle Interlocking Clay Plain Tile

### PERFORMANCE

- Pitch range is 17.5 - 60° at any plan angle with a maximum difference between the two adjacent roof slopes of 20°
- Roof area on plan draining into valley is maximum 100m<sup>2</sup>
- No sealing or jointing material is required if the following overlaps and rafter pitches are used:
  - Below 22.5°: 350mm
  - 22.5 - 29.5°: 300mm
  - 30 - 39.5°: 200mm
  - 40° and above: 150mm

### DRY VALLEY (FENLAND PANTILE)



### GUIDANCE NOTES

- Lay the Dry Valley on timber support boards, laid between rafters on noggins.
- At ridge/valley intersections, a lead or Wakaflex Rapid Flashing saddle is required.
- At the eaves, cut the Dry Valley to a 'V' to allow water to flow into gutters. The fascia board will require cutting to suit.
- Where the valley discharges onto tiling, a lead flashing or Wakaflex Rapid Flashing is required.
- Vapour permeable underlay can be laid either under the Dry Valley or up to the edge of the valley support batten.
- Cambrian Double Slates will be required on all courses on both sides of the valley below 25°. At pitches of 25° and above, Cambrian Slate-and-a-halfes can be used.
- At the eaves, the end of Dry Valley central upstand is filled with Kompriband foam filler to prevent bird and insect ingress.

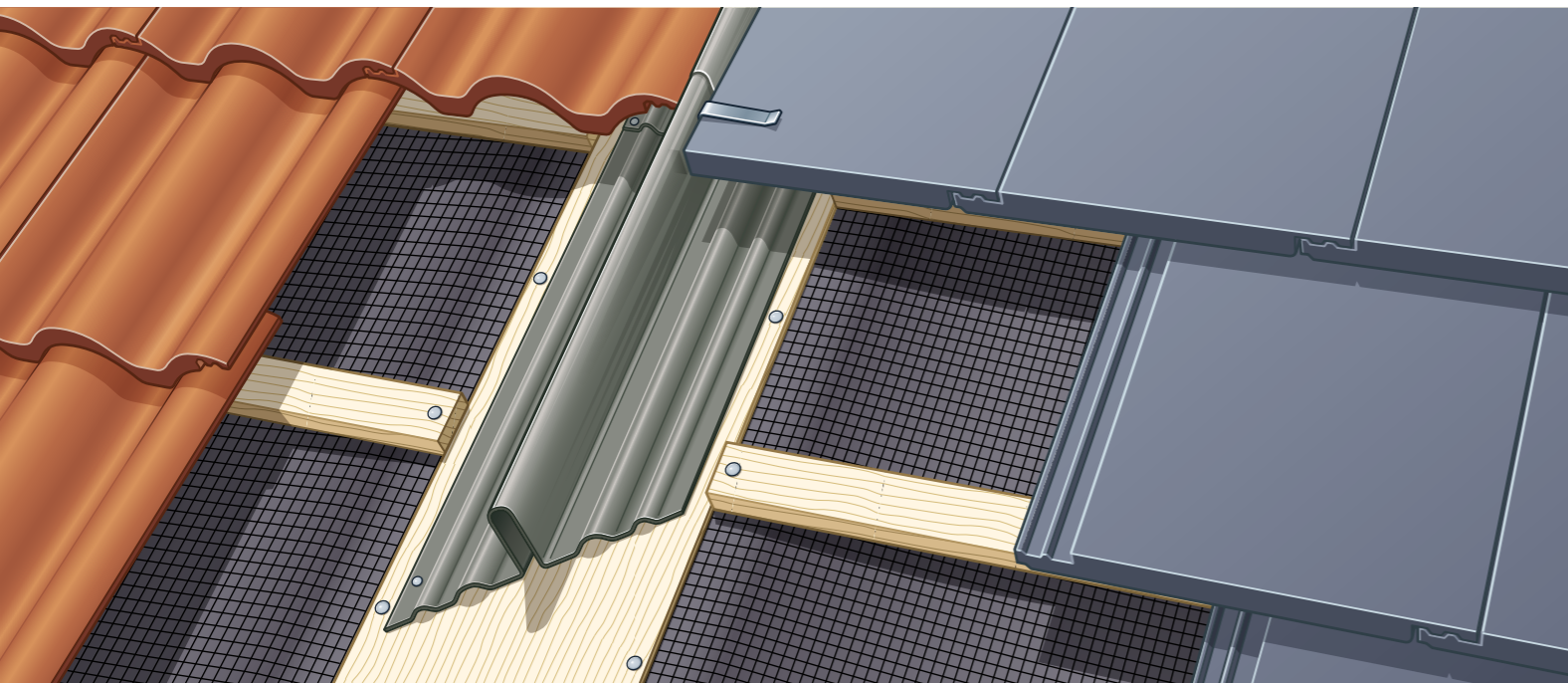
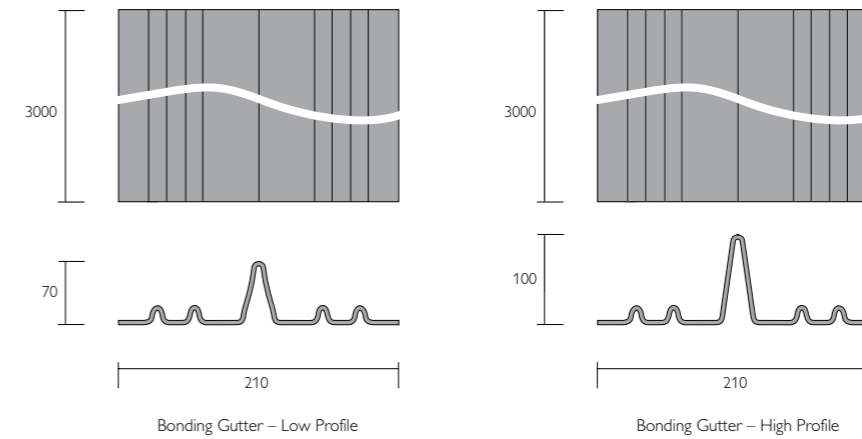
### COMPONENTS

DRY VALLEY	
Valley Size	3m x 0.36m
Material	Glass Reinforced Polyester (GRP)

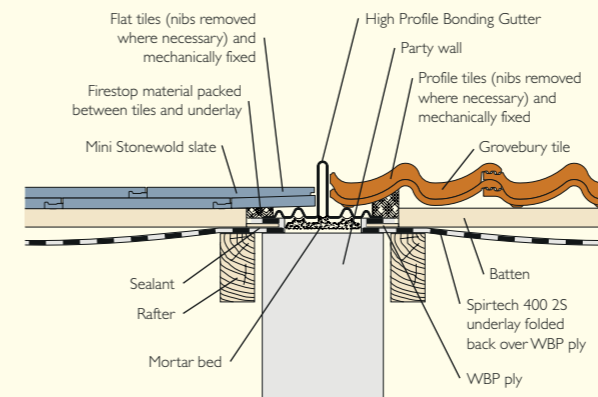


## BONDING GUTTER

Bonding Gutter is a mortar-free, dry-fix system designed to weatherproof the junction between two adjacent roof coverings. It is quick and easy to install in all weather conditions and provides a neat finish.



### HIGH PROFILE BONDING GUTTER (MINI STONEWOLD SLATE / GROVEBURY)



### GUIDANCE NOTES

- Remove battens over the wall back to rafters either side.
- Lay the Bonding Gutter onto 6mm WBP ply over separating wall. If wall is a firebreak then bed Bonding Gutter onto mortar over wall.
- At ridge, a lead or Wakaflex Rapid Flashing Saddle is required.
- At the eaves, project Bonding Gutter 50mm over the fascia into the gutter and fill end of Bonding Gutter central upstand with Kompriband foam filler to prevent bird and insect ingress.

### COMPONENTS

Gutter Size	3m x 0.21mm
Material	Glass Reinforced Polyester (GRP)

### FEATURES

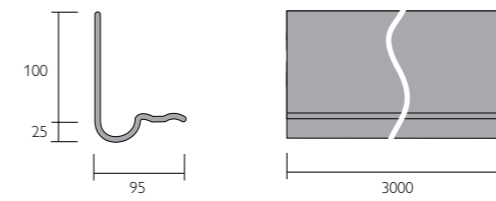
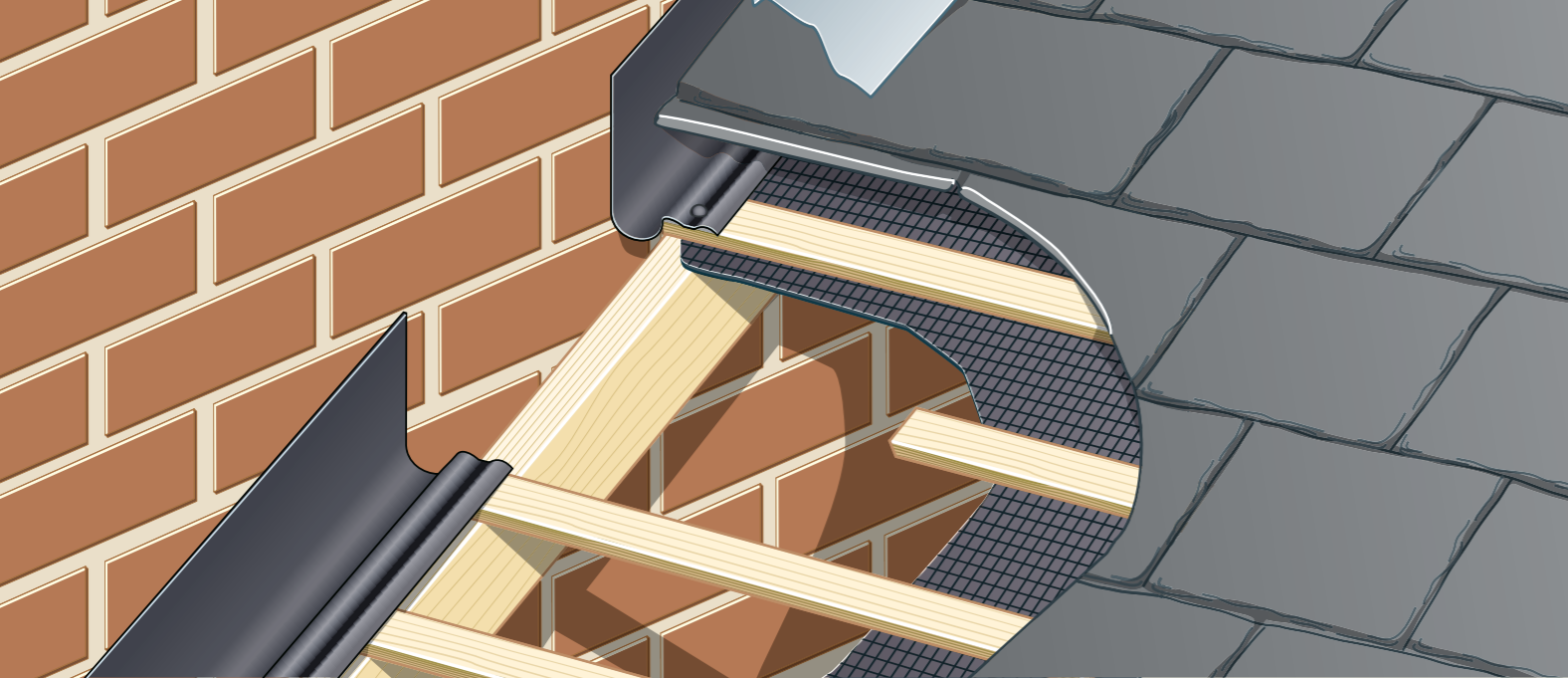
- Two products:
  - Bonding Gutter High Profile** – with a central upstand of 100mm
  - Bonding Gutter Low Profile** – with a central upstand of 70mm
- Available in standard lead grey colour
- Lightweight and flexible
- Safe and easy to cut
- Manufactured from long-lasting UV-resistant Glass Reinforced Polyester (GRP)

### COMPATIBILITY

- If one of the roof slopes has high profiled tiles, the Bonding Gutter High Profile will be required
- Bonding Gutter High Profile is compatible with Plain Tile, Heathland, Rosemary clay plain tiles and all Redland profiled tiles
- Bonding Gutter Low Profile is compatible with natural slates, fibre-cement slates, all Redland slate appearance tiles, DuoPlain and Fontenelle Interlocking Clay Plain Tile

### PERFORMANCE

- No sealing or jointing material is required if the following overlaps and rafter pitches are used:
  - Below 22.5°: 350mm
  - 22.5 - 29.5°: 300mm
  - 30 - 39.5°: 200mm
  - 40° and above: 150mm



Side Abutment GRP Secret Gutter

## SIDE ABUTMENT GRP SECRET GUTTER

The Side Abutment GRP Secret Gutter offers a secondary line of defence against wind-driven rain where a roof slope abuts a vertical wall. Being easy to cut and install makes this product an ideal solution for these otherwise complicated details.

### FEATURES

- Lightweight, easy to handle 3 metre lengths
- Fire tested to BS 476-3:2004

### COMPATIBILITY

- Suitable for all flat interlocking slates in the Redland range, DuoPlain and Fontenelle Interlocking Clay Plain Tile
- For Cambrian Slates use Standard Slates and Slate-and-a-Halves on alternate courses
- For all other slates use Left-hand Verge Slates with interlock removed and Left-hand Half Slates alternately on left-hand abutments. Use Standard Slates and Right-hand Half Slates alternately on right-hand abutments
- For DuoPlain use Standard Tiles with interlock removed and Left-hand 3/4 Tiles alternately on left-hand abutments. Use Standard Tiles and Right-hand 3/4 Tiles alternatively on right-hand abutments

- For Fontenelle Interlocking Clay Plain Tile use Left-hand Verge Tiles and Left-hand Verge Tile-and-a-Halves on left-hand abutments and standard tiles and Tile-and-a-Halves on right-hand abutments

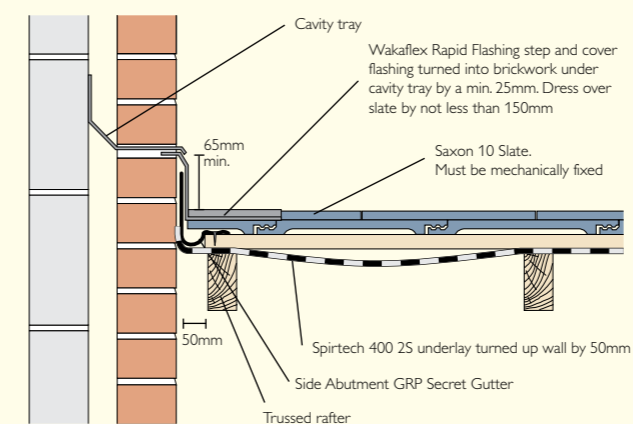
#### Gutter Overlap:

- 150mm overlap for rafter pitch 30° and above
- 200mm overlap for rafter pitch 22.5 - 29.5°
- 250mm overlap for rafter pitch 17.5 - 22°
- 300mm overlap for rafter pitch 15 - 17°

### PERFORMANCE

- Minimum pitch 15°
- Maximum pitch 90°

### SIDE ABUTMENT GRP SECRET GUTTER (SAXON 10 SLATE)



### GUIDANCE NOTES

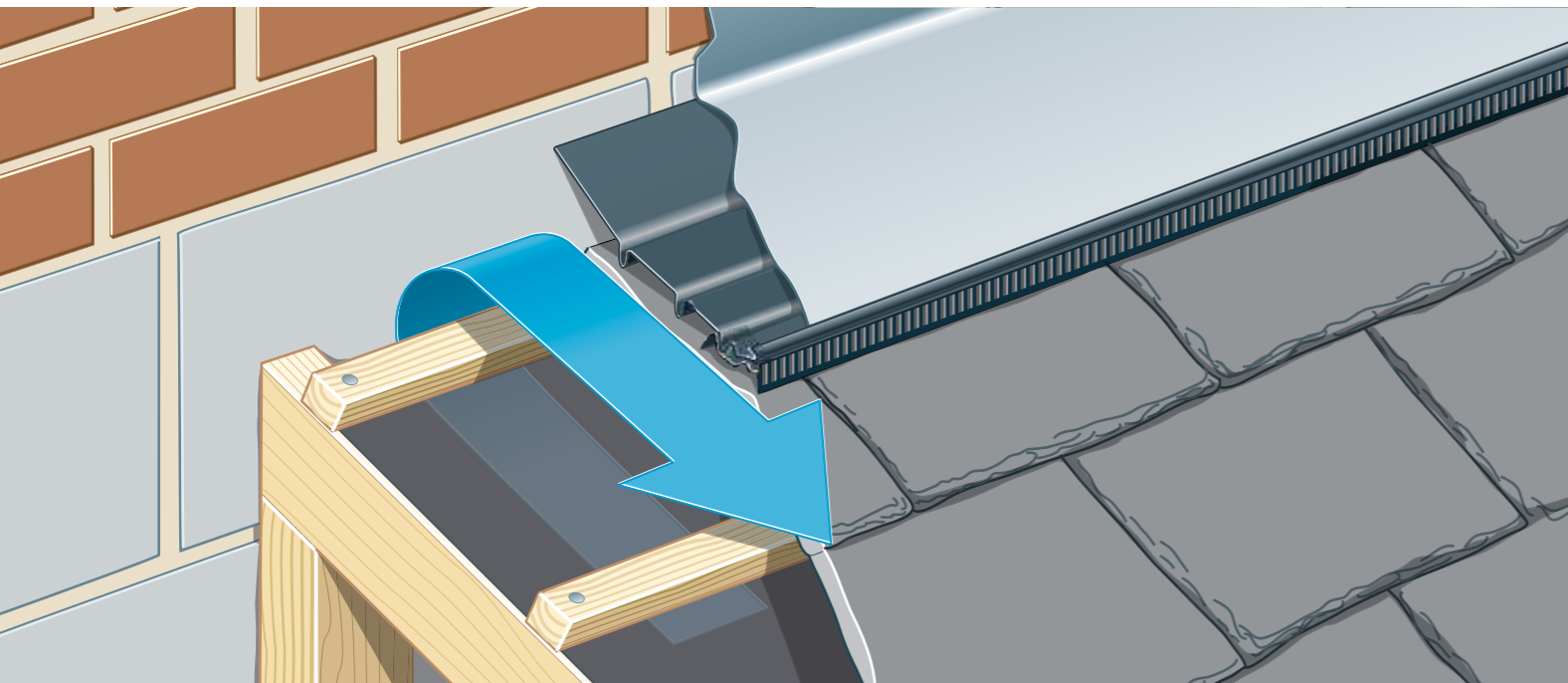
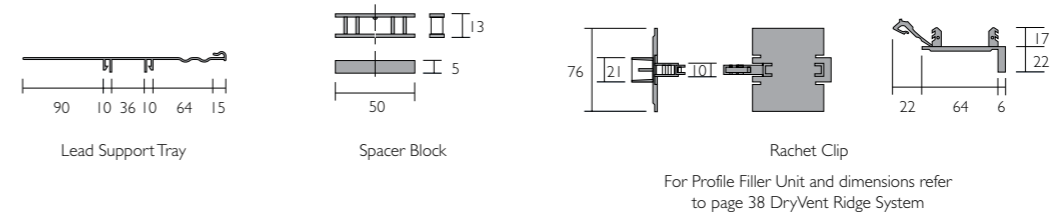
- Fix a timber tilting fillet to support a lead or Wakaflex Rapid Flashing secret gutter outlet at base of secret gutter. Gutter outlet should be splayed out to ensure that water is discharged into gutter at eaves or out over tiles immediately below side abutment, not as a concentrated flow.
- Finish underlay against wall.
- Finish tiling battens 55mm from wall and nail to final rafter.
- Mechanically fix all slates or tiles adjacent to the abutment.
- Where final rafter is less than 50mm from the wall, nail a 50 x 50mm batten to the side and flush with the top of the rafter to support ends of the tiling battens.
- Should always be used in conjunction with a step and cover flashing when used with flat interlocking tiles.
- Step and cover flashing can be either lead or Wakaflex Rapid Flashing.

### COMPONENTS

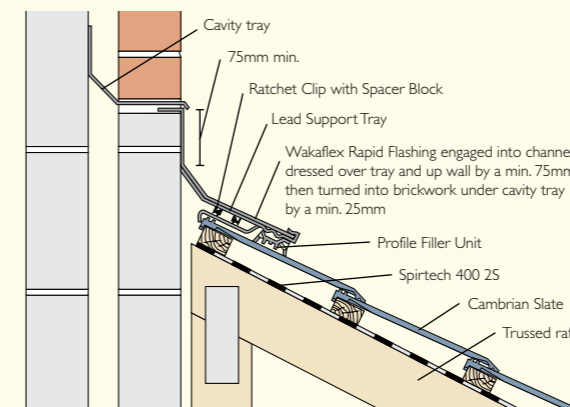
Gutter Size	3m x 0.95m
Material	Glass Reinforced Polyester (GRP)

# TOP EDGE ABUTMENT VENTILATION SYSTEM

The Top Edge Abutment Ventilation System provides a continuous, unobtrusive, ventilation path from the roof void to the outside. The innovative design enables the system and cover flashing to be installed far quicker than when traditional methods are used.



TOP EDGE ABUTMENT VENTILATION SYSTEM (CAMBRIAN)



## GUIDANCE NOTES

- Ensure that the air passage from the roof void is not obstructed.
- The Top Edge Abutment Ventilation System is suitable for both traditional timber rafter construction, timber trussed rafter and rigid sarking constructions.
- The system is designed to fit a straight and level abutment wall.
- Full fixing instructions are included with each pack.
- The cover flashing can be either lead or Wakaflex Rapid Flashing; neither are supplied in the pack.
- If using Wakaflex Rapid Flashing in an exposed location please contact Technical Solutions on 03708 702595.
- If using lead, sidelaps should be a minimum of 150mm and a maximum sheet length of 1.5m.
- Mechanically fix all tiles on the top course.

## COMPONENTS

- Each pack contains sufficient components for 3m of abutment:**
- Profile Filler Units (uPVC – grey) (tile specific)
  - Lead Support Trays (uPVC – grey)
  - Ratchet Clips and Spacer Blocks (uPVC – grey)

## FEATURES

- Ventilates to comply with BS 5250:2011, therefore reducing the risk of harmful condensation in the roof
- Tried and tested and complies with BS 5534:2014 requirements for mechanical fixing
- Profile Filler Units bespoke to each tile type
- Ideal for lean-to-extensions

## COMPATIBILITY

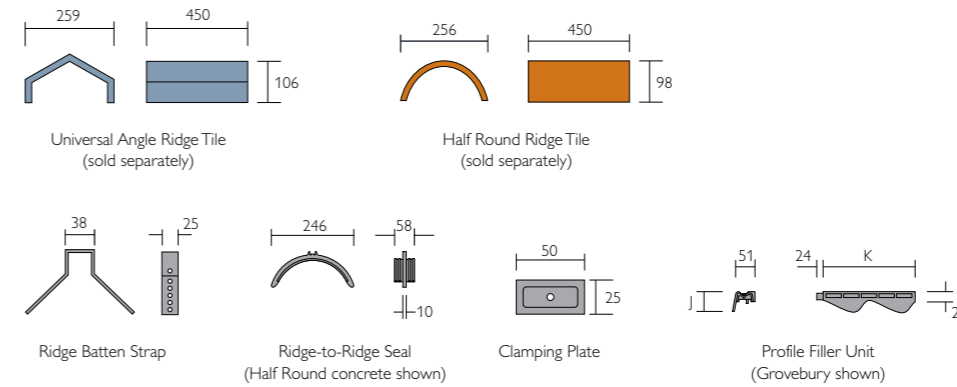
- Available for all tiles and slates in the Redland range except Cathedral Clay Pantile, Fenland Pantile, Redland 49, Postel Clay Tile and Old Hollow Clay Pantile
- For natural slate contact Technical Solutions on 03708 702595
- Can be used in conjunction with either lead or Wakaflex Rapid Flashing

## PERFORMANCE

- Minimum pitch will depend upon the minimum pitch of the roof tiles but must not be less than 15°
- Maximum pitch 60° (except Stonewold II 44°)
- The effective ventilation area per metre run of abutment is 5,000mm<sup>2</sup>

# DRYVENT RIDGE SYSTEM

The DryVent Ridge System provides a continuous weathertight ventilation path from the roof void to the outside. The system can also be easily converted when no high-level ventilation is required at the ridge. Both solutions provide an exceptionally durable method of securing ridge tiles. They are maintenance-free and require no mortar, delivering high resistance to storm damage.



Product Measurements (mm)		
Profile Filler Unit	J	K
Plain Tile appearance/Slate	21	450
Landmark Double Pantile	59	298
Landmark Double Roman	47	298
Regent	59	298
Grovebury	59	298
50 Double Roman	47	298
Renown	40	298

## FEATURES

- Profile Filler Units bespoke to each tile type
- Provides a neat and attractive finish to the ridge line
- Easy to install and can be used even when bad weather is expected
- Ventilates and complies with BS 5250:2011, therefore reducing the risk of harmful condensation in the roof
- Tried and tested and complies with BS 5534:2014 requirements for mechanical fixing

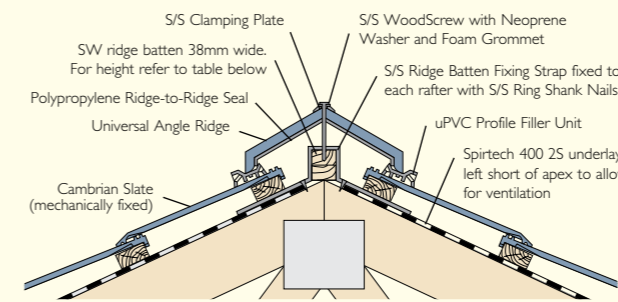
## COMPATIBILITY

- Available for all tiles and slates in the Redland range except Cathedral Clay Pantile, Fenland Pantile, Redland 49, Postel Clay Tile and Old Hollow Pantile
- Suitable for use with concrete Half Round and Universal Angle Ridge Tiles and Rosemary Clay Half Round Tiles (300mm). For Ridge Tile colour availability, see Fittings Colour Range Tables on pages 73, 77 and 82

## PERFORMANCE

- For minimum and maximum pitches, refer to the table on the next page
- Must not be used at rafter pitches below 15°

## DRYVENT RIDGE SYSTEM (CAMBRIAN)



## PITCH RANGE AND RIDGE BATTEN HEIGHT FOR DRY & DRYVENT RIDGE SYSTEM (38MM WIDE RIDGE BATTEN)

Roof Pitch (degrees)	15	17.5	20	22.5	25	27.5	30	32.5	35	37.5	40	42.5	45	47.5	50	52.5	55	57.5	60
<b>Half Round</b>																			
Landmark Double Pantile	100	100	75	75	75	75	75	50	50	50	50	50	50	50	50	50	-	-	-
Grovebury	100	100	75	75	75	75	50	50	50	50	50	25	25	25	25	25	-	-	-
Landmark Double Roman	-	75	75	75	75	75	50	50	50	50	50	25	25	25	25	25	-	-	-
50 Double Roman	-	75	75	75	75	75	50	50	50	50	50	25	25	25	25	25	-	-	-
Regent	100	100	100	75	75	75	75	75	50	50	50	50	50	50	50	20	-	-	-
Renown	-	75	75	50	50	50	50	50	50	25	25	25	25	25	25	25	-	-	-
DuoPlain	-	-	-	-	50	50	50	25	25	25	25	25	25	25	25	25	25	25	25
Fontenelle	75	75	75	75	50	50	50	50	50	25	25	25	25	25	25	25	25	25	25
Plain Tile	-	-	-	-	-	-	-	50	25	25	25	25	25	25	25	25	25	25	25
Heathland	-	-	-	-	-	-	-	50	25	25	25	25	25	25	25	25	25	25	25
<b>Universal Angle</b>																			
Natural Slate*	-	-	-	-	25	25	25	25	25	25	25	25	25	-	-	-	-	-	-
Cambrian Slate	50	50	50	50	50	25	25	25	25	25	25	25	25	-	-	-	-	-	-
Slate 10 Range	-	75	50	50	50	25	25	25	25	25	25	25	25	25	25	25	-	-	-
Stonewold II	-	75	75	50	50	50	25	25	25	25	25	25	25	-	-	-	-	-	-
Mini Stonewold	-	75	75	75	50	50	50	25	25	25	25	25	25	25	25	25	-	-	-
<b>Rosemary Half Round</b>																			
Natural Slate*	-	-	-	-	75	50	50	50	50	25	25	25	25	25	25	25	-	-	-
Cambrian Slate	75	75	75	75	75	75	50	50	50	25	25	25	25	25	25	25	-	-	-
Slate 10 Range	-	100	75	75	75	75	75	75	75	50	50	50	50	25	25	25	25	25	25
Fontenelle	100	100	100	100	75	75	75	75	75	50	50	50	50	25	25	25	25	25	25
Rosemary Clay Plain Tile	-	-	-	-	-	-	-	-	75	75	75	50	50	50	50	25	25	25	25

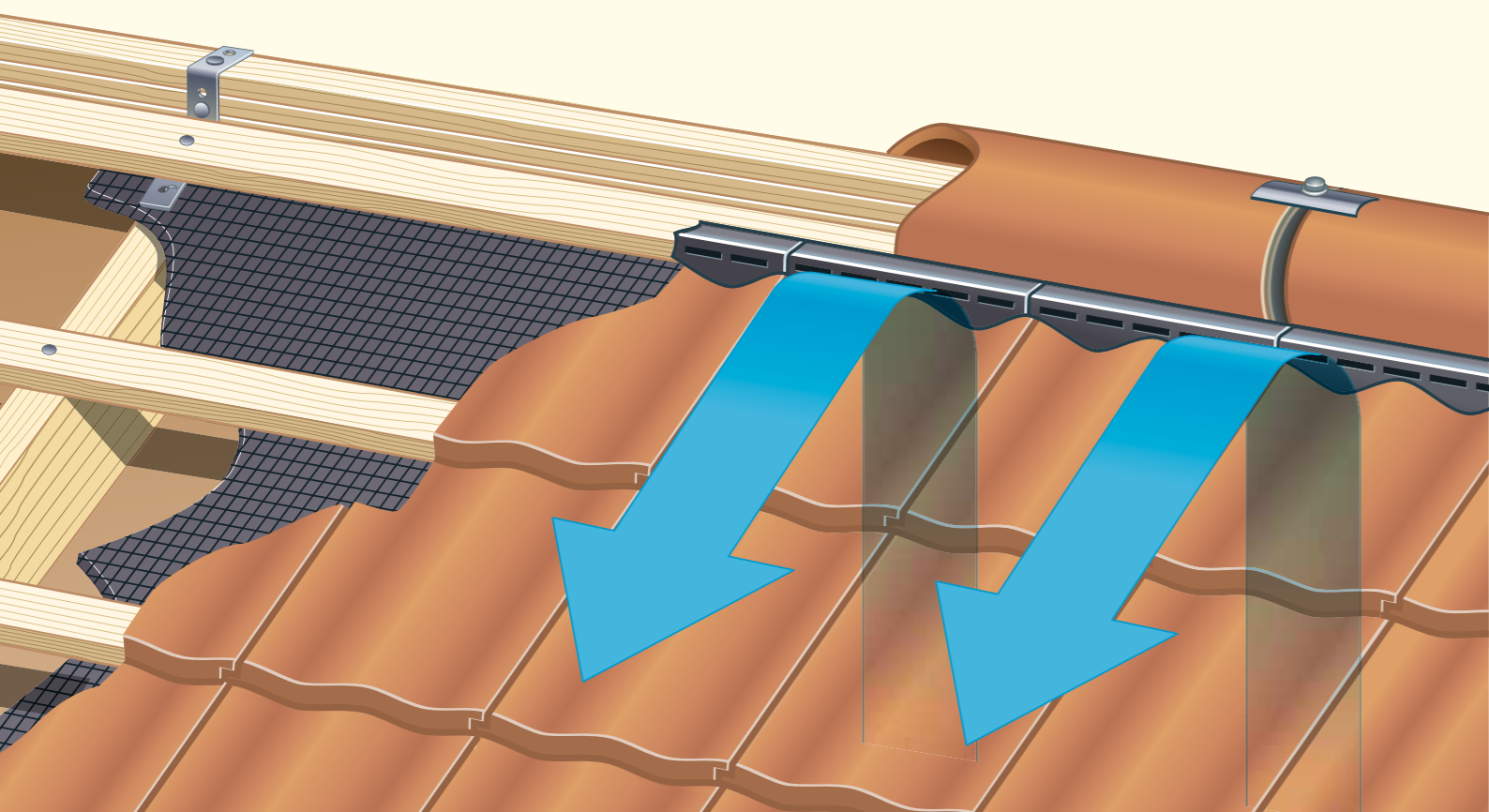
\*44° maximum pitch.  
 # 500 x 250mm Standard Pre-holed at 190mm from head. Pitch range depends upon exposure level.  
 Note: For Top Batten Distance from Apex please refer to the relevant product Fitting Instructions.  
 For pitches outside the above range please contact Technical Solutions on 03708 702595.  
 Pitches between those shown use the taller ridge batten height figure.

## GUIDANCE NOTES

- DryVent Ridge is suitable for traditional timber rafter, timber trussed rafter and rigid sarking constructions. The system is designed to fit a straight and level ridge line.
- When used with traditional timber rafters, the height of the ridge board above the apex of the rafters will alter the number of 38 x 25mm tile battens required to construct the ridge tree. This ensures that the ridge tile securing screw achieves a minimum 15mm of penetration.
- Where timber sarking is used with DryVent Ridge, sarking and underlay are left short of apex to allow 10mm air gap. Counterbattens are extended to form an apex to support the ridge tree batten.
- Special DryVent Ridge packs (9085) are required when using Ornamental Universal Angle Ridge Tiles.
- Where Gas Flue Ridge Terminals are used with DryVent Ridge refer to guidance notes on page 45.
- If this system is to be used with natural/fibre cement slates or unequal pitches, please contact Technical Solutions on 03708 702595.
- Counterbattens/rafters on adjacent roof slopes must be aligned.
- When no high level ventilation is desired, the underlay is taken over the apex of the ridge.
- Finish ridge ends with mortar, Block-End Ridge tile or Ridge End Caps.
- Mechanically fix all tiles in the top course.
- Rosemary Eave/Top Tile does not hang on the final plain tile course as for concrete plain tiles. Instead the Eave/Top Tile must be twice nailed to an additional batten that is turned on its side. Top and second top batten positions from apex are 35mm and 75mm respectively.
- A 38mm wide timber ridge batten must be fixed, the height of which will depend upon the profile of the tiles and the pitch of the roof (see table).

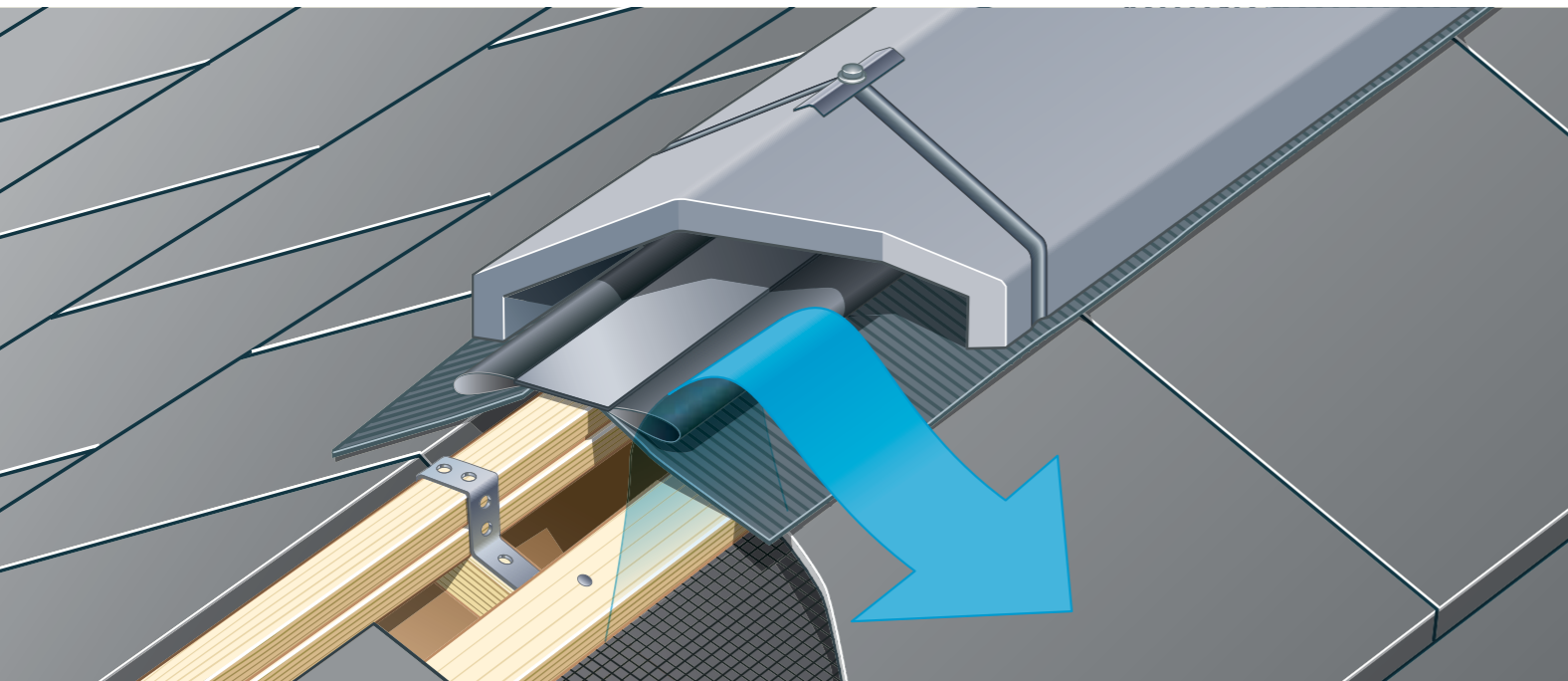
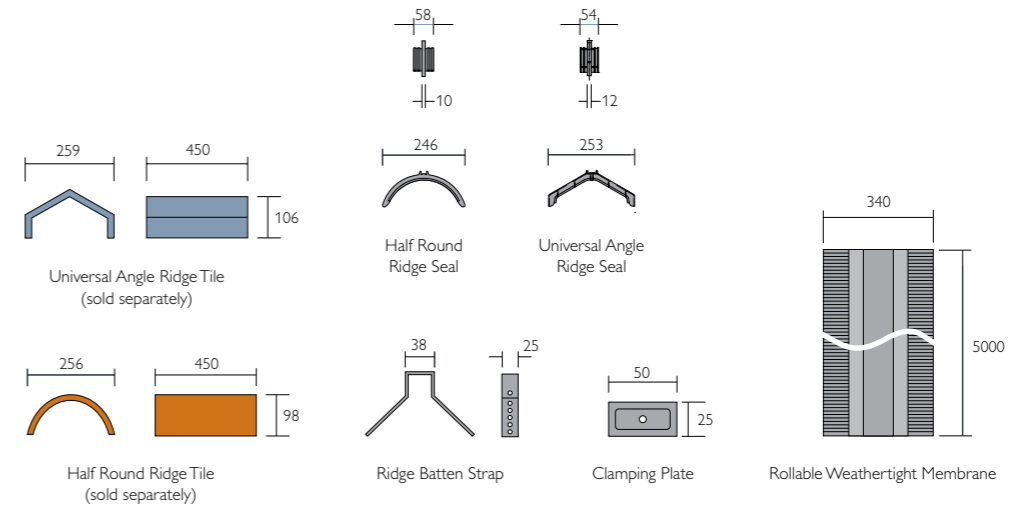
## COMPONENTS

- Each pack contains sufficient components to secure a 2.7 metre ridge line (1.8 metres for Rosemary tiles):
- Profile Filler Units (uPVC – grey); tile specific.
  - 6 Ridge-to-Ridge Seals (either Universal Angle or Half Round) (Polypropylene – black) with Stainless Steel woodscrews and clamp plates.
  - 6 Stainless Steel Ridge Batten Straps with 12 Stainless Steel ring shank nails.
  - In addition, Block-End Ridge Tiles or Ridge End Caps will be required for all ridge situations.

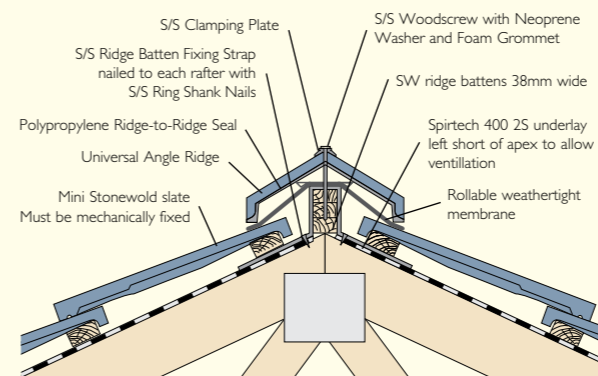


# CONTINUOUS RIDGE SYSTEM

The Continuous Ridge System provides both high-level ventilation and mechanically fixed ridge tiles. The system is a genuine alternative to a mortar-bedded ridge with the added advantage of being quicker and requiring less skill to install.



## CONTINUOUS RIDGE SYSTEM (MINI STONEWOLD)



## PITCH RANGE AND RIDGE BATTEN HEIGHT FOR CONTINUOUS RIDGE SYSTEM (38MM WIDE RIDGE BATTEN)

Roof Pitch (degrees)	12.5	15	17.5	20	22.5	25	27.5	30	32.5	35	37.5	40	42.5	45	47.5	50	52.5	55	57.5	
<b>Half Round</b>																				
Landmark Double Pantile	-	75	75	75	75	75	75	75	50	50	50	50	50	50	50	50	50	50	50	-
Grovebury	-	75	75	75	75	75	75	75	50	50	50	50	50	50	50	50	50	50	50	-
Landmark Double Roman	-	-	75	75	50	50	50	50	50	50	50	50	50	50	25	25	-	-	-	-
50 Double Roman	-	-	75	75	50	50	50	50	50	50	50	50	50	50	25	25	-	-	-	-
Regent	100	75	75	75	75	75	75	75	75	50	50	50	50	-	-	-	-	-	-	-
Renown	-	-	75	50	50	50	50	50	50	50	50	50	50	25	25	25	25	25	25	-
Fenland Pantile	-	-	75	75	75	75	75	75	75	75	75	75	50	50	-	-	-	-	-	-
Redland 49	-	-	50	50	50	50	50	50	50	50	25	25	25	25	25	25	-	-	-	-
Cathedral Clay Pantile	-	-	-	-	75	75	75	75	75	75	50	20	50	50	-	-	-	-	-	-
Postel Clay Tile	-	-	-	-	75	50	50	50	50	50	50	50	50	50	25	25	25	25	25	-
Plain Tile	-	-	-	-	-	-	-	-	-	25	25	25	25	25	25	25	25	25	25	-
Heathland DuoPlain	-	-	-	-	-	-	-	-	-	25	25	25	25	25	25	25	25	25	25	-
<b>Universal Angle</b>																				
Cambrian Slate	-	50	50	50	50	25	25	25	25	25	25	25	25	-	-	-	-	-	-	-
Slate 10 Range	-	-	-	-	50	50	50	50	50	50	25	25	25	25	25	25	-	-	-	-
Stonewold II	-	-	75	75	50	50	50	50	25	25	25	25	25	25*	-	-	-	-	-	-
Mini Stonewold	-	-	50	50	50	50	50	25	25	25	25	25	25	25	25	25	-	-	-	-
Natural Slate#	-	-	-	-	-	50	50	25	25	25	25	25	25	-	-	-	-	-	-	-

\* 44° Maximum Pitch. Pitches between those shown use smaller Ridge Batten Height. – For Top Batten distance from Apex please refer to the relevant product Fitting Instructions.  
# 500 x 250mm Standard Pre-Holed at 195mm from head. Pitch range depends upon exposure level. For pitches outside above range please contact Technical Solutions on 03708 702595.

## GUIDANCE NOTES

- The Continuous Ridge System is suitable for traditional timber rafter, timber trussed rafter and rigid sarking constructions. The systems are designed to fit a straight and level ridge line.
- When used with traditional timber rafters, the height of the ridge board above the apex of the rafters will alter the number of 38 x 25mm tile battens required to construct the ridge tree. This ensures that the ridge tile securing screw achieves a minimum 15mm penetration.
- Where timber sarking is used sarking and underlay are left short of apex to allow 10mm air gap. Counterbattens are extended to form an apex to support the ridge tree batten.
- Counterbattens/rafters on adjacent roof slopes must be aligned and extended to form an apex.
- Finish ridge ends with mortar, Block-End Ridge Tiles or Ridge End Caps.
- For use with unequal pitches please contact Technical Solutions on 03708 702595.
- For use with natural slate please contact Technical Solutions on 03708 702595.
- Mechanically fix all tiles on the top course.

## COMPONENTS

- Each pack contains sufficient components to secure a 5 metre ridge line:**
- 5 metres of Rollable Weathertight Membrane.
  - 11 Ridge-to-Ridge Seals (either Universal Angle or Half Round) (Polypropylene – black) with Stainless Steel woodscrews and clamp plates.
  - 9 Stainless Steel Ridge Batten Straps with 18 Stainless Steel ring shank nails.
  - 2 Stainless Steel End Ridge Fixings.

## ACCESSORIES

- In addition, Block-End Ridge Tiles or Ridge End Caps will be required for all ridge situations.

## FEATURES

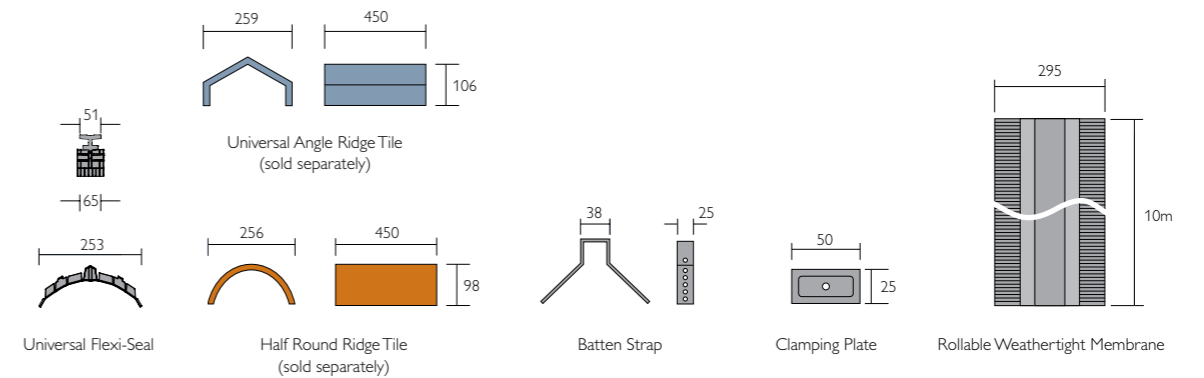
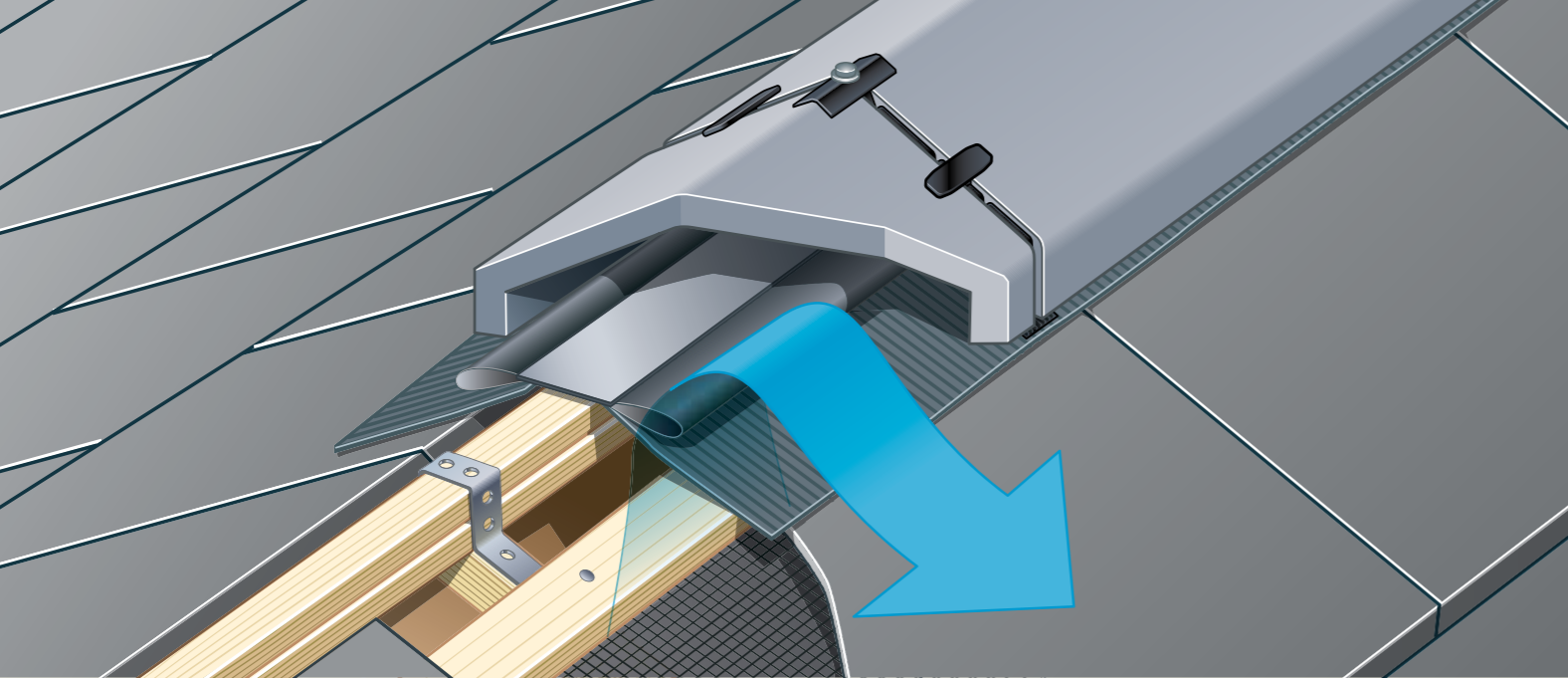
- Uses Ridge-to-Ridge Seals that match the profile of the Redland ridge tiles perfectly to give a guaranteed weathertight seal
- Traditional appearance
- Up to 33% quicker to fit than a mortar-bedded ridge
- Easy to install and can be laid even when bad weather is expected
- Continuous Ridge Systems ventilate and comply with BS 5250:2011, therefore reducing the risk of harmful condensation in the roof void
- Tried and tested and complies with BS 5534:2014 requirements for mechanical fixing

## COMPATIBILITY

- Compatible with natural slate, concrete slates, profile tiles and plain tiles
- Not compatible with Old Hollow Clay Pantile or Fontenelle Interlocking Clay Plain Tile
- For Ridge Tile colour availability, see Fittings Colour Range Tables on pages 73, 77 and 82
- For Rosemary clay tiles please contact Technical Solutions on 03708 702595
- Not compatible with Ridge Vent Terminals, Gas Flue Terminals, Clay or Half Round Ridge

## PERFORMANCE

- For minimum and maximum pitches, refer to the table on the next page



## UNI-VENT RAPID RIDGE/HIP

Uni-Vent Rapid Ridge/Hip is a simple and quick to install system providing a secure, weatherproof and mortar-free universal solution for the mechanical fixing of ridge and hip tiles.

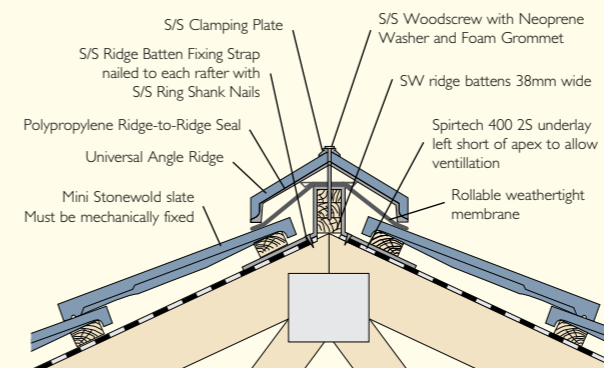
### FEATURES

- Uses a flexible ridge-to-ridge seal to enable use with both Half Round and Universal Angle concrete ridge tiles and similar ridge profiles
- Traditional appearance
- Up to 33% quicker to fit than a mortar bedded ridge
- Easy to install and can be laid even when bad weather is expected
- Uni-Vent Rapid Ridge/Hips ventilate and comply with BS 5250:2011, therefore reducing the risk of harmful condensation in the roof void
- Complies with BS 5534:2014 requirements for mechanical fixing

### COMPATIBILITY

- Compatible with natural slate, concrete slates, profile tiles and plain tiles
- Not compatible with Old Hollow Clay Pantile, Cathedral Clay Pantile or Fontenelle Interlocking Clay Plain Tile
- For Ridge Tile colour availability, see Fittings Colour Range Tables on pages 73, 77 and 82
- For Rosemary clay tiles please contact Technical Solutions on 03708 702595
- Not compatible with Ridge Vent Terminals, Gas Flue Terminals, Clay Half Round Ridge or Ornamental Ridge

### UNI-VENT RAPID RIDGE/HIP (MINI STONEWOLD)



### GUIDANCE NOTES

- The Uni-Vent Rapid Ridge/Hip is suitable for traditional timber rafter, timber trussed rafter and rigid sarking constructions. The systems are designed to fit a straight and level ridge line.
- When used with traditional timber rafters, the height of the ridge board above the apex of the rafters will alter the number of 38 x 25mm tile battens required to construct the ridge tree. This ensures that the ridge tile securing screw achieves a minimum 15mm penetration.
- Where timber sarking is used sarking and underlay are left short of apex to allow 10mm air gap. Counterbattens are extended to form an apex to support the ridge tree batten.
- Counterbattens/rafters on adjacent roof slopes must be aligned and extended to form an apex.
- Finish ridge ends with mortar, Block-End Ridge Tiles or Ridge End Caps.
- For use with unequal pitches please contact Technical Solutions on 03708 702595.
- For use with Natural Slate please contact Technical Solutions on 03708 702595.
- Mechanically fix all tiles on the top course.

### COMPONENTS

Each pack contains sufficient components to secure a 10 metre ridge line:

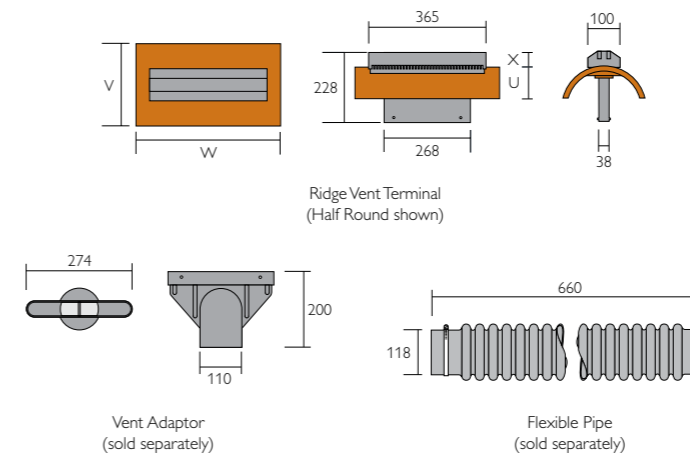
- 10 metres of Rollable Weathertight Membrane.
- 22 Universal Flexi-Seals with Stainless Steel woodscrews and Clamping Plates.
- 17 Stainless Steel Batten Straps with 34 Stainless Steel ring shank nails.

### ACCESSORIES

- In addition, Block-End Ridge Tiles or Ridge End Caps will be required for all ridge situations.
- For use on hips, the following accessories are also available:
  - Hip Support Tray (1.2m)
  - Kro-Clips

# RIDGE VENT TERMINAL

The Ridge Vent Terminal can be used for soil pipe, roof space ventilation or mechanical extraction. It can be incorporated into a DryVent Ridge or a mortar bedded ridge.



Product Measurements (mm)				
Ridge Tile	U	V	W	X
Half Round	98	256	450	52
Universal Angle	106	255	450	34
Rosemary Half Round	128	256	450	52

## FEATURES

- Ventilates to comply with BS 5250:2011, therefore reducing the risk of harmful condensation in the roof
- Tried and tested and complies with BS 5534:2014 requirements for mechanical fixing
- Complies with BS EN 12056-2:2000 Gravity Drainage Systems Inside Buildings

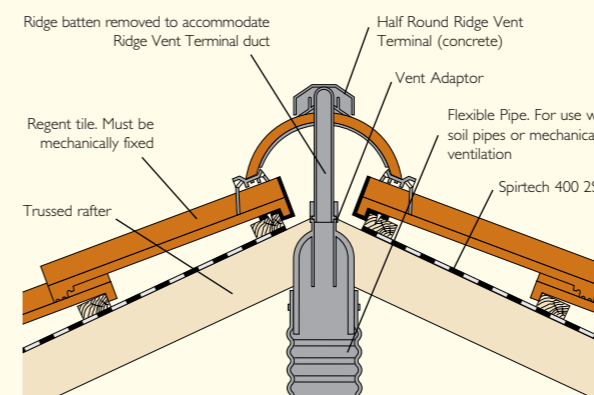
## COMPATIBILITY

- Available in concrete Half Round and Universal Angle Ridge Tiles and Rosemary clay Half Round Ridge Tiles
- Not suitable for use with Uni-Vent Rapid Ridge/Hip, Continuous Ridge System or on hip details
- Cannot be used as a gas flue
- For available colours, see Fittings Colour Range Tables on pages 73, 77 and 82

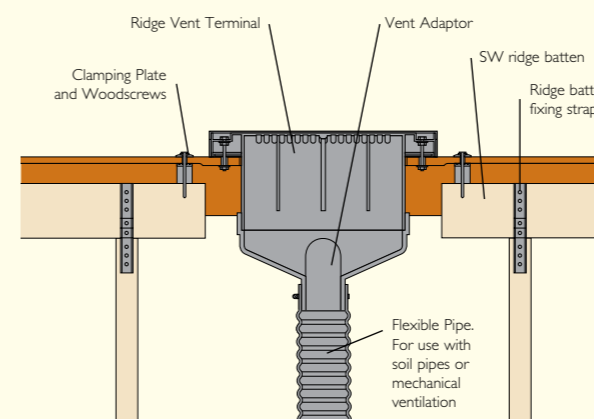
## PERFORMANCE

- Minimum and maximum pitch will depend on the tile profile and whether ridge tiles are dry fixed or mortar bedded
- The effective ventilation area for each terminal is 8,400mm<sup>2</sup>
- To achieve roof space ventilation of 5,000mm<sup>2</sup>/m run, they should be spaced at 1.68m centres
- The pressure/air flow resistance characteristics of the terminal are as follows:
  - At 15 litres/sec – 6.5 Pa
  - At 30 litres/sec – 26 Pa
  - At 60 litres/sec – 104 Pa

## HALF ROUND RIDGE VENT TERMINAL (CONCRETE) WITH DRYVENT RIDGE SYSTEM (REGENT)



## SECTION THROUGH RIDGE VENT TERMINAL WITH DRYVENT RIDGE SYSTEM (UNDERLAY OMITTED FOR CLARITY)



## GUIDANCE NOTES

- Ridge Vent Terminals are suitable for timber trussed rafter and timber sarking constructions. Where traditional timber rafter construction is used, trimmers will be required for each terminal position to allow a 300mm section of the ridge board to be removed.
- Where Ridge Vent Terminals are used in conjunction with DryVent Ridge and are required in close proximity, at least one rafter spacing will be required between each terminal to allow adequate fixing of the ridge batten after a section has been removed.
- The position of the Ridge Vent Terminal should not be within 600mm of a gas flue such that foul gases can vent back into the building.
- The Ridge Vent Terminal is not suitable where extracted air exceeds 80°C. Please use the Gas Flue Ridge Terminal (see next page).
- For soil pipe termination do not install within 3 metres horizontally and 900mm vertically of an opening e.g. roof windows and roof space ventilation.
- When connected to pipework or ducting, it is recommended that where water is likely to accumulate, joints are sealed and a condensation trap is fitted.

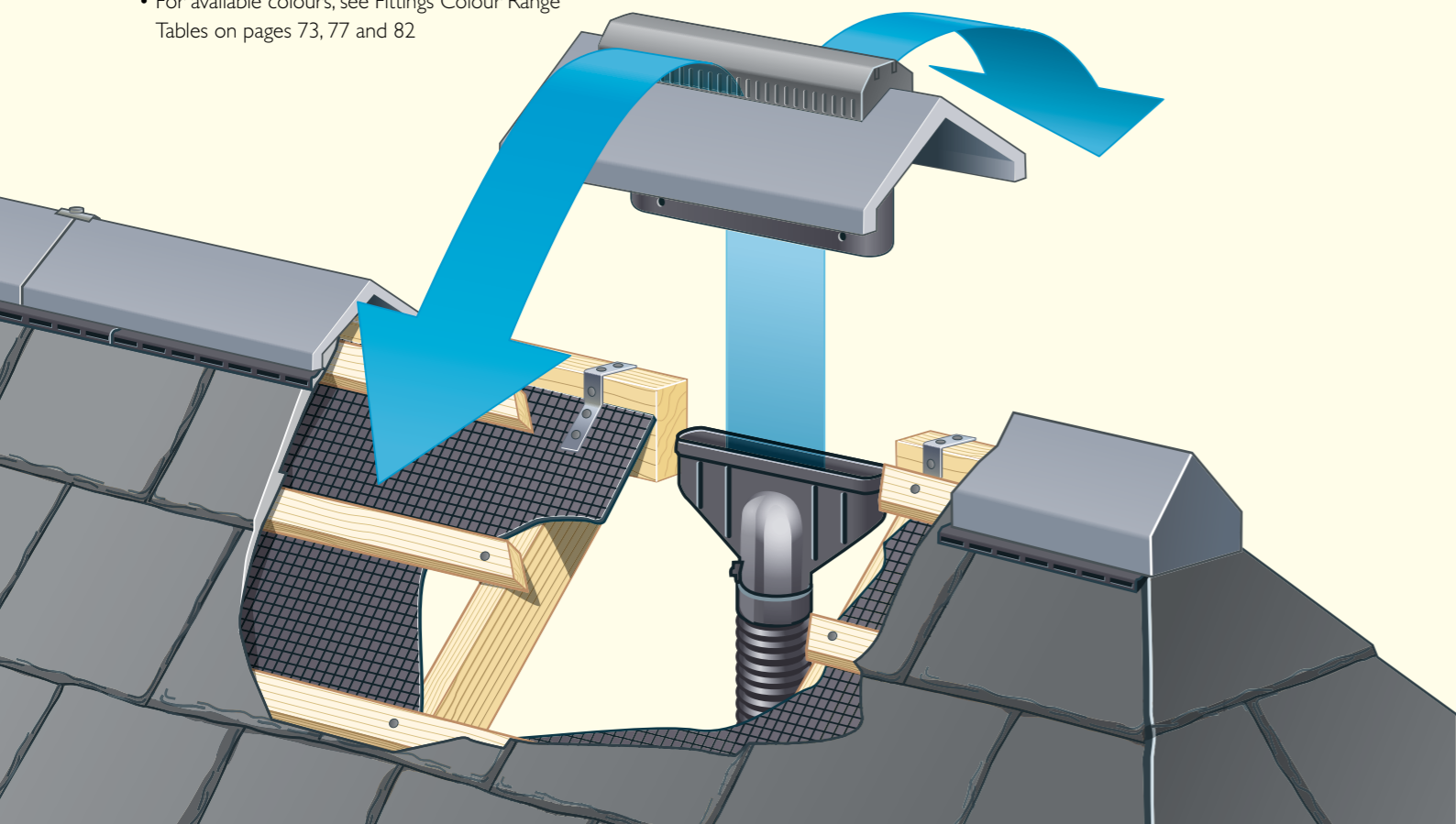
## COMPONENTS

Each Ridge Vent Terminal is supplied ready assembled from the following:

- Terminal cap and duct (uPVC – grey)
- Ridge Tile (concrete/clay – various)

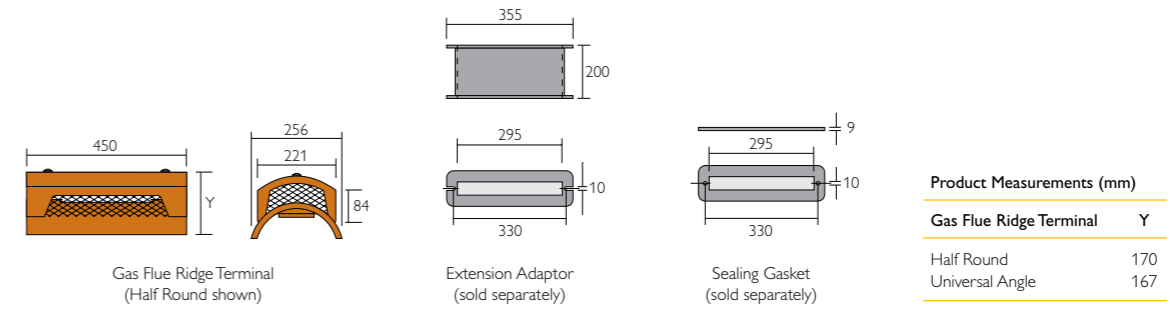
## ACCESSORIES

- Vent Adaptor
- Flexible Pipe



# GAS FLUE RIDGE TERMINAL

The Gas Flue Ridge Terminal is designed for use on duo-pitched roofs in conjunction with concrete Half Round or Universal Angle Ridge Tiles on DryVent Ridge or bedded ridges. The Terminal is of low airflow resistance design, to enable flue gases to escape even under high wind speed conditions.



## FEATURES

- The Terminal is of low resistance to prevent spillage occurring under certain wind speed conditions and complies with BS 5534:2014 requirements for mechanical fixing
- Complies with BS 5440-2:2009. Flueing and ventilation for gas appliances of rated input not exceeding 70kW net

## COMPATIBILITY

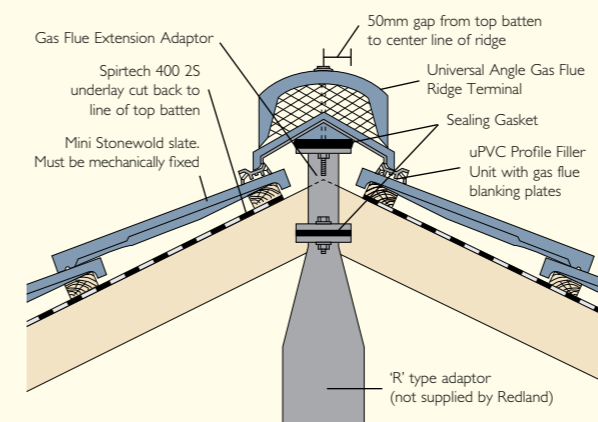
- Available in concrete Half Round and Universal Angle Ridge Tiles
- Available in a limited range of Traditional and Heritage colours only. For available colours, see Fittings Colour Range Tables on pages 73, 77 and 82
- Gas Flue Blanking Plates packs are required when used in conjunction with DryVent Ridge System
- Not suitable for use with Continuous Ridge Systems or Uni-Vent Rapid Ridge/Hip

- Not suitable for gas-fired condensing boilers
- Not suitable for use as a ventilation tile. For roof space, mechanical and soil pipe ventilation, please use the Redland Ridge Vent Terminal

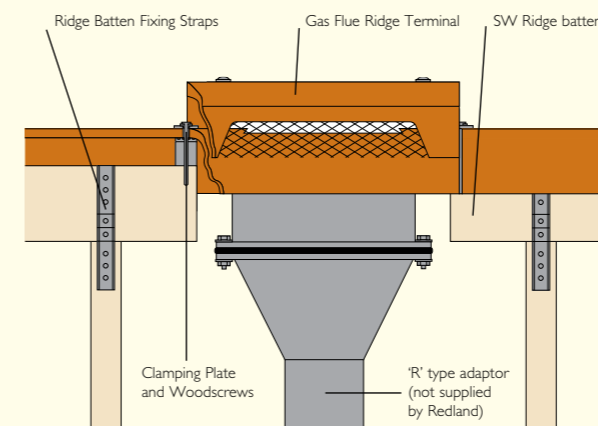
## PERFORMANCE

- Minimum and maximum pitch will depend on the tile profile and whether ridge tiles are dry fixed or mortar bedded
- The Terminal is suitable for gas appliances of rated input not exceeding 60kW, but it is not suitable for terminating flues from traditional coal or oil burning appliances. Please check suitability with your gas coal effect fire supplier
- This product is only suitable where the flue can be terminated through a 100mm or 125mm type 'R' adaptor (not supplied by Redland)

## GAS FLUE RIDGE TERMINAL WITH DRYVENT RIDGE SYSTEM (MINI STONEWOLD)

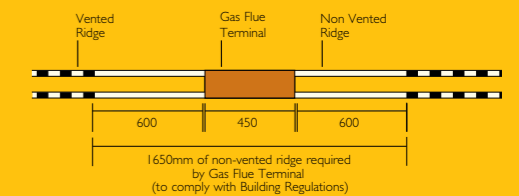


## SECTION THROUGH GAS FLUE RIDGE TERMINAL WITH DRYVENT RIDGE SYSTEM (UNDERLAY OMITTED FOR CLARITY)



## GUIDANCE NOTES

- Gas Flue Ridge Terminals are suitable for timber trussed rafter and timber sarking constructions. Where traditional timber rafter construction is used, trimmers will be required for each terminal position to allow a 400mm section of the ridge board to be removed.
- Gas Flue Ridge Terminals must have a minimum 600mm of ridge tile between units.
- The top batten should be placed so as to leave a minimum air gap of 25mm to the Extension Adaptor. The underlay and any timber sarking should be cut back to the line of the batten.
- The 'R' type adaptor and Extension Adaptor must be connected to the Terminal with the nuts and washers provided. A gasket must be placed between each component to provide an effective seal.
- When fitting Gas Flue Ridge Terminals, a non-vented ridge is required within 600mm on either side of the Gas Flue to comply with Building Regulations. Gas Flue blanking plates are required for this purpose when used with DryVent Ridge.



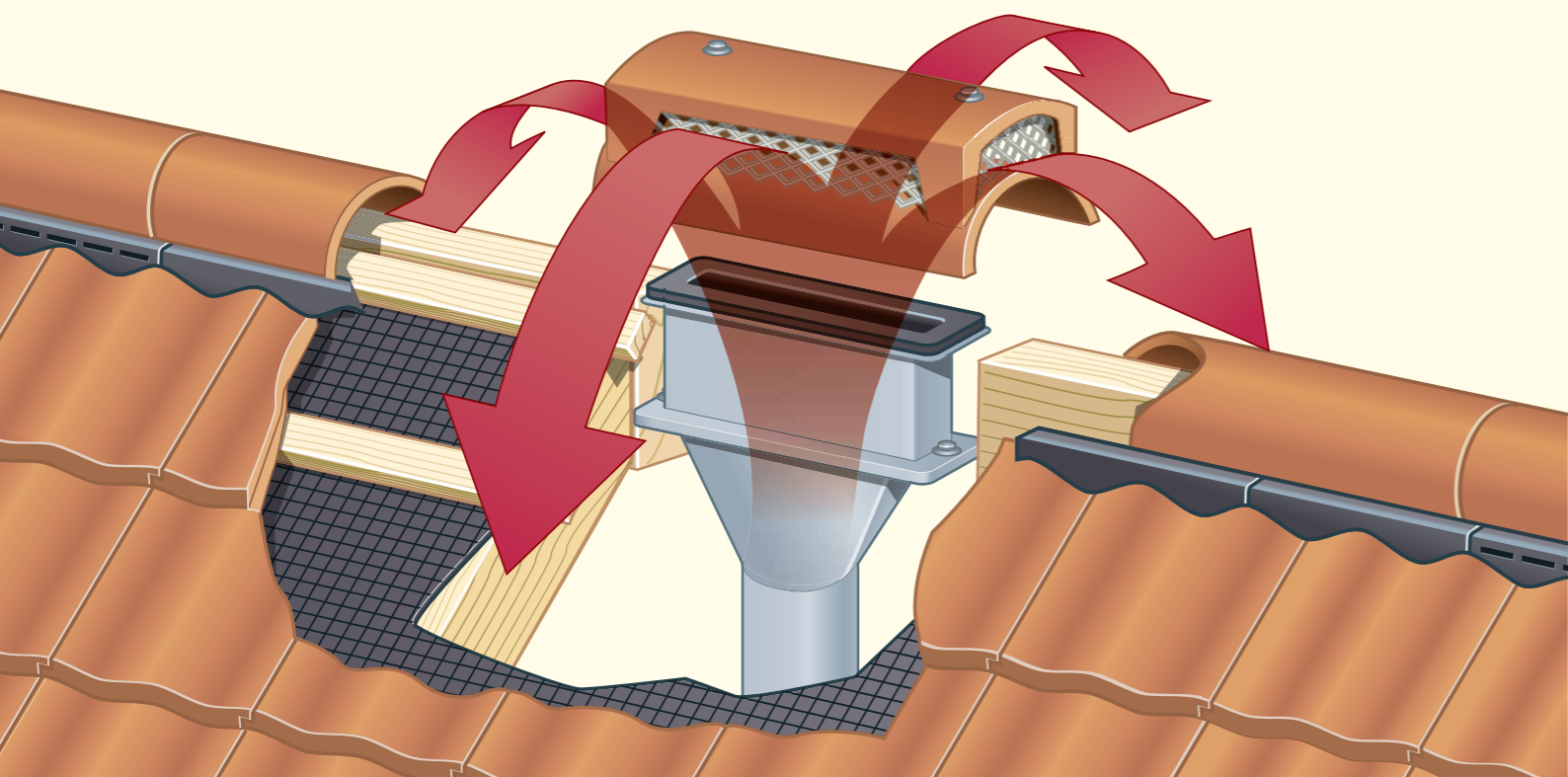
## COMPONENTS

Each Gas Flue Ridge Terminal is supplied ready assembled from the following components:

- Ridge Tile (concrete – various colours)
- Bird Screen (Stainless Steel)
- Sealing Gasket (neoprene – black)

## ACCESSORIES

- Extension Adaptor
- Sealing Gasket
- 'R' type adaptor (not supplied by Redland)
- Blanking Plate



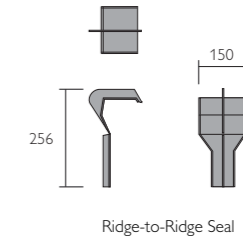
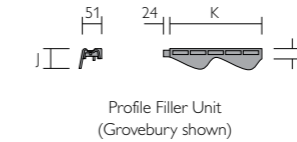
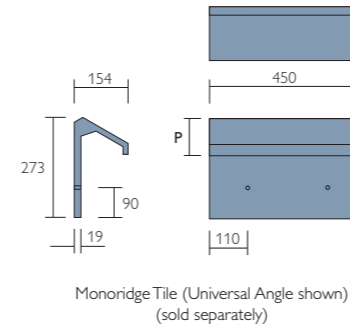


# DRYVENT MONORIDGE SYSTEM

The DryVent Monoridge System provides a continuous weathertight ventilation path from the roof void to the outside. The mechanically-fixed system complies with the requirements of the Building Regulations.

Product Measurements (mm)	
Monoridge Tile	P
Half Round	98
Universal Angle	106

Product Measurements (mm)		
Profile Filler Unit	J	K
Plain Tile appearance/Slate	21	450
Landmark Double Pantile	59	298
Landmark Double Roman	47	298
Regent	59	298
Grovebury	59	298
50 Double Roman	47	298
Renown	40	298



## FEATURES

- Provides a neat and attractive finish
- Profile filler units bespoke to each tile type
- Easy to install and can be laid even when bad weather is expected
- Ventilates to comply with BS 5250:2011, therefore reducing the risk of harmful condensation in the roof
- Tried and tested and complies with BS 5534:2014 requirements for mechanical fixing

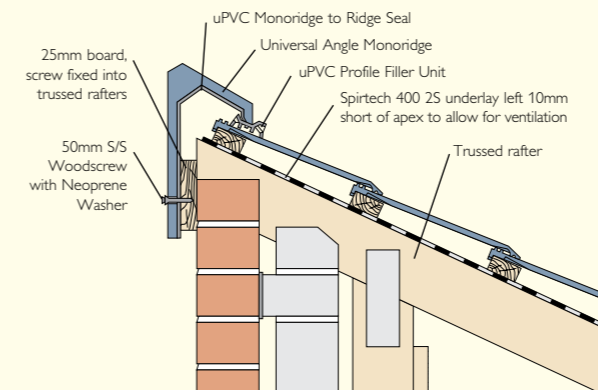
## COMPATIBILITY

- Available for all tiles and slates in the Redland range except Cathedral Clay Pantile, Fenland Pantile, Redland 49, Postel Clay Tile and Old Hollow Clay Pantile
- Suitable for use with concrete Half Round and Universal Angle Monoridge Tiles
- For Monoridge Tile colour availability, see Fittings Colour Range Tables on pages 73, 77 and 82

## PERFORMANCE

- Minimum pitch will depend upon the minimum pitch of the roof tiles but must not be less than 15°
- Maximum pitch for DuoPlain, Landmark Double Pantile, Landmark Double Roman, Grovebury, Renown and 50 Double Roman is 47.5°; maximum pitch for Slate 10 range and Mini Stonewold is 52.5° (Stonewold II 44°). For all other interlocking tiles, maximum pitch is 45°
- Maximum pitch for Plain Tiles is 55°
- The effective ventilation area per metre run of ridge is 5,000mm<sup>2</sup>

## DRYVENT MONORIDGE SYSTEM (CAMBRIAN)



## GUIDANCE NOTES

- The DryVent Monoridge System is suitable for traditional timber rafter, timber trussed rafter and rigid sarking constructions.
- The system is designed to fit a straight and level ridge line.
- When used in association with vertical Plain Tiles, a lead flashing or Wakaflex Rapid Flashing should be dressed over the top of the vertical tiling by a minimum of 150mm.
- Care must be taken to ensure that the air passage from the roof void is not obstructed. Allow 10mm air gap between top tile batten and monoridge fixing batten.
- Underlay is left 10mm short of apex.
- Where the system forms the junction with a flat roof, the flat roof covering should lap behind the downstand leg of the monoridge. Ensure there is sufficient clearance between the downstand leg and the flat roof tiling fillet.
- The system may be used with both Half Round and Universal Angle Monoridge Tiles.
- When using the system with Rosemary clay plain tiles, use Landmark Monoridge Tiles.
- Mechanically fix all slates or tiles on the top course.
- Rosemary Eave/Top Tile does not hang on the final plain tile course. Instead the Eave/Top tile must be twice nailed to an additional batten that is turned on its side. Top and second top batten positions from apex are 10mm and 50mm respectively.
- At gable ends, a Block-End Monoridge Tile or Monoridge End Cap should be used.

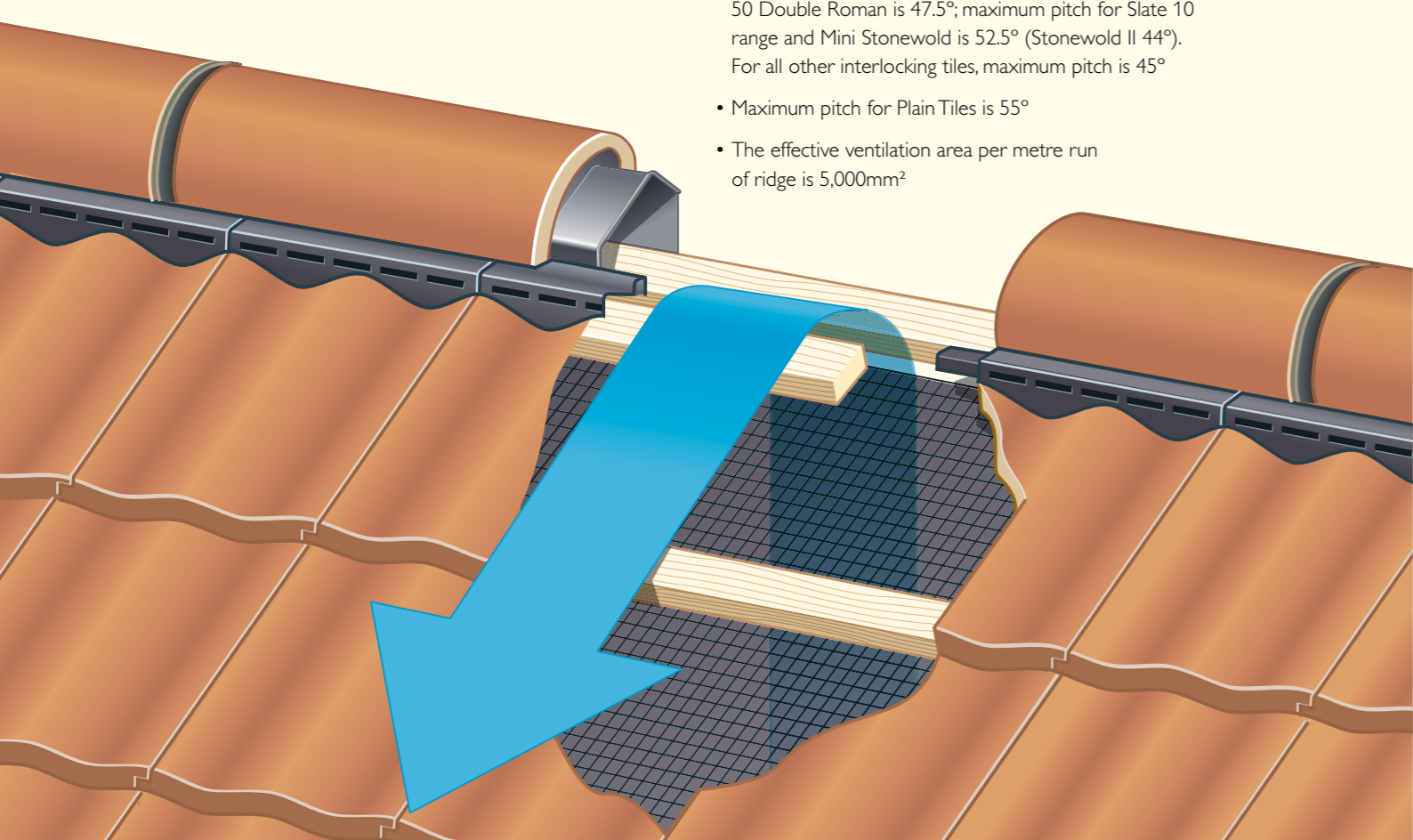
## COMPONENTS

Each pack contains sufficient components to secure 6 concrete Monoridge Tiles. Each pack contains:

- Profile Filler Units (uPVC – grey) (tile specific)
- Monoridge, Ridge-to-Ridge Seal (polypropylene – black)
- Fixing Screws (Stainless Steel) and Washers (neoprene)

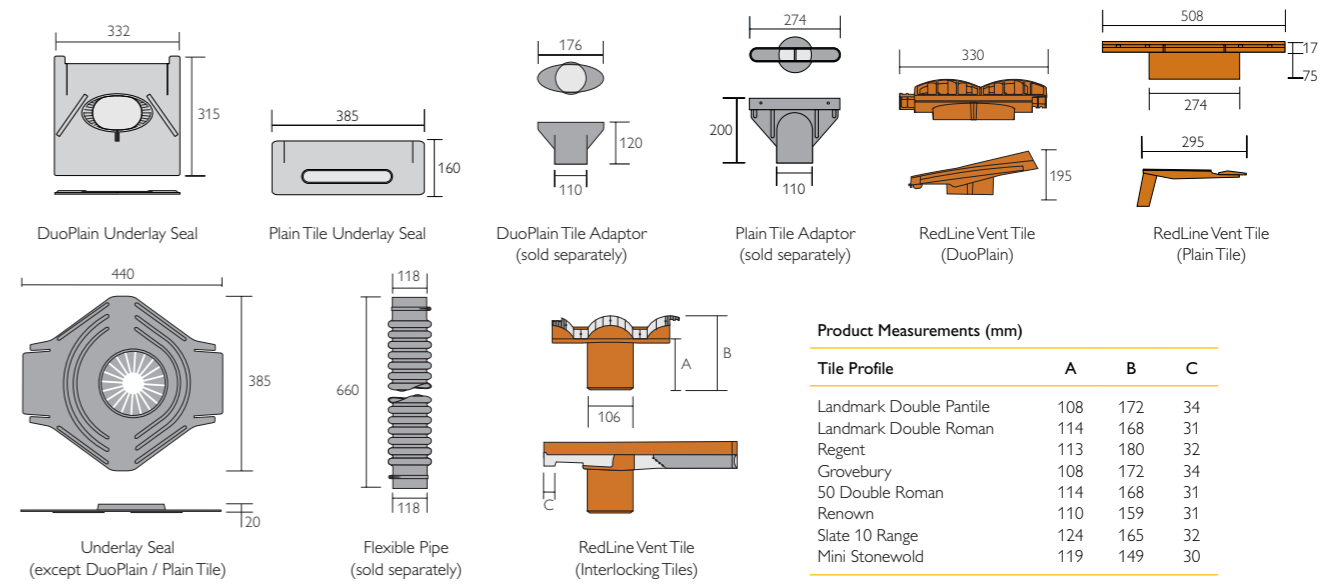
## ACCESSORIES

- In addition, concrete Monoridge Tiles will be required in a colour to suit, with matching Mono Block-End Ridge Tiles, left or right-hand, at all gable ends or End Caps.
- A timber batten, 25mm thick, must be fixed vertically to allow monoridge tile fixing.



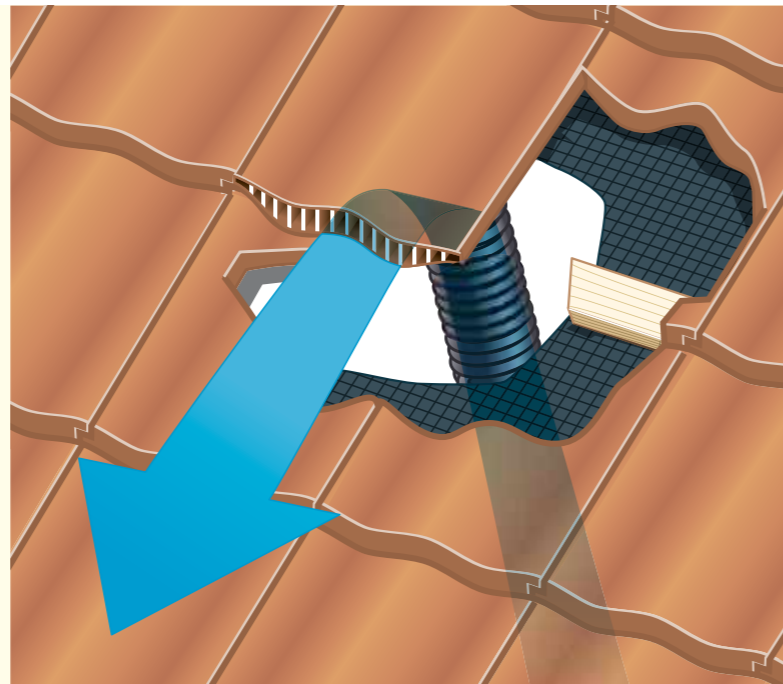
# REDLINE VENT TILE

The RedLine Vent Tile provides roof space ventilation through the leading edge of the tile ensuring that the clean lines of the roof are maintained. It is ideal for use where alternative eaves and ridge ventilation systems are not appropriate and can also be used for mechanical extraction and soil pipe ventilation.



## FEATURES

- Three variants available: Interlocking, Plain Tile and DuoPlain
- Minimal visual impact
- Identical interlocks to the tiles ensure a simple and weathertight installation
- Ventilates to comply with BS 5250:2011, therefore reducing the risk of harmful condensation in the roof
- Tried and tested and complies with BS 5534:2014 requirements for mechanical fixing
- Complies with BS EN 12056-2:2000, Gravity Drainage Systems Inside Buildings
- To achieve roof space ventilation of 5,000mm<sup>2</sup> per metre of run, install at 1.2m centres (except DuoPlain 1.57m)
- To achieve roof space ventilation of 10,000mm<sup>2</sup> per metre of run, install at 0.6m centres (except DuoPlain 0.78m)



## PERFORMANCE

- The pitch range of each RedLine Vent Tile will depend upon the minimum and maximum pitch of the relevant tile profile
- Maximum headlap is the same as that for the relevant tile profile
- The effective ventilation area is 6,000mm<sup>2</sup> (except DuoPlain which is 7,850mm<sup>2</sup>)

### PRESSURE/AIR-FLOW RESISTANCE (Pa)

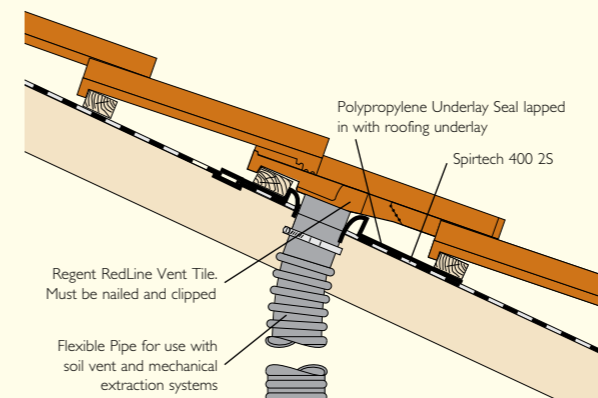
Tile Profile	Air-Flow Rate		
	15 L/sec	30 L/sec	60 L/sec
Landmark Double Pantile / Landmark Double Roman / Regent / Grovebury / 50 Double Roman / Renown	29	116	464
Slate 10 Range	32	128	512
Mini Stonewold	22	88	352
DuoPlain	35	140	560
Plain Tile	34	136	544

## COMPATABILITY

### REDLINEVENT COLOURS (INTERLOCKING TILES)

Tile Colour	Vent Colour
11 Tuscan Red	38 Red
30 Slate Grey	30 Slate Grey
34 Terracotta	34 Terracotta
36 Tudor Brown	36 Tudor Brown
38 Flame Red	38 Red
39 Farmhouse Red	34 Terracotta
40 Rustic Brown	40 Rustic Brown
43 Terracotta Brindle	43 Terracotta Brindle
44 Brown Brindle	44 Brown Brindle
45 Rustic Black	45 Rustic Black
47 Brecon Grey	63 Black
52 Breckland Brown	36 Tudor Brown
53 Breckland Black	30 Slate Grey
63 Black	63 Black
64 Blue	63 Black
77 Charcoal Grey	77 Charcoal Grey
78 Rustic Red	78 Rustic Red

### REDLINEVENT TILE CONNECTED TO FLEXIBLE PIPE (REGENT)



### REDLINEVENT COLOURS (PLAIN TILES)

Tile Colour	Vent Colour
02 Brown	02 Brown
03 Antique Red	03 Antique Red
12 Cotswold	12 Cotswold
18 Hedgerow Brown	18 Hedgerow Brown
27 Natural Red	27 Natural Red
30 Slate Grey	30 Slate Grey
34 Terracotta	34 Terracotta
36 Tudor Brown	36 Tudor Brown
39 Farmhouse Red	34 Terracotta
52 Breckland Brown	36 Tudor Brown
53 Breckland Black	30 Slate Grey
78 Rustic Red	78 Rustic Red
20 Manor House Mix	20 Manor House Mix
22 Wealden Red	03 Antique Red
23 Autumn	23 Autumn
25 Ember	23 Autumn
26 Elizabethan	26 Elizabethan
80 Red	80 Red
81 Light Mixed Brindle	82 Medium Mixed Brindle
82 Medium Mixed Brindle	82 Medium Mixed Brindle
87 Blue Brindle	87 Blue Brindle
91 Burnt Blend	23 Autumn
94 Russet Mix	18 Hedgerow Brown
95 Dark Antique	95 Dark Antique
83 Heather Brindle	26 Elizabethan
84 Hawkhurst	23 Autumn
85 Albury	23 Autumn
98 Victorian	95 Dark Antique
72 Foxwood	34 Terracotta

## GUIDANCE NOTES

- Suitable for roof space ventilation and mechanical extraction.
- Suitable for soil vent pipe termination for single and two storey housing.
- Each RedLine Vent Tile should be nailed and clipped except Plain Tile Unit which is secured with 4 nails.
- The Underlay Seal must always be installed to maintain the integrity of the roofing underlay.
- When using the RedLine Vent Tile for roof space ventilation where insulation is between the rafters, ensure the spigot pipe is clear of the insulation and cut if necessary.
- RedLine Vent Tiles are not suitable for hot flue gases, please use the Gas Flue Ridge Terminal.
- RedLine Vent Tiles must not be laid adjacent to one another.
- For soil pipe termination do not install within 3 metres horizontally and 900mm vertically of an opening e.g. roof windows and roof space ventilation.
- When connected to pipework or ducting, it is recommended that where water is likely to accumulate joints are sealed and a condensation trap is fitted.

## COMPONENTS

### Each pack contains:

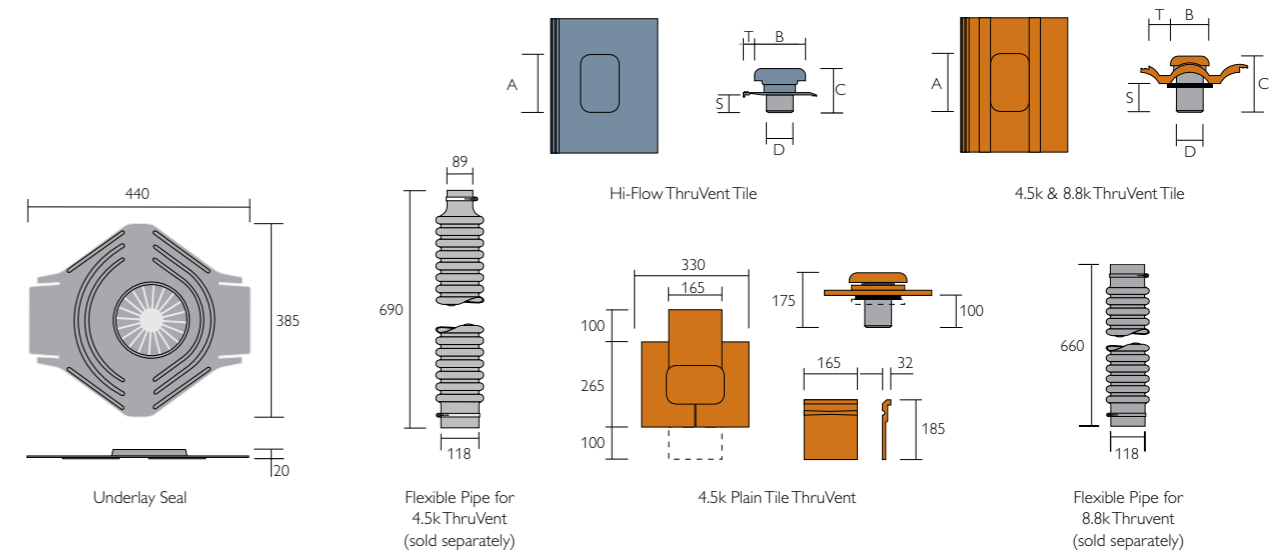
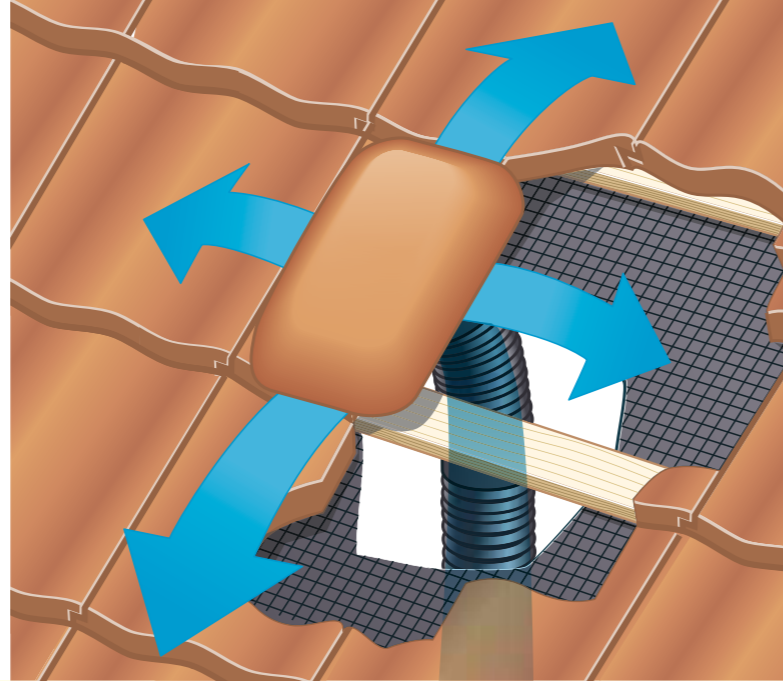
- 1 x Vent (UV protected Medium Density Polyethylene (MDPE) – PVC for Redland DuoPlain)
- 1 x Underlay Seal
- Complete fixing instructions

## ACCESSORIES

- Flexible Pipe to connect to a 110mm soil vent or mechanical extract pipe
- Tile adaptor

# THRUVENT TILE

The ThruVent Tile is a means of incorporating ventilation within the roof slope where alternative eaves and ridge ventilation systems are not appropriate. It can also be used for mechanical extraction and soil pipe ventilation.



## FEATURES

- Ventilates to comply with BS 5250:2011, therefore reducing the risk of harmful condensation in the roof
- Tried and tested and complies with BS 5534:2014 requirements for mechanical fixing
- Complies with BS EN 12056-2:2000, Gravity Drainage Systems Inside Buildings

## COMPATIBILITY

- Available for all tiles and slates in the Redland range in all colours (except DuoPlain, Rosemary, and Heathland)
- Vent Tiles are also available for natural slate

## PERFORMANCE

- Minimum and maximum pitch will depend on the profile and surface finish
- Minimum and maximum headlap will depend on the tile profile
- To achieve the specified roof space ventilation the ThruVent Tiles should be spaced according to the table below

### THRUVENT PERFORMANCE / SPACING

ThruVent	Roof space ventilation (mm <sup>2</sup> /m)	ThruVent spacing (m)
4.5k	5,000	0.9
4.5k	10,000	0.45
8.8k	5,000	1.76
8.8k	10,000	0.88
8.8k	25,000	0.35
Hi-Flow	25,000	0.6

### Can also be used for:

- Mechanical extraction ventilation
- Soil ventilation: Use 4.5k for low rise building (up to 2 storey). No building height restriction applies to the 8.8k ThruVent Tile or the Hi-Flow ThruVent Tile

## THRUVENT'S AIRFLOW RESISTANCE

		Pressure/Air Flow Resistance (Pa)			
Range	Tile Profile	15L/sec	30L/sec	60L/sec	
4.5k ThruVent*	Slate	Cambrian Slate / Fontenelle	22	88	352
	Plain Tile	Plain Tile	25	100	464
	Profile	Cathedral Clay Pantile / Fenland Pantile / Old Hollow Clay Pantile	23	92	368
		Redland 49 / Postel Clay Tile	29	116	464
8.8k ThruVent†	Slate	Slate 10 Range	2	8	31
		Stonewold II	3	12	49
		Mini Stonewold	4	15	62
	Profile	Landmark Double Pantile / Grovebury	2	8	32
Landmark Double Roman / 50 Double Roman		2	10	38	
Regent		2	8	34	
Renown		3	12	47	
Hi-Flow‡	Slate	Cambrian Slate	3.5	14	56

\* Equivalent ventilation area 4,500mm<sup>2</sup>, downpipe diameter 75mm

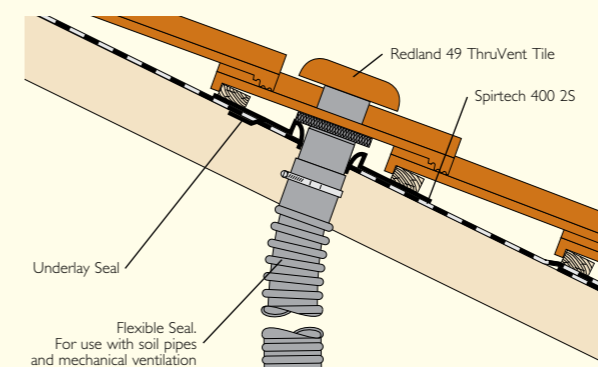
† Equivalent ventilation area 8,800mm<sup>2</sup>, downpipe diameter 100mm

‡ Equivalent ventilation area 15,000mm<sup>2</sup>, no downpipe

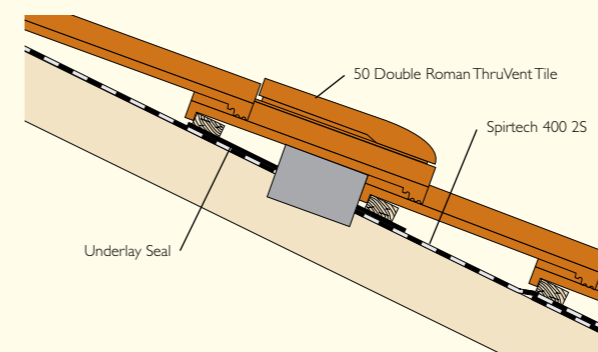
## PRODUCT MEASUREMENTS (MM)

Tile Profile	S	T
<b>4.5k ThruVent Tile (A=180, B=120, C=175, D=83)</b>		
Cambrian Slate	124	60
Cathedral Clay Pantile / Old Hollow Clay Pantile	105	9
Fenland Pantile	122	33
Redland 49	107	40
<b>8.8k ThruVent Tile (A=303, B=202, C=200, D=109)</b>		
Slate 10 Range	88	24
Stonewold II	177	45
Mini Stonewold	114	22
Landmark Double Pantile	85	31
Landmark Double Roman	98	23
Grovebury	85	31
50 Double Roman	98	23
Regent	86	21
Renown	103	26
<b>Hi-Flow ThruVent Tile</b>	119	1

## 4.5K THRUVENT TILE CONNECTED TO FLEXIBLE PIPE (REDLAND 49)



## 8.8K THRUVENT TILE (50 DOUBLE ROMAN)



## GUIDANCE NOTES

- The Underlay Seal provided should always be installed to maintain the integrity of the roofing underlay.
- Where Plain Tile ThruVents are positioned between each rafter spacing, they should be staggered on alternate courses.
- Where ThruVent Tiles are used in combination with insulation between the rafters, ensure that the spigot pipe on the underside is clear of the insulation, by cutting the pipe where necessary.
- ThruVent Tiles are not suitable for hot flue gases, please use the Gas Flue Ridge Terminal (see page 44).
- Plain Tile ThruVents are installed to 100mm gauge only.
- For soil pipe termination do not install within 3 metres horizontally and 900mm vertically of an opening e.g. roof windows and roof space ventilation.
- When connected to pipework or ducting, it is recommended that where water is likely to accumulate joints are sealed and a condensation trap is fitted.
- A Hi-Flow ThruVent Tile with an effective ventilation area of 15,000mm<sup>2</sup> is also available for Cambrian Slate. Suitable for low level ventilation at valleys where insulation is positioned between the rafters (partial-fill). Install one Hi-Flow ThruVent tile per rafter space either side of the valley to provide effective ventilation equivalent to 25,000mm<sup>2</sup>/m.

## COMPONENTS

- The ThruVent Tile is manufactured in concrete with a PVC ventilation unit and cap. The caps are colour coordinated to the colour of the tile base.
- The Plain Tile ThruVent consists of a three tile moulded unit, batten support brackets and clips.
- Each ThruVent Tile is supplied with a Underlay Seal.

### Each pack contains:

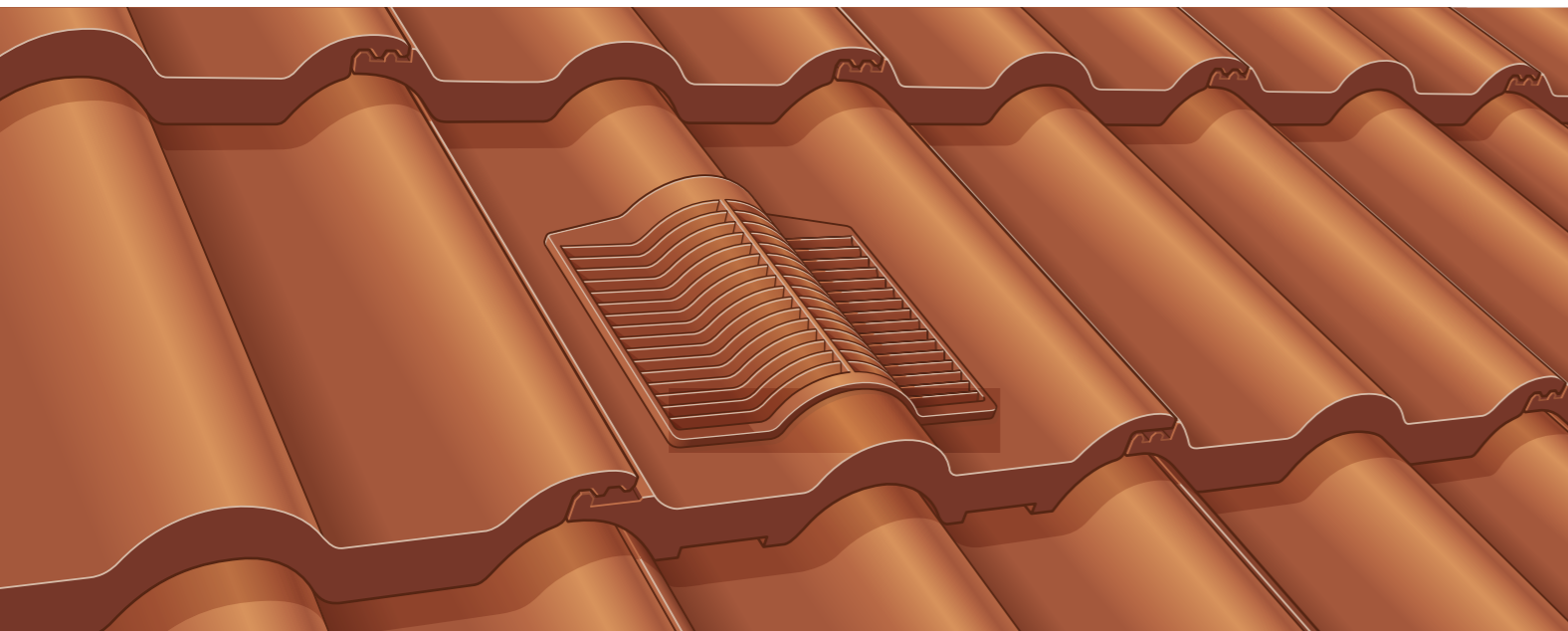
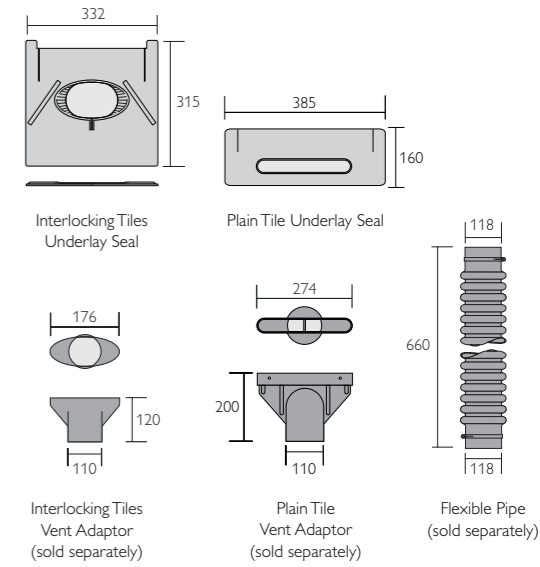
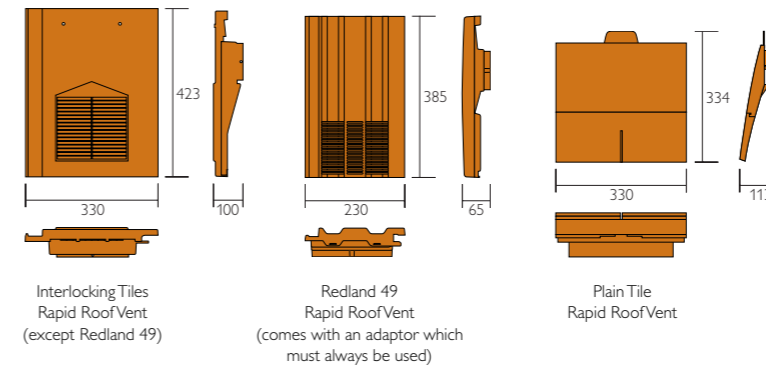
- 1 x ThruVent Tile (concrete and PVC)
- 1 x Underlay Seal

## ACCESSORIES

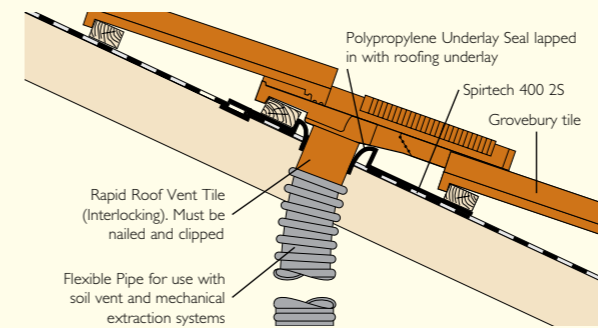
- A Flexible Pipe is available for connecting to a 110mm soil vent pipe or mechanical ventilation duct.

# RAPID ROOF VENT TILE

A range of discreet ventilating tiles suitable for both low and high-level roof space ventilation, to combat condensation, as well as mechanical and soil pipe ventilation. Suitable for use with most popular interlocking concrete tiles and plain tiles.



## RAPID ROOF VENT TILE CONNECTED TO FLEXIBLE PIPE (REGENT / GROVEBURY)



## RAPID ROOF VENT TILE COLOURS

Tile Type	Tile Colour	Vent Colour
Mini Stonewold / Grovebury / Renown / 50 Double Roman	30 Slate Grey	30 Grey
	34 Terracotta	34 Terracotta
	36 Tudor Brown	36 Brown
	39 Farmhouse Red	34 Terracotta
	52 Breckland Brown	36 Brown
Redland 49	53 Breckland Black	30 Grey
	03 Antique Red	03 Red
	34 Terracotta	34 Terracotta
	36 Tudor Brown	36 Brown
Plain Tile	39 Farmhouse Red	34 Terracotta
	52 Breckland Brown	36 Brown
	78 Rustic Red	03 Red
	02 Brown	02 Dark Brown
	03 Antique Red	03 Red
	34 Terracotta	34 Terracotta
	36 Tudor Brown	36 Brown
	39 Farmhouse Red	34 Terracotta
Slate 10 Range	52 Breckland Brown	36 Brown
	78 Rustic Red	03 Red
	30 Slate Grey	30 Grey
	77 Charcoal Grey	30 Grey
	30 Slate Grey	30 Grey
Slate 10 Range	38 Flame Red	34 Terracotta
	63 Black	63 Black
	40 Rustic Brown	36 Brown

## GUIDANCE NOTES

- Place the vent tile in position so that the moulded underside clip is located below the interlock of the adjacent tile to prevent the vent tile from lifting.
- Ensure the Underlay Seal fits around the spigot and returns to a flat position against the underlay after fitting.
- When using the adaptor, ensure the adaptor lugs are located in the appropriate channels in the vent spigot.
- Rapid RoofVent for Redland 49 tiles must be installed with the Pipe Adaptor supplied.

## COMPONENTS

### Each pack contains:

- 1 x Rapid Roof Vent
- 1 x Underlay Seal
- 1 x Pipe Adaptor (Redland 49 Vent only)

### Also available:

- Interlocking Tiles Pipe Adaptor or Plain Tiles Pipe Adaptor
- Flexible Pipe

## FEATURES

- Discreet design matches the aesthetics of the roof
- Excellent weather performance
- Rigid construction, high quality
- Ventilates to comply with BS 5250:2011, therefore reducing the risk of harmful condensation in the roof
- Tried and tested and complies with BS 5534:2014 requirements for mechanical fixing
- Complies with BS EN 12056-2:2000, Gravity Drainage Systems Inside Buildings

## COMPATIBILITY

- Complies with NHBC guidelines for high-level ventilation in new build housing
- Suitable for Renown, 50 Double Roman, Grovebury, Mini Stonewold, Redland 49 and concrete Plain Tiles in a range of colours

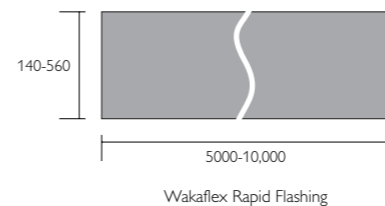
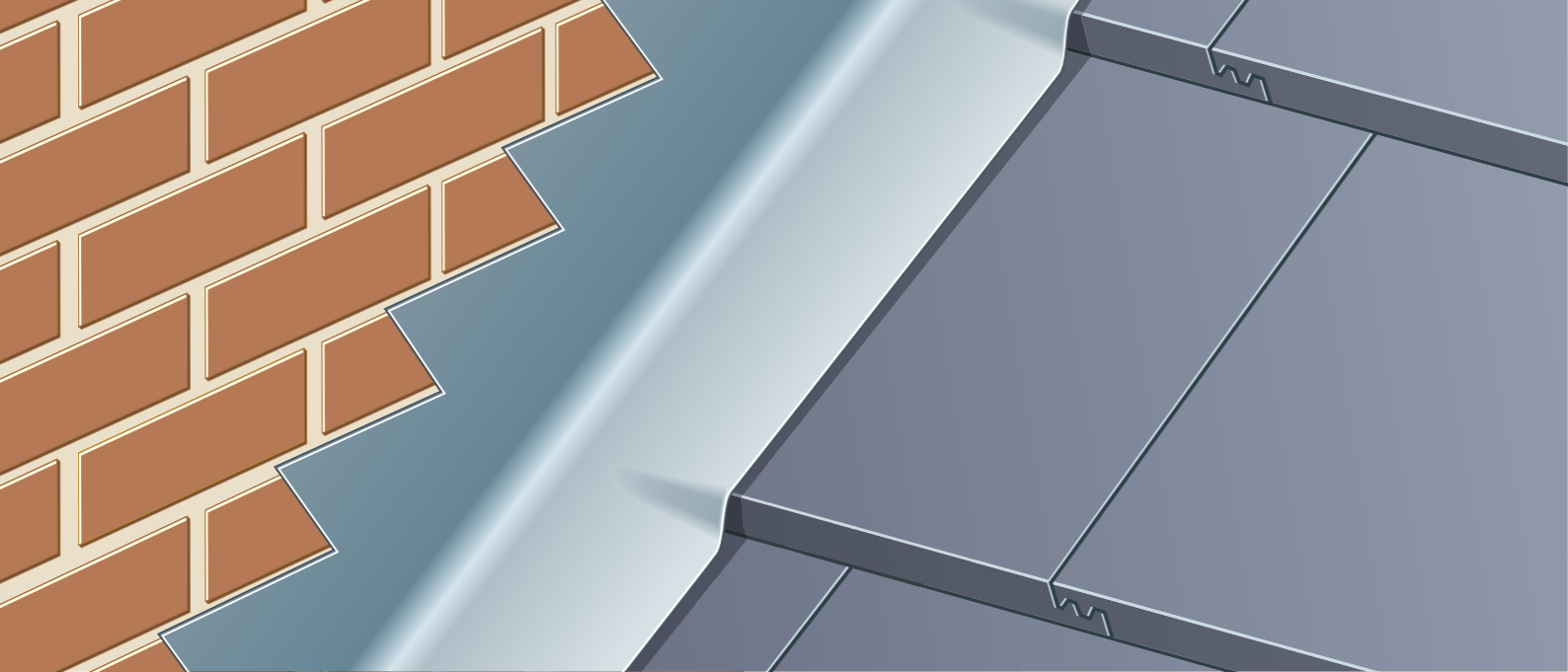
## PERFORMANCE

- The effective ventilation area is 10,000mm<sup>2</sup> (except Redland 49 which is 8,600mm<sup>2</sup> and Plain Tile which is 6,500mm<sup>2</sup>)

To achieve the specified roof space ventilation, Rapid RoofVents should be spaced according to the table below

### RAPID ROOF VENT PERFORMANCE / SPACING

Rapid Roof Vent	Roof Space Ventilation (mm <sup>2</sup> /m)	Vent Spacing (m)
Interlocking (except Redland 49)	5,000	2
	10,000	1
	25,000	0.4
Redland 49 (inc Adaptor)	5,000	1.72
	10,000	0.86
	25,000	0.34
Plain Tile	5,000	1.3
	10,000	0.65
	25,000	0.26



## WAKAFLEX RAPID FLASHING

Wakaflex Rapid Flashing can be used instead of lead for the majority of pitched roof applications. The unrivalled speed and ease of installation enables standard flashing details to be completed twice as quickly as with lead, offering a viable and safer alternative to traditional methods.

### FEATURES

- Appearance of lead, grey colour
- Lighter weight than lead and easy to use
- Can be moulded quickly and easily, without the need for special tools
- Manufactured from environmentally-friendly materials
- No welding required, thanks to the self-fusing properties of the material
- Insensitive to extremes of cold and heat (-40° to +100°C)
- No scrap value means Wakaflex Rapid Flashing is not at risk of theft
- 20-year product guarantee
- Low site wastage due to ease of cutting and simple fixing
- Non-toxic

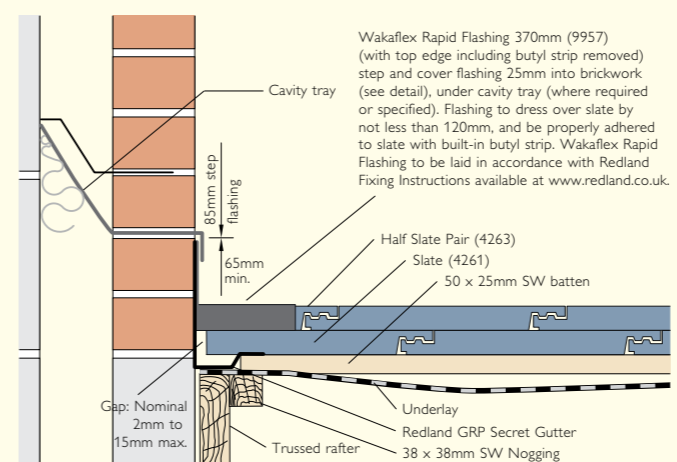
### COMPATIBILITY

- Compatible with all Redland tiles and slates
- Suitable for use with most pitched roofing materials

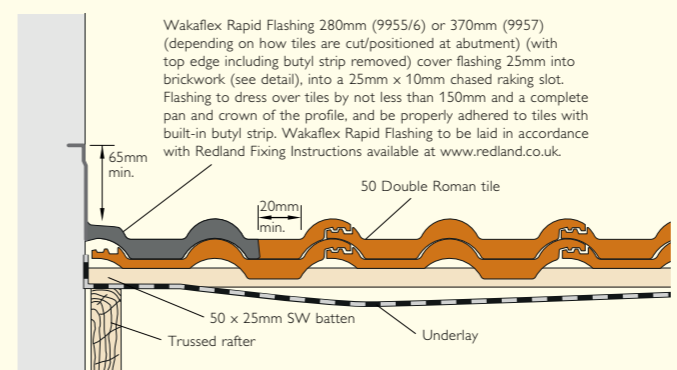
### PERFORMANCE

- Awarded British Board of Agrément Certification, certificate number 09/4622

### TRADITIONAL STEP AND COVER FLASHING – FLAT INTERLOCKING TILES



### CONTINUOUS FLASHING, CHASED – PROFILE TILES



### GUIDANCE NOTES

- Must be installed on dry and clean tiles. If laid on damp surfaces ensure Wakaflex Rapid Flashing is first fixed to surface using Wakaflex Rapid Flashing M-Glue.
- Only a pair of scissors or a Stanley knife is required for cutting.
- A roller is recommended for joining pieces. Do not use a hammer to form, the force of your fingers is sufficient coupled with a roller.
- Overlap pieces by 30mm.
- Where Wakaflex Rapid Flashing is chased into walls or when Wakaflex Rapid Flashing strip is used, seal with Wakaflex Rapid Flashing Sealant.

### COMPONENTS

Colourfast plastic with Aluminium rib mesh insert and butyl sealing edge.

Size	Weight	Rolls/Box
140mm x 5m	2.4kg	2
180mm x 5m	3.1kg	4
280mm x 5m	4.8kg	4
280mm x 10m	9.6kg	2
370mm x 5m	6.3kg	3
560mm x 5m	9.6kg	2

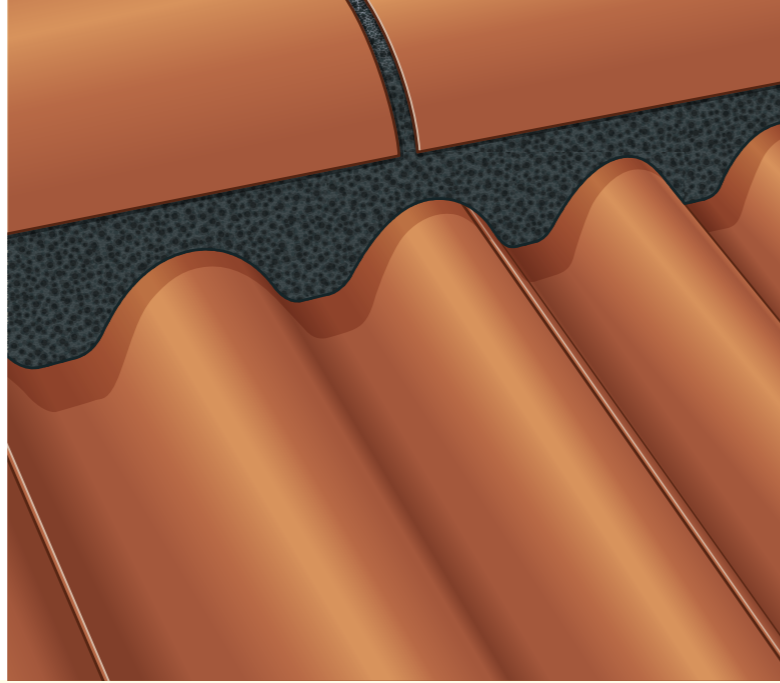
### ACCESSORIES

- Additional Butyl Strip (20mm x 2m)
- Wakaflex Rapid Flashing Roller
- Wakaflex Rapid Flashing Strip (2m)
- Wakaflex Rapid Flashing Sealant (310ml)
- Wakaflex Rapid Flashing M-Glue (290ml)



## RAPID ROOF PUTTY

Rapid Roof Putty is a flexible, fibre-reinforced synthetic mortar. It can be used with all types of concrete tiles and slates as an alternative to traditional concrete mortars, and provides weathertightness against driving rain and drifting snow.



### FEATURES

- Available in Black, Brown and Terracotta
- Ready to use straight out of the box
- Lightweight
- Easy to transport onto the roof
- Elastic product flexes naturally with the roof
- Doesn't crack over time
- Minimal mess and waste
- Can be installed even when bad weather is expected

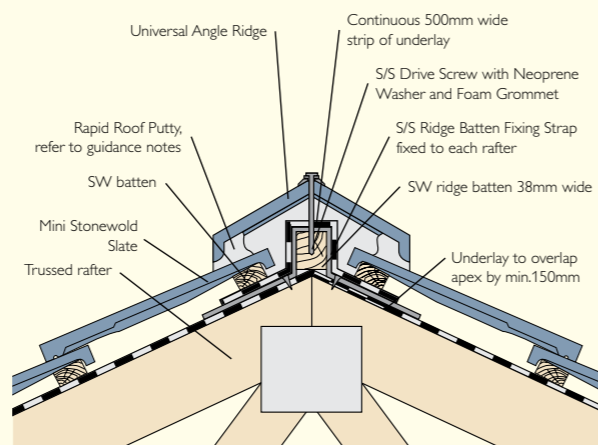
### COMPATIBILITY

- Compatible with Redland's complete concrete tile range
- Not suitable for use with clay tiles and Cambrian Slate

### PERFORMANCE

- Weight is approximately 500g/m<sup>3</sup>
- Made from linseed and mineral oils combined with micro polystyrene balls
- Drying takes place naturally when exposed to air
- Can be formed with a trowel to give a smooth finish with any excess putty used for the next ridge tile
- Dries to a slightly darker tone than when first taken out of the bag
- All ridge and hip tiles should be mechanically fixed through to the ridge/hip batten to comply with BS 5534:2014. Verge tiles should be fixed with verge clips

RAPID ROOF PUTTY (MINI STONEWOLD)



## RAPID ROOF PAINT

Rapid Roof Paint is an ideal solution for roofers wishing to paint over those tiles which have become scratched or scuffed during distribution or laying, ensuring the whole roof looks its best.



### FEATURES

- Conceals scuffs and scratches
- Quick and easy to apply
- Lasts up to eight years
- Can be applied with a standard paint brush
- The same paint used in the tile manufacturing process to give the repainted tiles an exact match to their original colour

### COMPATIBILITY

- Available in 3 colours – Black (63), Blue (64) and Charcoal Grey (77)
- Can be used on all Redland colour-coated tiles and fittings
- Not suitable for use on whole roofs or any uncoated tiles and fittings

### PERFORMANCE

- Designed for colour touching-up only

### GUIDANCE NOTES

- All tiles must be dry and thoroughly cleaned of loose particles before installation begins.
- Should be used immediately after opening airtight bags.
- Disposable plastic gloves should be worn when handling.
- Withstands temperatures from -40°C to +80°C. Works best at 20°C. Store out of direct sunlight and excessive heat.
- Use within one year of production.

### COMPONENTS

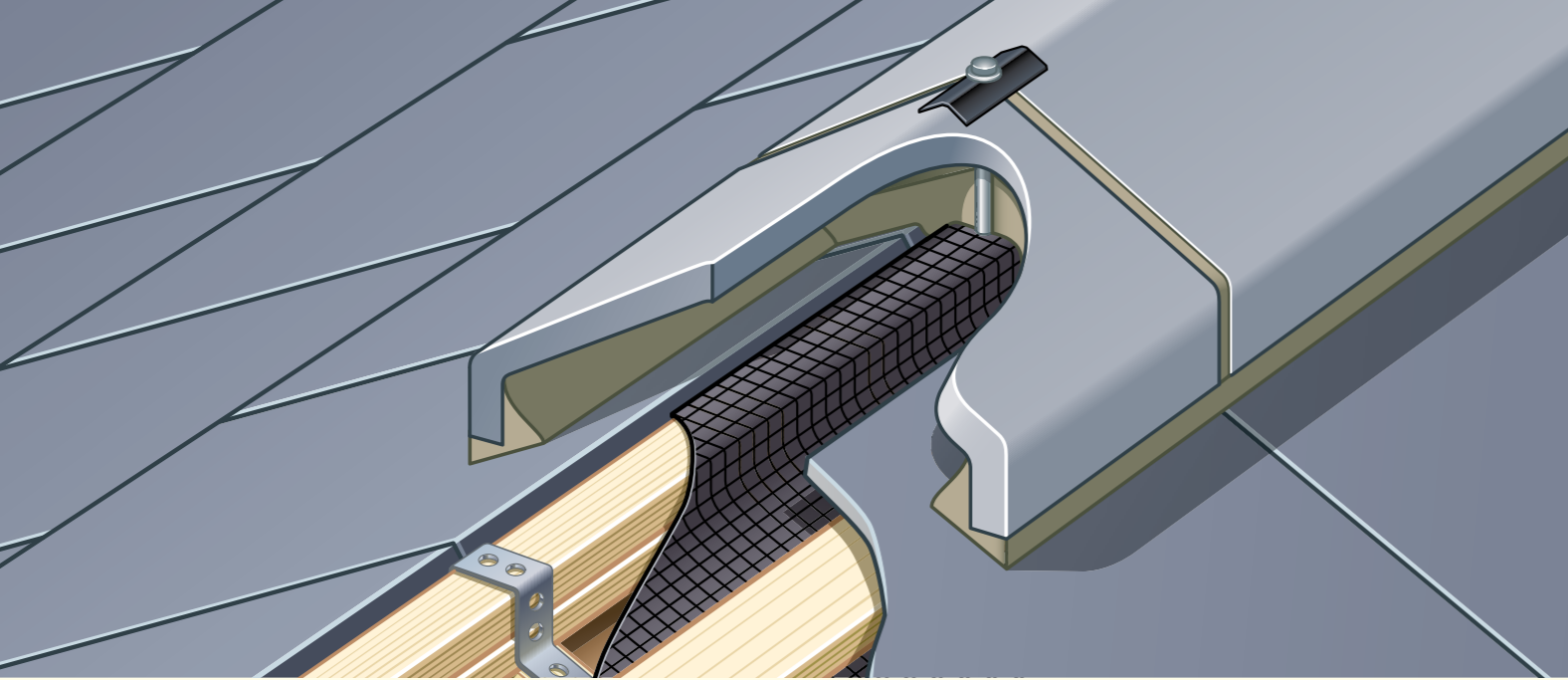
Box Coverage	Approx 2m ridge or hip (both sides)
Material	Linseed and mineral oils with micro polystyrene balls
Pack Quantity	9 individually wrapped strips per box

### GUIDANCE NOTES

- Before use, ensure that the tile is dry and clean.
- Stir well before use and apply with a brush.
- Ensure rain is not imminent.
- The temperature should be at least 20°C during application.
- Brushes can be washed with tap water.

### COMPONENTS

Contents (one pot)	2.5 litres
Coverage	Approximately 5m <sup>2</sup>



## MORTAR BEDDED FIXING KIT

The Redland Mortar Bedded Fixing Kit is the new way to mechanically fix mortar bedded ridges and hips. It maintains a traditional aesthetic, whilst complying with BS 5534:2014 and NHBC Technical Standards.

### FEATURES

- Maintains a traditional look
- Simple to use. Very similar to standard mortar bedding installation
- One system to be used for both ridges and hips
- Complies with BS 5534:2014 requirements for mechanical fixing
- Complies with NHBC Guidelines for mechanical fixing

### COMPATIBILITY

- Fully compatible with all Redland tiles
- Compatible with most other tiles and slates
- Suitable for traditional timber rafter, timber trussed rafter and rigid sarking constructions
- Designed to fit a straight and level ridge line with equal pitches on either side of the ridge

### GUIDANCE NOTES

- When used with traditional timber rafters, the height of ridge board above the apex of the rafters will alter the number of 38mm x 25mm tile battens required to construct the ridge tree. This ensures that the ridge tile securing screw achieves a minimum 15mm penetration.
- Counterbattens/rafters on adjacent roof slopes must be aligned and extended to form an apex.
- End ridges can be finished with a mortar bedded end, Block End Ridge Tile or plastic end cap.

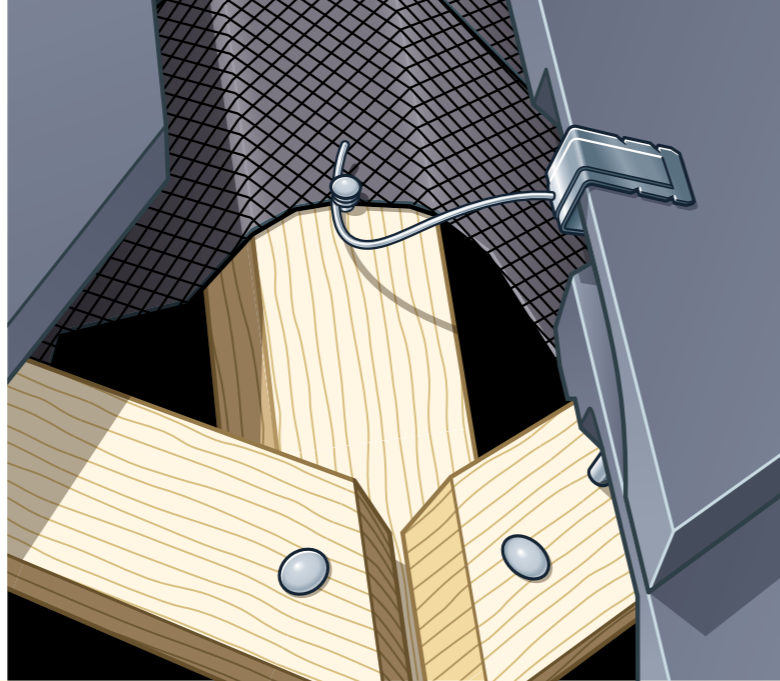
### COMPONENTS

Each Mortar Bedded Fixing Kit contains sufficient components to secure 5m of concrete ridge or hip tiles or 3.3m of clay ridge or hip tiles. Each pack contains:

- 8 x Batten Straps (Stainless Steel)
- 11 x Universal Angle Clamping Plates (Stainless Steel)
- 16 x Batten Strap Nails (Stainless Steel)
- 11 x 100mm Woodscrews (Stainless Steel)

## KRO-CLIP

Kro-Clip is a versatile clip that allows small roof tile cuts to be mechanically fixed in accordance with BS 5534:2014, particularly at hips and valleys.



### FEATURES

- Robust solution to the long-standing problem of fixing small cut tiles
- Quick and easy to fit
- Firmly grips the side of the tile
- Suitable for numerous roofing details such as at hips and valleys and around roof windows, dormers and solar PV panels
- Mechanical fixing for consistent results, removing the need for glue which requires optimum conditions for use
- Supplied in convenient boxes of 50 clips
- Universal fit covering a large range of tile types

### COMPATIBILITY

- Works with any tile from 8-16mm thickness, including Plain Tiles and DuoPlain, or where the cut section of the tile is 8-16mm thick
- Not suitable for Cambrian Slate

### PERFORMANCE

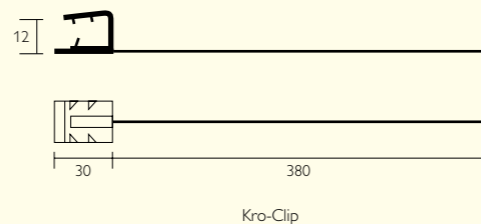
- The rigid clip is secured to the roof tile using a hammer. The attached wire is then wound around a nail which itself is secured to a convenient structural timber fixing point, e.g. a tiling batten, ridge or hip rafter
- The Kro-Clip can be used either on its own or in combination with other clips such as the Redland C-Clip to provide secure head and/or tail fixings for small roof tile cuts and other difficult to fix roof tiles

### GUIDANCE NOTES

- Insert the clip onto the cut edge of the tile by pushing the jaws of the clip onto the tile and then using a hammer to gently fully engage the clip.
- Wrap the attached wire around a clout nail fixed into either a rafter or batten.
- The nail position must be above the clip position with the distance between kept as short as possible with the wire pulled tight.

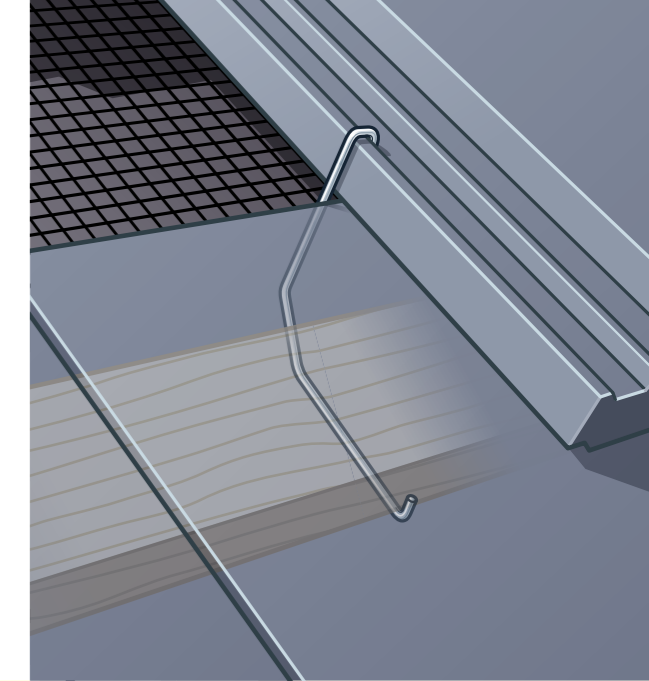
### COMPONENTS

Material	Stainless Steel
Size	30mm long clip with 380mm attached wire
Box Quantity	50



## INNOFIX CLIP

Innofix is the multi award-winning revolutionary new tool-free tile clip. Simple to fix, with less tile breakage and quicker than ever to install. It's our strongest clip yet, and suitable for all UK exposures under the new BS 5534:2014.



### FEATURES

- Five sizes available to suit all Redland concrete interlocking tiles
- Tool-free – quick and simple to fix
- Unique clip magazine allowing tangle-free usage
- Colour-coded for error-free identification
- Award-winning design

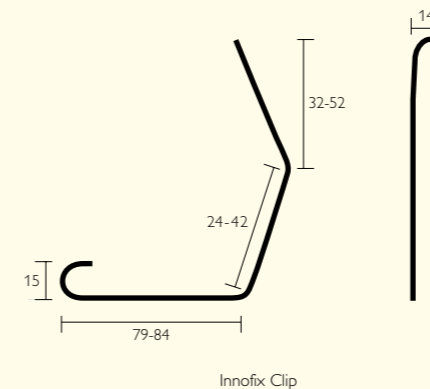
### COMPATIBILITY

- Innofix Clips are compatible with the following tiles:
  - Red: Grovebury, Regent, Landmark Double Pantile and Fenland Pantile
  - Light Blue: 50 Double Roman and Landmark Double Roman
  - Light Orange: Redland 49 and Renown
  - Gold: Mini Stonewold and MockBond Mini Stonewold
  - Purple: Richmond 10 Slate, MockBond Richmond 10 Slate, Saxon 10 Slate, Landmark 10 Slate and DuoPlain

- For the tile course immediately above a sprocket, it is necessary to use the next colour up i.e. instead of Purple use Gold, instead of Gold use Light Orange, instead of Light Orange use Light Blue, instead of Light Blue use Red. For sprockets on a roof using the Red clip, a special Black clip is available

### PERFORMANCE

- Up to 40% quicker to install than traditional nailed clips
- Suitable for all exposure zones under BS 5534:2014
- Rustproof and made to last the lifetime of the roof
- Quickest ever clip to install
- Storm-proof



### GUIDANCE NOTES

- Hook clip over tile interlock and then push under batten.
- Can only be used with 50 x 25mm tiling battens.
- When used on roofs with counterbattens they must be 15mm high.

### COMPONENTS

Material	Stainless Steel
Box Quantity	500



## HIP END CAP

Hip End Caps are the new way to complete a dry hip installation. Cost-effective and quick-to-install, Hip End Caps are compatible with all Redland dry hip systems providing a neat, colour-matched finish to the hip end.



### FEATURES

- Available in both Universal Angle and Third Round profiles
- Available in Black and Terracotta. Third Round additionally available in Brown
- Quick and easy to install
- Lightweight, high-impact construction

### COMPATIBILITY

- Third Round Hip End Cap designed for use with Rosemary clay and Redland concrete hip tiles or equivalent hip tile profiles
- Universal Angle Hip End Cap designed for use with both concrete and clay universal angle hip tiles
- Colour matched to suit most hip tiles

### COMPONENTS

Material	High impact Polystyrene
----------	-------------------------

## RIDGE END CAP

Ridge End Caps are the easy way to complete a dry ridge installation. Cost-effective and quick-to-install, Ridge End Caps are designed to work seamlessly with Redland dry verge systems to give a neat, weathertight, colour-matched aesthetically pleasing finish to a roof system.



### FEATURES

- Available in Universal Angle and Half Round designs
- Quick and easy to install
- Maintenance-free
- Complies with NHBC Guidelines for mechanical fixing

### COMPATIBILITY

- Colour match to Rapid Verge units (Slate Grey, Rust) and our Clay Universal Angle Ridge Tiles (Black and Terracotta)
- Half Round Ridge End Cap compatible for use with Rosemary clay and Redland concrete half round ridge tiles or equivalent ridge tile profiles
- Universal Angle Ridge End Cap compatible for use with Redland concrete and clay universal angle ridge tiles or equivalent ridge tile profiles

### GUIDANCE NOTES

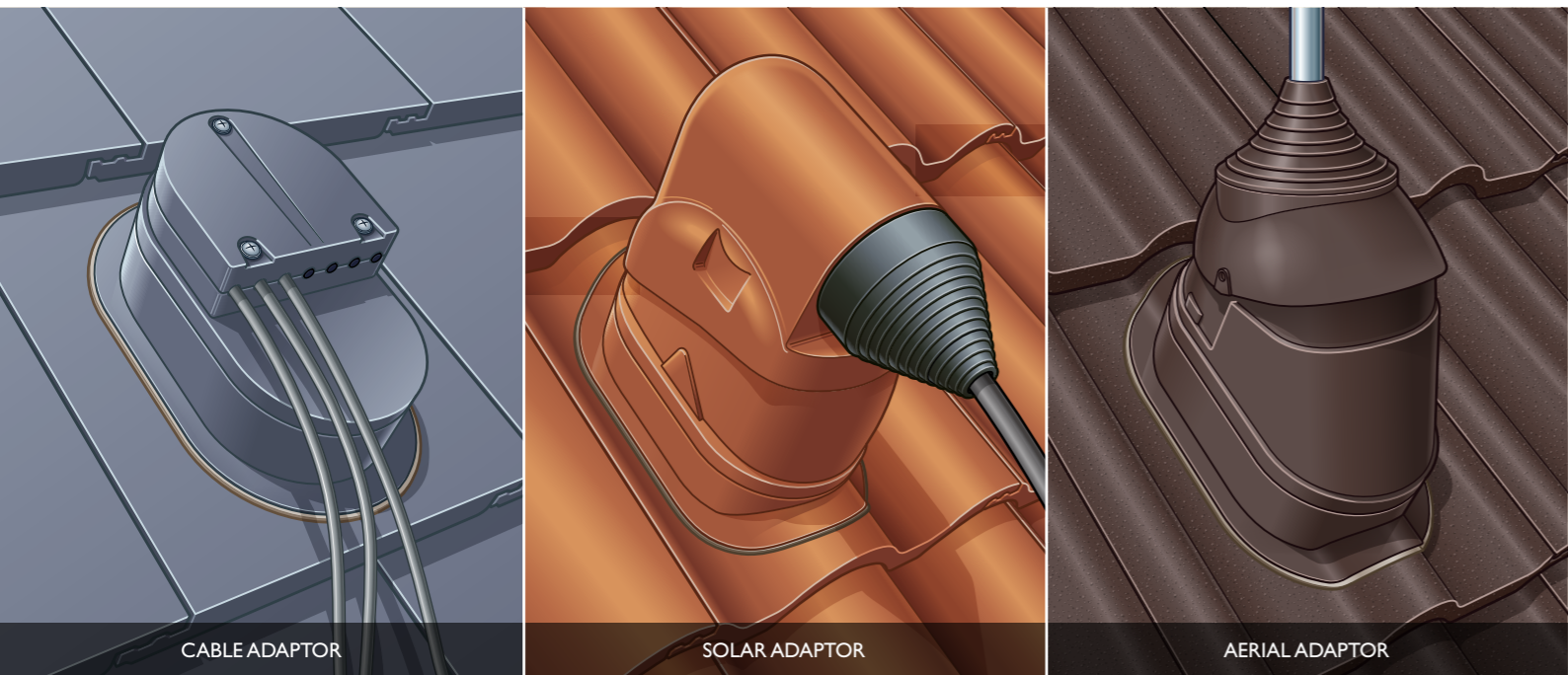
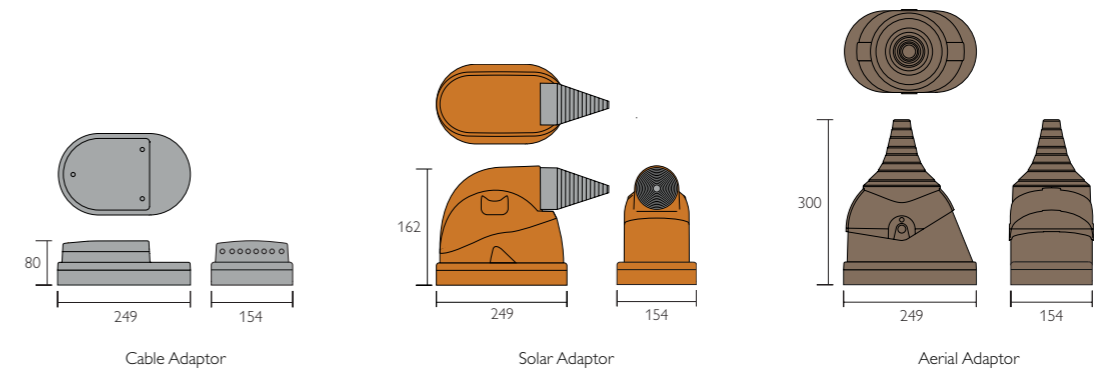
- Note: When the Half Round End Cap (9772) is used with Rosemary Clay Half Round Ridge tiles a small part of the lower edge of the clay ridge tile is left exposed; this does not affect the technical performance of the End Cap.

### COMPONENTS

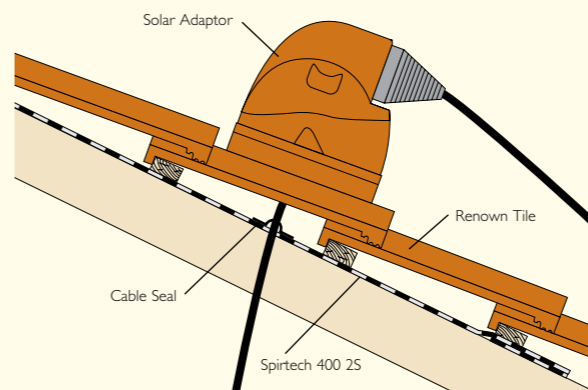
Material	UV-stable Polypropylene
----------	-------------------------

# OUTLET ADAPTORS

A range of modular Outlet Adaptors, that can be combined with Redland interlocking concrete tiles to give a great fit and match to the rest of the tiles, giving peace of mind, a tidy look and a weathertight roof.



## SOLAR ADAPTOR (RENOWN)



## GUIDANCE NOTES

- The Cable Adaptor comes in two sections, with a foam strip to seal the cables and a blanking strip to close any holes that are not used. The assembly is secured with three screws.
- The Solar Adaptor is sealed using the rubber gasket, which can be cut to fit the size of the cable or pipe being used. The adaptor can accommodate up to 70mm diameter cables.
- The Aerial Adaptor comes in two parts. The lower part can be rotated 180° to allow for a different range of roof pitches. The upper part snaps onto the lower part and is adjusted to the vertical. The top of the upper part can be cut to suit different mounting pole diameters.
- Cable Seals should be used wherever the underlay is penetrated. They maintain the integrity of the roof system and prevent any water on the underlay entering the roof space. They are available in a range of sizes to suit different cable/pipe sizes and should always be installed in a diamond orientation.

## COMPONENTS

MATERIAL	
Outlet Base	Concrete
Outlet Adaptor	PVC

## ACCESSORIES

- Cable Seal

## FEATURES

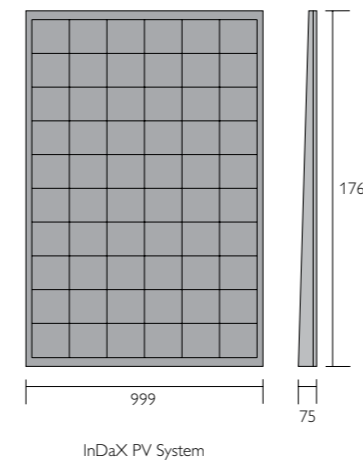
- Three-part system comprising of:
  - Outlet Base Tile to match the other tiles on the roof
  - Cable Adaptor, Solar Adaptor or Aerial Adaptor depending on application
  - Cable Seal to ensure the integrity of the underlay
- Fits surrounding tiles perfectly and matches tile colour
- Easy to use
- Secure fixing system

## COMPATIBILITY

- Outlet Base Tiles are available for the following tiles in all available colours: Landmark Double Pantile, Landmark Double Roman, Grovebury, 50 Double Roman, Regent, Renown, Stonewold II, Saxon 10 Slate, Landmark 10 Slate, Richmond 10 Slate, MockBond Richmond 10 Slate, Mini Stonewold, and MockBond Mini Stonewold
- Cable, Solar and Aerial Adaptors are available in the following colours: Grey, Terracotta and Brown
- Cable Seals are available in the following sizes: 8-12mm, 15-22mm and 25-32mm

## PERFORMANCE

- **Cable Outlet Adaptors** – the perfect solution for passing cables into the roof space whether they are from solar PV panels, TV aerials or satellite dishes. They can hold up to 8 separate cables with each held securely in place and sealed against water penetration with a foam seal
- **Solar Outlet Adaptors** – designed for larger cables or pipes, such as those for a solar thermal panel. These cables and pipes are less flexible, so the assembly has plenty of space to allow for this
- **Aerial Outlet Adaptors** – can be used to allow aerials, satellite dishes and other roof mounted items to be attached through to the roof space for when there is no suitable alternative external fixing point. The adaptor provides a weathertight seal around the mounting pole and maintains the integrity of the roof covering



## INDAX PV SYSTEM

Based on proven crystalline technology, the fourth generation of InDaX photovoltaic integrated modules fulfils two functions: clean, solar electricity generation and a secure roof covering. The low system height, as the panel sits in line with the surrounding tiles, creates an improved aesthetic and weathertight system.

### FEATURES

- Low overall system height with modules mounted in attractive black coated aluminium framing
- Safe, flexible and quick assembly
- Wide pitch range capability
- Maximum energy yield
- Weathertight and high wind uplift resistance
- Fully MCS and BBA certified, FIT-compliant
- 25-year power output guarantee

### COMPATIBILITY

- Compatible with all Redland tiles and slates and similar profiles

### PERFORMANCE

- The InDaX PV System can be installed on roofs with pitches between 15° and 65°
- Modules are laid in arrays and mounted in specially designed framing that optimises the ventilation at the rear of each module and thereby maximises the power output. Holes in the eaves profile allows condensate to drain away
- InDaX modules fulfil the same protective functions as roof tiles, i.e. weathertightness and resistance to wind uplift. Modules can withstand loads up to 550kg/m<sup>2</sup>. High quality flashings from the roof window industry are used
- InDaX PV System is certified to MCS 005 and MCS 012 covering wind uplift resistance, weathertightness and external fire resistance
- Redland guarantees that during the first year of operation the module power output will be at least 96.5% of the rated power output. From year 2 to 25, the manufacturer guarantees that the module power output will reduce by no more than 0.6% per year of the rated power output, such that by the end of the 25th year of operation, the modules will still provide a minimum power output of 82% compared to the rated power output

Power Output	255Wp
Solar Cells per Module	60
Cell Type	Polycrystalline
Cell Dimensions	156 x 156mm
Front Panel	Tempered Solar Glass
Backside Panel	Laminated Thermoplastic
Framing	Black Anodised Aluminium
Overall Dimensions	1769 x 999mm
Installed Dimensions (visible)	1705 x 999mm
Thickness	75mm
Weight	21.5kg (approx)
Laid Weight	2.1kg/m <sup>2</sup> (approx)

### GUIDANCE NOTES

- Modules can be installed from left to right or right to left and can be installed in either rows or columns. This flexibility, along with a minimum number of parts and the low system weight, means the installation can be carried out simply and quickly. Modules are installed from top to bottom ensuring maximum safety during installation. Separate drainage channels overcome any unevenness in the roof structure.

### COMPONENTS

- A Basic Set must always be used. The Basic Set comprises of a 2 x 2 module array and all framings and flashings to fit.
- For larger module arrays, extension sets are used (horizontal and/or vertical) along with additional drainage channels and head clamps as necessary.

APPROVED PRODUCT



# ORNAMENTAL TILES, RIDGES AND FINIALS

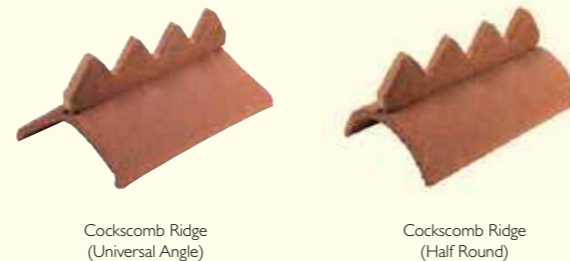
With decorative effects being incorporated more frequently into roof designs, our ornamental tiles come in all our clay and concrete plain tile colours.



Redland offers three concrete ornamental ridges and four finials for both Universal Angle and Half Round Ridges, designed to replicate the most popular ornamental features found within the built environment.

## KEY ADVANTAGES

- Ornamental Ridges and Finials are fully compatible with all our ridge fixing systems
- Club Tiles have a guaranteed performance in all weather conditions down to 40° pitch



Ornamental Ridges	Product Codes	Overall Size (L x W x H mm)	Height of Crest (mm)	Weight (kg)
<b>Cockscomb Ridge</b>				
Universal Angle Ridge	7468	450 x 259 x 206	100	7.7
Universal Angle Ridge Block-End	7538	450 x 259 x 330	100	9.6
Half Round Ridge	7458	450 x 256 x 198	100	7.6
Half Round Ridge Block-End	7540	450 x 256 x 315	100	8.8
<b>Three Hole Crested Ridge</b>				
Universal Angle Ridge	7462	450 x 259 x 256	150	8.5
Universal Angle Ridge Block-End	7558	450 x 259 x 380	150	10.4
Half Round Ridge	7455	450 x 256 x 248	150	8.4
Half Round Ridge Block-End	7560	450 x 256 x 370	150	9.6
<b>Fleur-de-Lys Ridge</b>				
Universal Angle Ridge	7467	450 x 259 x 256	150	8.1
Universal Angle Ridge Block-End	7568	450 x 259 x 380	150	10.0
Half Round Ridge	7457	450 x 256 x 248	150	8.0
Half Round Ridge Block-End	7570	450 x 256 x 370	150	9.2
Finials	Product Codes	Overall Size (L x W x H mm)	Height of Finial (mm)	Weight (kg)
<b>Scroll</b>				
Universal Angle Ridge	7529	300 x 259 x 306	200	8.5
Universal Angle Ridge Block-End	7530	300 x 259 x 430	200	12.8
Half Round Ridge	7527	300 x 256 x 298	200	8.1
Half Round Ridge Block-End	7528	300 x 256 x 415	200	11.6
<b>Short Ball Top</b>				
Universal Angle Ridge	7485	300 x 259 x 376	270	7.4
Universal Angle Ridge Block-End	7487	300 x 259 x 500	270	11.7
Half Round Ridge	7481	300 x 256 x 368	270	7.0
Half Round Ridge Block-End	7483	300 x 256 x 485	270	10.5
<b>Tall Ball Top</b>				
Universal Angle Ridge	7486	300 x 259 x 476	370	7.8
Universal Angle Ridge Block-End	7488	300 x 259 x 600	370	12.3
Half Round Ridge	7482	300 x 256 x 468	370	7.4
Half Round Ridge Block-End	7484	300 x 256 x 585	370	10.9
<b>Fleur-de-Lys</b>				
Universal Angle Ridge	7491	300 x 259 x 526	420	7.8
Universal Angle Ridge Block-End	7492	300 x 259 x 650	420	12.1
Half Round Ridge	7489	300 x 256 x 518	420	7.4
Half Round Ridge Block-End	7490	300 x 256 x 635	420	10.9

Guidance Notes: Fixings – all Ornamental Ridges and Finials should be fixed using 100mm Stainless Steel woodscrews

## ORNAMENTAL TILES





## PRODUCT CODES – SLATES

Product codes are given with dimensions below in small text. All dimensions are in mm (unless stated) in the order: length, width and height (where applicable).

For fittings colour range availability refer to table on page 73.



### VENTILATION TILES

	Cambrian	Saxon 10	Landmark 10	Richmond 10/ MockBond Richmond 10	Stonewold II	Mini Stonewold/ MockBond Mini Stonewold	Natural Slate
RedLine Vent Tile with Underlay Seal RedLine Vent Flexible Pipe	-	9141	9141	9141	-	9118	-
	-	9172	9172	9172	-	9172	-
Natural Slate Standard Vent Tile	-	-	-	-	-	-	9414
4.5k ThruVent Tile with Underlay Seal Flexible Pipe (75 to 100mm)	7705	-	-	-	-	-	-
8.8k ThruVent Tile with Underlay Seal Flexible Pipe (100 to 100mm)	9188	-	-	-	-	-	9188
	-	7944	7945	7943	7934	7935	-
	-	9172	9172	9172	9172	9172	-
Rapid Roof Vent Tile Rapid Roof Vent Adaptor	-	-	-	-	-	9124	-
	-	-	-	-	-	9791	-
Natural Slate Hi-Capacity Vent Tile Hi-Flow ThruVent Tile with Underlay Seal	-	-	-	-	-	-	9416
	7349	-	-	-	-	-	-

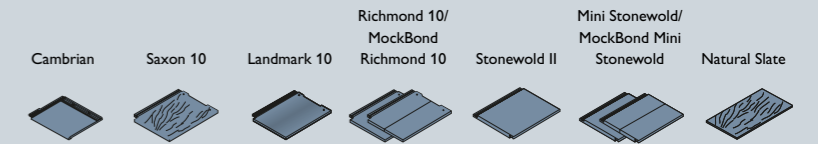
### FIXING

Slate Nails (Alum. Alloy)	-	9334 45 x 3	9334 45 x 3	9334 45 x 3	-	9338 50 x 3.35	-
Slate Nails (Stainless Steel)	-	9350 45 x 3.35*	9350 45 x 3.35*	9350 45 x 3.35*	-	-	-
Natural Slate Nails (Copper)	-	-	-	-	-	-	9417 30 x 3
Eaves Clip	9192 <sup>#</sup> (inc. nails)	9293	9293	9293	9296	9186	-
Eaves Clip Nails (Alum. Alloy)	-	9338 50 x 3.35	9338 50 x 3.35	9338 50 x 3.35	9338 50 x 3.35	9338 50 x 3.35	-
Slate Clip (Alum. Alloy)	9196 (inc. nails)	-	-	-	9240 (inc. nails)	-	-
Verge Clip (Stainless Steel)	9193 <sup>#</sup> (inc. nails)	9481	9481	9481	9297	9529	-
Double Battening Clip (Alum. Alloy)	-	-	-	-	9204 40 x 2.65	-	-
Storm Clip	-	-	-	-	-	9530	-
Kro-Clip	9142	9142	9142	9142	9142	9142	9142
Innofix Clip	-	9825	9825	9825	-	9824	-

### BEDDED HIP AND RIDGE MECHANICAL FIXING

Mortar Bedded Fixing Kit	9314	9314	9314	9314	9314	9314	9314
--------------------------	------	------	------	------	------	------	------

\* Stainless Steel ring shanked



### OTHER ACCESSORIES

Rapid Roof Putty Rapid Roof Paint	-	9155	9155	9155	9155	9155	-
	-	9232	-	9232	-	9232	-
Cable Outlet Adaptor Solar Outlet Adaptor Aerial Outlet Adaptor	-	9260/9262	9261/9262	9259/9262	9253/9262	9255/9262	-
	-	9260/9263	9261/9263	9259/9263	9253/9263	9255/9263	-
	-	9260/9264	9261/9264	9259/9264	9253/9264	9255/9264	-

## FITTINGS COLOUR RANGE – SLATES

	11 Red	30 Slate Grey	34 Terracotta	35 Rustic Brown	36 Tudor Brown	47 Brecon Grey	63 Black	64 Blue	77 Charcoal Grey
Universal Angle Hip	•	•	•	•	•	•	•	•	•
Universal Angle Block-End Hip	•	•	•	•	•	•	•	•	•
Universal Angle Mitred Hip Block-End	-	•	•	-	-	-	-	-	-
Universal Angle Ridge	•	•	•	•	•	•	•	•	•
Universal Angle Block-End Ridge	•	•	•	•	•	•	•	•	•
Universal Angle Ridge Vent Terminal	•	•	•	•	•	•	•	•	•
Universal Angle Gas Flue Ridge Terminal	-	•	•	-	•	-	-	-	-
Universal Angle Cockscomb Ridge	-	-	•	-	-	-	-	-	-
Universal Angle Cockscomb Block-End Ridge	-	-	•	-	-	-	-	-	-
Universal Angle 3-Hole Crested Ridge	-	-	•	-	-	-	-	-	-
Universal Angle 3-Hole Crested Block-End Ridge	-	-	•	-	-	-	-	-	-
Universal Angle Fleur-de-Lys Ridge	-	-	•	-	-	-	-	-	-
Universal Angle Fleur-de-Lys Block-End Ridge	-	-	•	-	-	-	-	-	-
Universal Angle Scroll Finial	-	-	•	-	-	-	-	-	-
Universal Angle Block-End Scroll Finial	-	-	•	-	-	-	-	-	-
Universal Angle Short Ball Top Finial	-	-	•	-	-	-	-	-	-
Universal Angle Block-End Short Ball Top Finial	-	-	•	-	-	-	-	-	-
Universal Angle Tall Ball Top Finial	-	-	•	-	-	-	-	-	-
Universal Angle Block-End Tall Ball Top Finial	-	-	•	-	-	-	-	-	-
Universal Angle Fleur-de-Lys Finial	-	-	•	-	-	-	-	-	-
Universal Angle Block-End Fleur-de-Lys Finial	-	-	•	-	-	-	-	-	-
Universal Angle Monoridge	•	•	•	•	•	•	•	•	•
Universal Angle Block-End Monoridge LH	•	•	•	•	•	•	•	•	•
Universal Angle Block-End Monoridge RH	•	•	•	•	•	•	•	•	•
Hi-Pitch Universal Angle Ridge	-	•	•	-	•	-	-	-	-
Plain Angle Ridge/Hip	-	•	•	-	•	-	-	-	-
Valley Trough Tile	-	•	-	-	-	-	-	-	-







# PRODUCT CODES – PROFILE TILES

Product codes are given with dimensions below in small text. All dimensions are in mm (unless stated) in the order: length, width and height (where applicable).

For fittings colour range availability refer to table on page 82.



TILES		5901 418 x 332	5201 418 x 330	5741 418 x 332	2201 418 x 330	3401 418 x 332	1501 418 x 330	5121 381 x 227	1101 382 x 226	5921 411 x 265	5991 343 x 242	5981 315 x 230
Standard Tile (shown above)												
UNDERLAYS												
	Spirtech 400 2S vapour permeable underlay	9202 50m x 1.5m	9202 50m x 1.5m	9202 50m x 1.5m	9202 50m x 1.5m	9202 50m x 1.5m	9202 50m x 1.5m	9202 50m x 1.5m	9202 50m x 1.5m	9202 50m x 1.5m	9202 50m x 1.5m	9202 50m x 1.5m
EAVES SYSTEMS												
	RedVent Eaves Ventilation System 350-450mm RedVent Eaves Ventilation System 450-600mm Extension Trays 350-450mm Extension Trays 450-600mm Rapid Eaves Vent 2-in-1 Tray Rapid Eaves Vent Rafter Roll Eaves Comb Filler	9189 9190 9498 9499 9988 9984 9965	9189 9190 9498 9499 9988 9984 -	9189 9190 9498 9499 9988 9984 9965	9189 9190 9498 9499 9988 9984 -	9189 9190 9498 9499 9988 9984 9965	9189 9190 9498 9499 9988 9984 -	9189 9190 9498 9499 9988 9984 9965	9189 9190 9498 9499 9988 9984 9965	9189 9190 9498 9499 9988 9984 9965	9189 9190 9498 9499 9988 9984 9965	9189 9190 9498 9499 9988 9984 -
	RedVent 25 Over-Fascia Vent Underlay Support Tray	9593 9076	9593 9076	9593 9076	9593 9076	9593 9076	9593 9076	9593 9076	9593 9076	9593 9076	9593 9076	9593 9076
VERGE SYSTEMS												
	Cloaked Verge System (left/right-hand)	8333/8334	8343/8344	7273/7274	7275/7276	7271/7272	7277/7278	-	-	5927/5928	-	-
	Left-hand Verge Tile	-	-	-	-	-	-	-	-	5926	5992	5982
	Half Tile/Two-Thirds Tile	8331 418 x 182	8341 418 x 182	7770 418 x 182	7730 418 x 182	7750 418 x 182	7710 418 x 182	-	-	5929	-	-
	Ambi-Dry Verge System Ambi-Dry Eaves/Ridge Rapid Verge Rapid Verge Eaves/Ridge	9550 9552 9601 9602	9550 9552 9601 9602	9550 9552 9601 9602	9550 9552 9601 9602	9550 9552 9601 9602	9550 9552 9601 9602	9692 9693 9701 9702	9692 9693 9701 9702	- - - -	- - - -	- - - -
HIP SYSTEMS												
	Dry Hip System Continuous Hip System Third Round Hip/Ridge Junction Uni-Vent Rapid Ridge/Hip System Rapid Hip Support Tray	9046 9028 9521 9313 9069	9046 9028 9521 9313 9069	9046 9028 9521 9313 9069	9046 9028 9521 9313 9069	9046 9028 9521 9313 9069	9046 9028 9521 9313 9069	- 9502 9521 9313 9069	- 9502 9521 9313 9069	- 9870 9521 - -	- - - - -	- - 9521 9313 9069
	Third Round Hip (without/with nail holes) – Concrete Third Round Hip (without/with nail holes) – Clay Hip Iron	8312/8311 450 x 233 x 70 - 9258	8312/8311 450 x 233 x 70 - 9258	8122/7411 450 x 233 x 70 - 9258	8122/7411 450 x 233 x 70 - 9258	8122/7411 450 x 233 x 70 - 9258	8122/7411 450 x 233 x 70 - 9258	8122/7411 450 x 233 x 70 - 9258	8122/7411 450 x 233 x 70 - 9258	8312/8311 450 x 233 x 70 - 9258	- - 9258	8312/8311 450 x 233 x 70 8454/8455 300 x 233 x 70 9528
	Third Round Block-End Hip	8317 450 x 233 x 70	8317 450 x 233 x 70	7784 450 x 233 x 70	7784 450 x 233 x 70	7784 450 x 233 x 70	7784 450 x 233 x 70	7784 450 x 233 x 70	7784 450 x 233 x 70	8317 450 x 233 x 70	-	-
VALLEY SYSTEMS												
	125 GRP Valley Dry Valley	9595 9574	9595 9574	9595 9574	9595 9574	9595 9574	9595 9574	9595 9574	9595 9574	9595 9574	9595 9574	9595 9574
ABUTMENT SYSTEMS												
	Top Edge Abutment Ventilation System Wakaflex Rapid Flashing (5m/10m x 280mm) Wakaflex Rapid Flashing (5m x 370mm) Wakaflex Rapid Flashing (5m x 180mm) Wakaflex Rapid Flashing (5m x 560mm) Wakaflex Rapid Flashing (5m x 140mm) Wakaflex Rapid Flashing Strip Wakaflex Rapid Flashing Sealant Wakaflex Rapid Flashing M-Glue Bonding Gutter – High Profile	9541 9955/9956 9957 9960 9959 9953 9998 9995 9929 9578	9543 9955/9956 9957 9960 9959 9953 9998 9995 9929 9578	9541 9955/9956 9957 9960 9959 9953 9998 9995 9929 9578	9543 9955/9956 9957 9960 9959 9953 9998 9995 9929 9578	9542 9955/9956 9957 9960 9959 9953 9998 9995 9929 9578	9544 9955/9956 9957 9960 9959 9953 9998 9995 9929 9578	- 9955/9956 9957 9960 9959 9953 9998 9995 9929 9578	- 9955/9956 9957 9960 9959 9953 9998 9995 9929 9578	- 9955/9956 9957 9960 9959 9953 9998 9995 9929 9578	- 9955/9956 9957 9960 9959 9953 9998 9995 9929 9578	- 9955/9956 9957 9960 9959 9953 9998 9995 9929 9578

# PRODUCT CODES – PROFILE TILES

Product codes are given with dimensions below in small text. All dimensions are in mm (unless stated) in the order: length, width and height (where applicable).

For fittings colour range availability refer to table on page 82.



	Landmark Double Pantile	Landmark Double Roman	Grovebury	50 Double Roman	Regent	Renown	Fenland Pantile	Redland 49	Cathedral Clay Pantile	Old Hollow Clay Pantile	Postel Clay Tile
<b>RIDGE SYSTEMS</b>											
DryVent Ridge System	9094	9095	9094	9095	9096	9097	-	-	-	-	-
Uni-Vent Rapid Ridge/Hip Continuous Ridge System	9313 9304	9313 9304	9313 9304	9313 9304	9313 9304	9313 9304	9313 9304	9313 9304	- 9304	- -	9313 9304
Ridge Vent Terminal	8310	8310	7253	7253	7253	7253	7253	7253	8310	-	8486
Ridge Vent Terminal Adaptor Flexible Pipe (100 to 100mm)	450 x 256 x 150 9175 9172	450 x 256 x 150 9175 9172	450 x 256 x 150 9175 9172	450 x 256 x 150 9175 9172	450 x 256 x 150 9175 9172	450 x 256 x 150 9175 9172	450 x 256 x 150 9175 9172	450 x 256 x 150 9175 9172	450 x 256 x 150 9175 9172	- -	450 x 256 x 150 9175 9172
Gas Flue Ridge Terminals	-	-	7241	7241	7241	7241	7241	7241	-	-	-
Gas Flue Extension Adaptor Gas Flue Blanking Plates	-	-	450 x 256 X 176 9143 9098	450 x 256 X 176 9143 9098	450 x 256 X 176 9143 9098	450 x 256 X 176 9143 9098	450 x 256 X 176 9143 9098	450 x 256 X 176 9143 9098	- -	- -	- -
Half Round Ridge	8302	8302	8101	8101	8101	8101	8101	8101	-	-	8450
Capped Half Round Ridge	450 x 256 X 98 -	450 x 256 X 98 -	450 x 256 X 98 -	450 x 256 X 98 -	450 x 256 X 98 -	450 x 256 X 98 -	450 x 256 X 98 -	450 x 256 X 98 -	7831 378 x 275 X 125	7835 378 x 275 X 125	300 x 256 X 128 -
Half Round Ridge Block-End	8303	8303	7519	7519	7519	7519	7519	7519	-	-	-
Capped Half Round Ridge Block-End	450 x 256 X 98 -	450 x 256 X 98 -	450 x 256 X 98 -	450 x 256 X 98 -	450 x 256 X 98 -	450 x 256 X 98 -	450 x 256 X 98 -	450 x 256 X 98 -	7832/7833 308 x 275 X 200	-	-
Half Round Ridge End Cap	9772	9772	9772	9772	9772	9772	9772	9772	-	-	-
DryVent Monoridge System	9080	9082	9080	9082	9079	9081	-	-	-	-	-
Half Round Monoridge	8304	8304	7203	7203	7203	7203	7203	7203	-	-	-
Half Round Block-End Monoridge (left/right-hand)	450 x 154 X 273 8305/8306 450 x 154 X 273	450 x 154 X 273 8305/8306 450 x 154 X 273	450 x 154 X 273 7266/7267 450 x 154 X 273	450 x 154 X 273 7266/7267 450 x 154 X 273	450 x 154 X 273 7266/7267 450 x 154 X 273	450 x 154 X 273 7266/7267 450 x 154 X 273	450 x 154 X 273 7266/7267 450 x 154 X 273	450 x 154 X 273 7266/7267 450 x 154 X 273	- -	- -	- -
Dentil Slip	7173	7172	7173	7172	7174	-	7172	-	7172	7172	-
<b>VENTILATION TILES</b>											
RedLine Vent Tile with Underlay Seal	9114	9117	9114	9117	9115	9116	-	-	-	-	-
4.5k ThruVent Tile with Underlay Seal Flexible Pipe (75 to 100mm)	-	-	-	-	-	-	7328	7334	7830	7834	7845
8.8k ThruVent Tile with Underlay Seal Flexible Pipe (100 to 100mm)	7938	7939	7931	7933	7930	7932	9188	9188	9188	9188	9188
Rapid RoofVent Flexible Pipe	9172	9172	9172	9172	9172	9172	-	9172	-	-	-
Rapid Roof Vents	-	-	9126	9125	-	9127	-	9129	-	-	-
Rapid Roof Vent Adaptor	-	-	9791	9791	-	9791	-	-	-	-	-
<b>FIXING</b>											
Tile Nails	9336 70 x 3.75	9333 60 x 3.35	9336 70 x 3.35	9633 60 x 3.75	9333 75 x 3.75	9338 50 x 3.35	9334 45 x 3.00	9338 50 x 3.35	9634 60 x 2.65*	9638 55 x 2.65*	9350 45 x 3.35*
Eaves Clip	9287 (inc. nails)	9287 (inc. nails)	9287 (inc. nails)	9287 (inc. nails)	9287 (inc. nails)	9286	9186	9527	9178	9178	-
Eaves Clip Nails (Alum. Alloy)	-	-	-	-	-	9338 50 x 3.35	9338 50 x 3.35	9338 50 x 3.35	9338 50 x 3.35	9338 50 x 3.35	-
Tile Clip	9246	9288	9246	9288	9246	9185	9177	9185	9636	9637	-
Tile Clip Nail (Alum. Alloy)	9333 60 x 3.35	9333 60 x 3.35	9333 60 x 3.35	9333 60 x 3.35	9333 60 x 3.35	9333 60 x 3.35	9333 60 x 3.35	9333 60 x 3.35	-	-	-
Verge Clip (left/right-hand)	9121/9298 25 x 2.65 Clout	9297/9121 25 x 2.65 Clout	9121/9298 25 x 2.65 Clout	9297/9121 25 x 2.65 Clout	9121/9298 25 x 2.65 Clout	9297/9297 25 x 2.65 Clout	9148/9149 25 x 2.65 Clout	9297/9297 25 x 2.65 Clout	9632/9633 25 x 2.65 Clout	9639/9640 25 x 2.65 Clout	-
Kro-Clip	9142	9142	9142	9142	9142	9142	9142	9142	9142	9142	9142
Innofix Clip	9821	9822	9821	9822	9821	9823	9821	9823	-	-	-

\* Stainless Steel ring shanked

## PRODUCT CODES – PROFILE TILES

Product codes are given with dimensions below in small text. All dimensions are in mm (unless stated) in the order: length, width and height (where applicable).

For fittings colour range availability refer to table below.



### BEDDED HIP AND RIDGE MECHANICAL FIXING

	Landmark Double Pantile	Landmark Double Roman	Grovebury	50 Double Roman	Regent	Renown	Fenland Pantile	Redland 49	Cathedral Clay Pantile	Old Hollow Clay Pantile	Postel Clay Tile
Mortar Bedded Fixing Kit	9314	9314	9314	9314	9314	9314	9314	9314	9314	-	9314
<b>OTHER ACCESSORIES</b>											
Rapid Roof Putty Rapid Roof Paint	9155 -	9155 -	9155 9232	9155 -	9155 -	9155 -	9155 9232	9155 -	- -	- -	- -
Cable Outlet Adaptor Solar Outlet Adaptor Aerial Outlet Adaptor	9256/9262 9256/9263 9256/9264	9257/9262 9257/9263 9257/9264	9250/9262 9250/9263 9250/9264	9252/9262 9252/9263 9252/9264	9249/9262 9249/9263 9249/9264	9251/9262 9251/9263 9251/9264	- - -	- - -	- - -	- - -	- - -

## FITTINGS COLOUR RANGE – PROFILE TILES

	02 Brown	03 Antique Red	12 Cotswold	30 Slate Grey	34 Terracotta	36 Tudor Brown	43 Terracotta Brindle	44 Brown Brindle	60 Vintage Blue	63 Black	71 Antique	77 Charcoal Grey	78 Rustic Red	80 Terracotta	80 Vintage Red	82 Brindle
Third Round Hip	•	•	•	•	•	•	•	•	•	•	•	•	•	•	•	•
Third Round Block-End Hip	•	•	•	•	•	•	•	•	•	•	•	•	•	•	•	•
Half Round Ridge	•	•	•	•	•	•	•	•	•	•	•	•	•	•	•	•
Half Round Block-End Ridge	•	•	•	•	•	•	•	•	•	•	•	•	•	•	•	•
Half Round Ridge Vent Terminal	•	•	•	•	•	•	•	•	•	•	•	•	•	•	•	•
Half Round Gas Flue Ridge Terminal	•	•	•	•	•	•	•	•	•	•	•	•	•	•	•	•
Half Round Cockscomb Ridge	-	-	-	-	•	-	-	-	-	-	-	-	-	-	-	-
Half Round Cockscomb Block-End Ridge	-	-	-	-	•	-	-	-	-	-	-	-	-	-	-	-
Half Round 3-Hole Crested Ridge	-	-	-	-	•	-	-	-	-	-	-	-	-	-	-	-
Half Round 3-Hole Crested Block-End Ridge	-	-	-	-	•	-	-	-	-	-	-	-	-	-	-	-
Half Round Fleur-de-Lys Ridge	-	-	-	-	•	-	-	-	-	-	-	-	-	-	-	-
Half Round Fleur-de-Lys Block-End Ridge	-	-	-	-	•	-	-	-	-	-	-	-	-	-	-	-
Half Round Scroll Finial	-	-	-	-	•	-	-	-	-	-	-	-	-	-	-	-
Half Round Block-End Scroll Finial	-	-	-	-	•	-	-	-	-	-	-	-	-	-	-	-
Half Round Short Ball Top Finial	-	-	-	-	•	-	-	-	-	-	-	-	-	-	-	-
Half Round Block-End Short Ball Top Finial	-	-	-	-	•	-	-	-	-	-	-	-	-	-	-	-
Half Round Tall Ball Top Finial	-	-	-	-	•	-	-	-	-	-	-	-	-	-	-	-
Half Round Block-End Tall Ball Top Finial	-	-	-	-	•	-	-	-	-	-	-	-	-	-	-	-
Half Round Fleur-de-Lys Finial	-	-	-	-	•	-	-	-	-	-	-	-	-	-	-	-
Half Round Block-End Fleur-de-Lys Finial	-	-	-	-	•	-	-	-	-	-	-	-	-	-	-	-
Half Round Monoridge	•	•	•	•	•	•	•	•	•	•	•	•	•	•	•	•
Half Round Block-End Monoridge LH	•	•	•	•	•	•	•	•	•	•	•	•	•	•	•	•
Half Round Block-End Monoridge RH	•	•	•	•	•	•	•	•	•	•	•	•	•	•	•	•
Valley Trough Tile	-	-	-	•	-	-	-	-	-	-	-	-	-	-	-	-
Dentil Slip	•	•	•	•	•	•	-	-	•	-	-	-	-	-	-	-

Where standards are referenced, compliance is always with the latest version. Drawings shown are diagrammatic and should not be scaled. Refer to CAD drawings in DesignMaster CAD library for specific dimensions. The limitations of printing may mean a slight variation in colour. Please refer to a sample tile for best colour reference. We are committed to continually enhancing and improving our product range. We reserve the right to change product specifications. For the latest information please contact customer service.

Project photographs should not be used as a guide to installation.

Trademarks: The following are United Kingdom trademarks and are registered in the name of Monier Redland Limited or other business units of BMBG: Ambi-Dry, Cambrian, ColourFusion, Craftsman, DuoPlain, Farmhouse, FixMaster, Fontenelle, Grovebury, Heather, Heathland, InDaX, Landmark, Langdale, QuantMaster, Redland, Redland Cambrian, Redland Richmond, Redland Technical Solutions, Redland 49, RedLine, RedVent, Regent, Rosemary, Saxon, SpectMaster, Spiritech, Stonewold, Wakaflex.

[www.redland.co.uk](http://www.redland.co.uk)



### Customer Service

Telephone 03705 601000  
Facsimile 03705 642742  
E-mail [sales.redland@monier.com](mailto:sales.redland@monier.com)

### Technical Solutions

Telephone 03708 702595  
Facsimile 03708 702596  
E-mail [technical.redland@monier.com](mailto:technical.redland@monier.com)



Head Office:  
Monier Redland Ltd,  
Spectrum House, Beehive Ring Road,  
Gatwick, Crawley, West Sussex RH6 0LG